

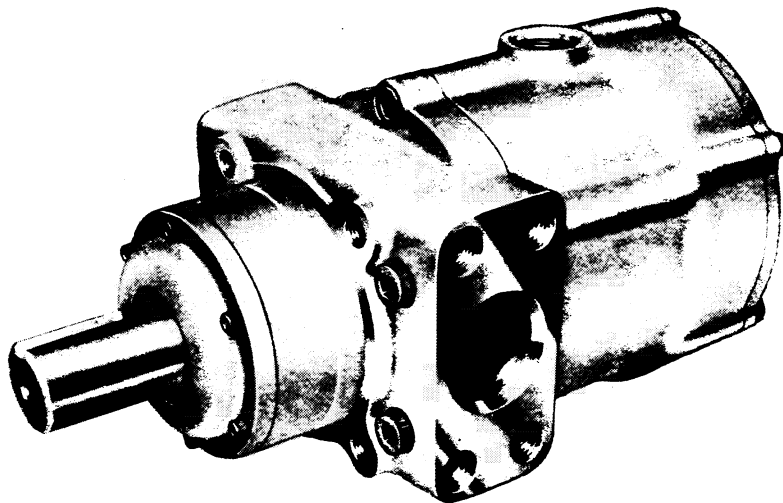
DENISON

Hydraulics

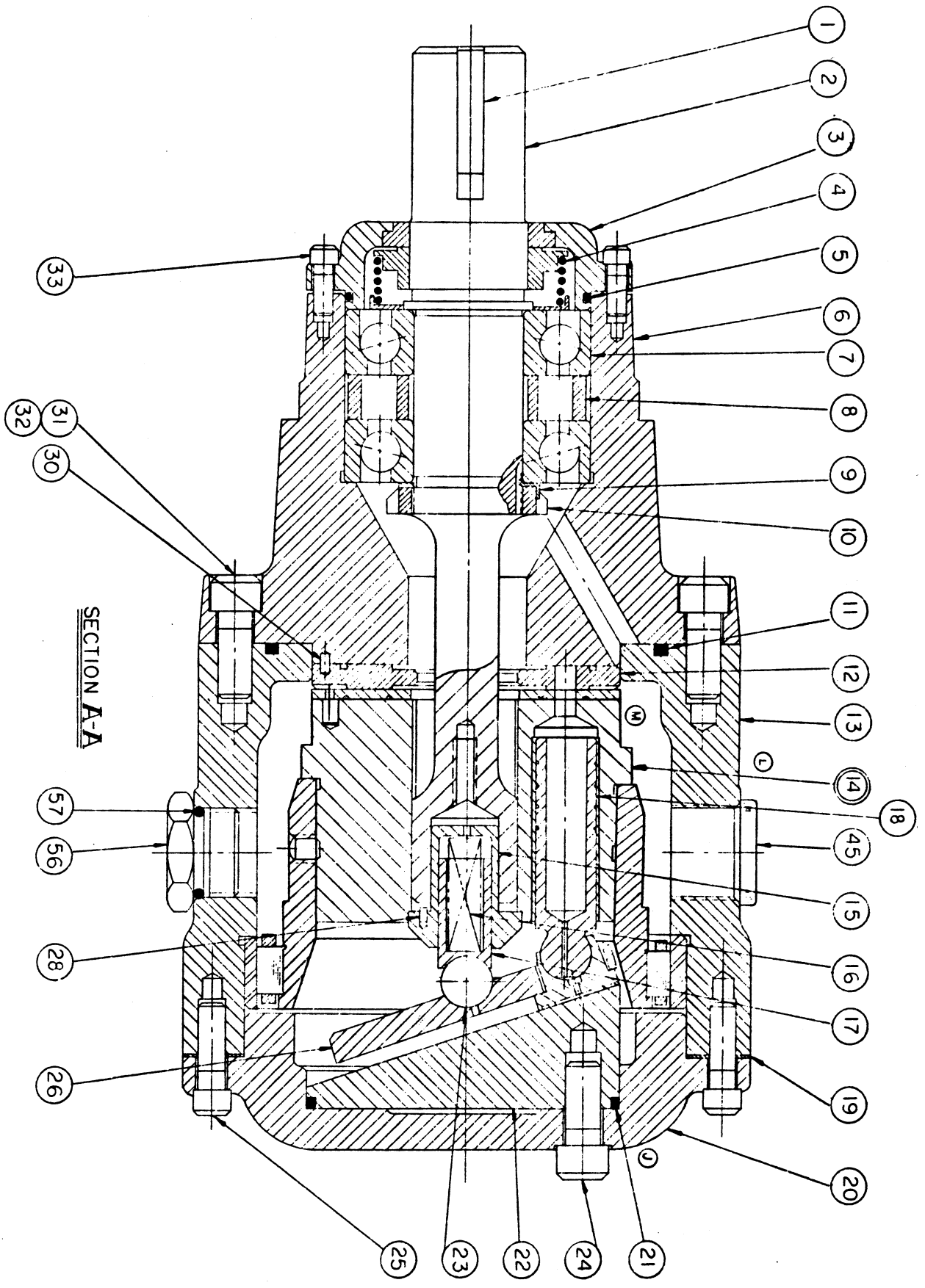
SERVICE LITERATURE

AXIAL PISTON CONSTANT VOLUME PUMPS

**MODEL P1F07
with Spring Hold Down**



REF. NO.	PART NUMBER	DESCRIPTION	QUANTITY
1	035-20101	Key - Shaft	1
2	035-40737	Shaft	1
3	035-40718	Retainer - Shaft Seal	1
4	623-12260	Seal - Mechanical - Shaft	1
5	671-00236	"O" Ring - Seal Retainer	1
6	035-40724	Port Block	1
7	230-20308	Bearing - Shaft (Matched Pair)	1
8	S15-13495	Sub-assembly - Bearing Spacers	1
9	350-01008	Lockwasher - #W-08 - Shaft Bearing	1
10	341-10008	Locknut - #N-08 - Shaft Bearing	1
11	671-00254	"O" Ring - Body	1
12	See Page 4	Port Plate	1
13	035-40720	Body	1
14	See Page 4	Barrel & Bearing Assembly	1
15	035-11818	Retainer - Holddown Spring	1
16	035-22174	Spring - Holddown	1
17	035-13342	Socket - Holddown Spring	1
18	See Page 4	Piston & Shoe Assembly	7
19	035-40751	Gasket - End Cap	1
20	035-40722	End Cap	1
21	See Page 4		1
		<u>5000 PSI</u>	
		<u>3500 PSI</u>	
22	035-13377	Plate - Cam 21.0 GPM @ 1200 RPM	27.3 GPM 1
	035-18691	Plate - Cam 18.3 GPM @ 1200 RPM	23.8 GPM 1
	035-13359	Plate - Cam 15.7 GPM @ 1200 RPM	20.4 GPM 1
	035-12891	Plate - Cam 13.3 GPM @ 1200 RPM	17.3 GPM 1
	035-13965	Plate - Cam 9.4 GPM @ 1200 RPM	12.2 GPM 1
23	201-24001	Ball - 3/4" Dia. - Holddown	1
24	358-20186	SHCS - 1/2-13 UNC X 1-1/4 - Nylock - Cam Plate	1
25	358-16180	SHCS - 3/8-16 UNC X 1-1/4 LG - End Cap	6
26	035-11826	Shoe Retainer	1
28	325-04040	Rollpin - 1/16 Dia. X 1/4 LG - Spring Retainer	1
30	324-21208	Dowel Pin - 3/16 Dia. X 1/2 LG - Port Plate	1
31	358-20180	SHCS - 1/2-13 UNC X 1-1/4 LG - Port Block	2
32	358-20340	SHCS - 1/2-13 UNC X 3-1/2 LG - Port Block	4
33	358-12120	SHCS - 1/4-20 UNC X 3/4 LG - Seal Retainer	6
34	035-12747	Tag - Drain	1 NS
36	035-12808	Tag - Drain	1 NS
37	035-14292	Tag - Inspection	1 NS
38	#2435	Tag - Filling	1 NS
39	035-20643	Plate - Rotation	1 NS
40	035-26011	Conn. - Suction - 2" IPS	1 NS
41	320-10203	Screw - Drive Type "U" - #2-3/16 RD HD - No Slot	6 NS
42	035-41541	Plate - Name	1 NS
43	035-11831	Conn. - Pressure - 1-1/2 IPS	1 NS
44	358-26240	Screw - S.H.C. 3/4-10 NC X 2" LG	8 NS
45	449-00019	Plug W/Gasket - 1-5/16-12 ST THD FOR 1" Tube	1
46	671-00226	Gasket - "O" Ring - 6230-4 - 2" ID X 2-1/4 OD	2 NS
47	449-00008	Plug W/Gasket - 1-1/2" ALUM	1 NS
48	449-00011	Plug W/Gasket - 2" ALUM	1 NS
49	#2464	Tag (MIL-0-6093A Aircraft Oil Only)	1 NS
50	035-13286	Bracket - Mount - High	1 NS
51	035-11980	Bracket - Mount - Low	1 NS
52	035-12036	Flange - Mount	1 NS
53	358-20260	SHCS - 1/2-13 NC X 2-1/4 (For Bracket Mount)	4 NS
54	358-20280	SHCS - 1/2-13 NC X 2-1/2 (For Flange Mount)	4 NS
55	S15-12247	Sub-Assembly - Dust Cover	1 NS
56	488-14164	Plug - AN-814-D-16	1
57	671-00916	"O" Ring	1

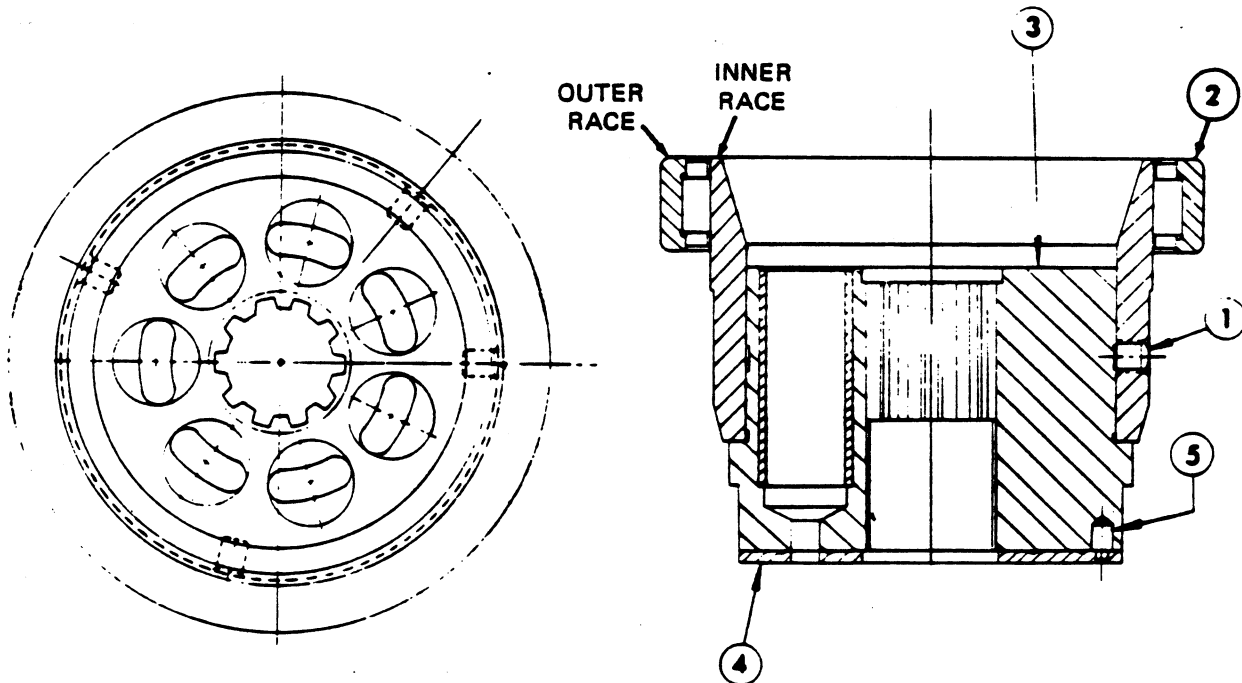


4.05 cu. in. 5000 psi P1F07-020	5.29 cu. in. 3500 psi P1F07-027	Item 12
035-42076	035-43513	Right hand port plate
035-44451	035-43369	Left hand port plate
035-41843	035-42355	Bi-Directional port plate
Item 18		
S15-00511	S15-14665	Piston & Shoe Assy. w/retainer
S15-00512	S15-14608	Piston & Shoe only (7)
035-11826	035-11826	Shoe retainer only (1)
Item 21		
035-29600	671-00244	"O" Ring - Cam Plate Gasket - Cam Plate

BARREL & BEARING ASSEMBLY

No.	Qty.	5.29 Cu. In. 3500 psi P1F07-027 S15-41419	4.06 Cu. In. 5000 psi P1F07-020 S15-41417	Description
1	4	312-35038	312-35038	3/8-24x3/8 Soc. set screws Cup pt. Spot Lok
2	1	035-49652	035-49652	Barrel bearing
3	1	S15-41414	S15-41415	Barrel assy. w/sleeves
4	1	035-70403	035-70402	Face plate
5	2	035-49825	035-49825	Face plate pins

BARREL ASSY.



HÄGGLUNDS DENISON
MEMBER OF THE ASEA-GROUP

HÄGGLUNDS DENISON CORP., 1220 Dublin Road, Columbus, Ohio U.S.A. 43216
Call 1-800-982-0030 for the distributor nearest you