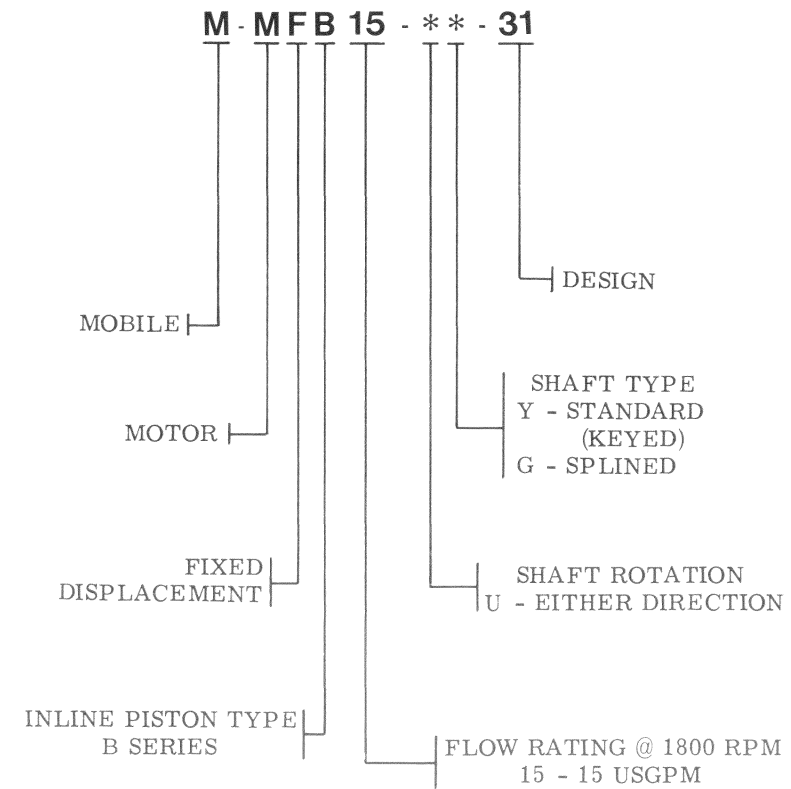
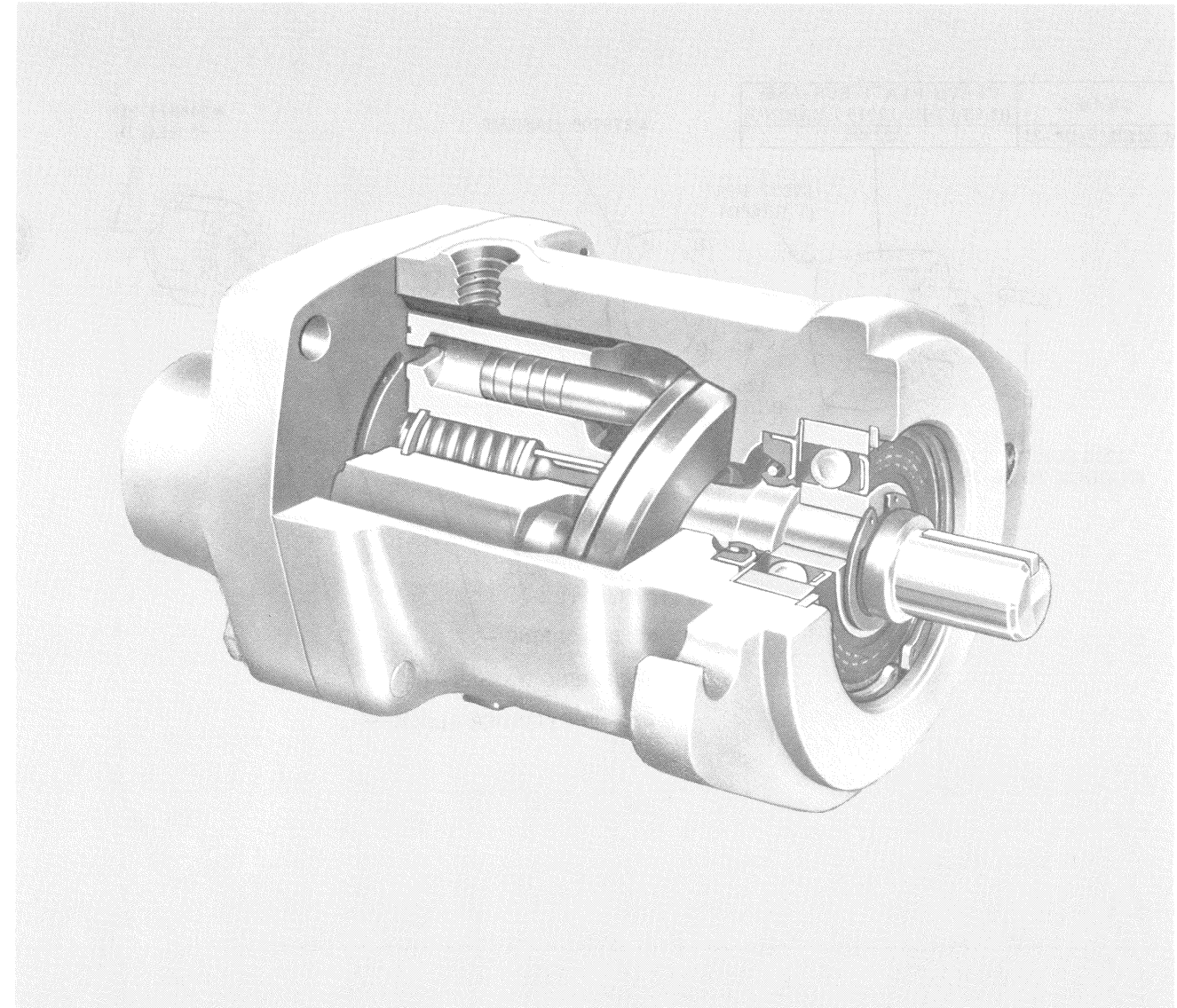


### MODEL CODE BREAKDOWN



## Fixed Inline Piston Motor

M-MFB15-31



For satisfactory service life of these components, use full flow filtration to provide fluid which meets cleanliness code 19/15 or cleaner. Selections from Vickers OFP, OFR, and OFRS series are recommended.

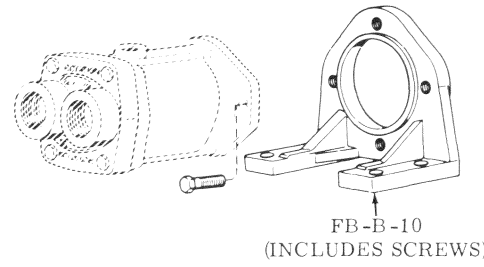
Litho in U. S. A.

Vickers Incorporated  
A TRINOVA Company  
5445 Corporate Drive  
P. O. Box 302  
Troy, Michigan 48007-0302  
U.S.A.

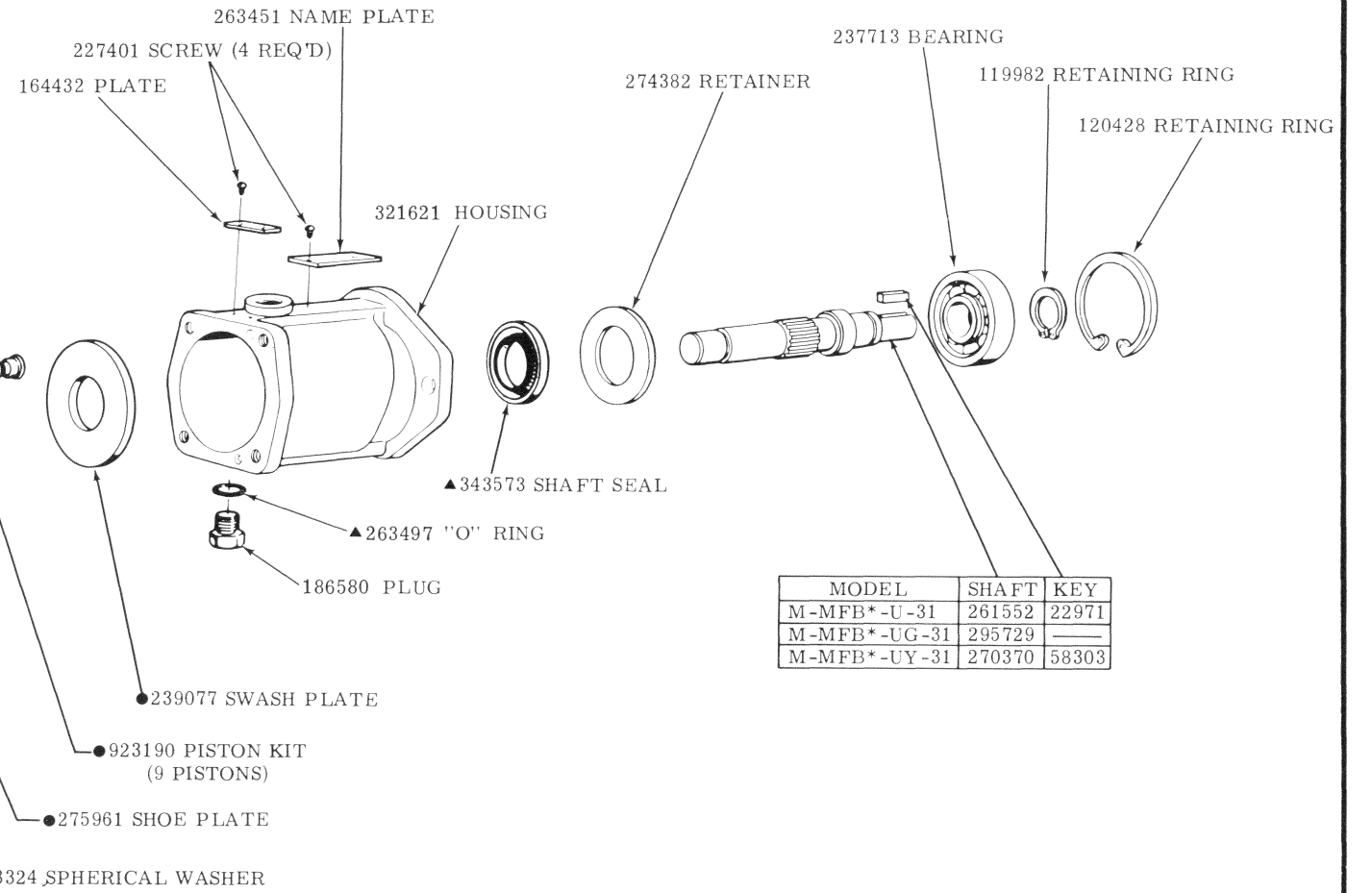
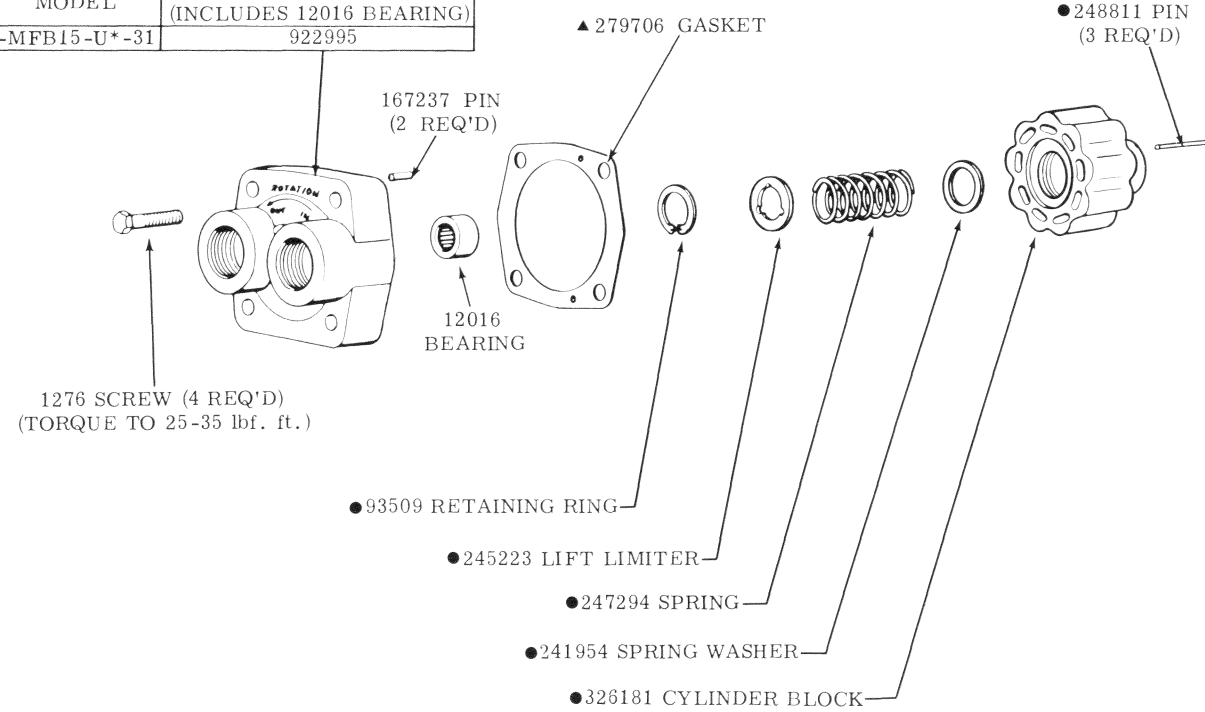
Revised 11-01-85

M-2765-S

FOOT MOUNTING BRACKET  
MODEL M-MFB\*-F\*\*-31



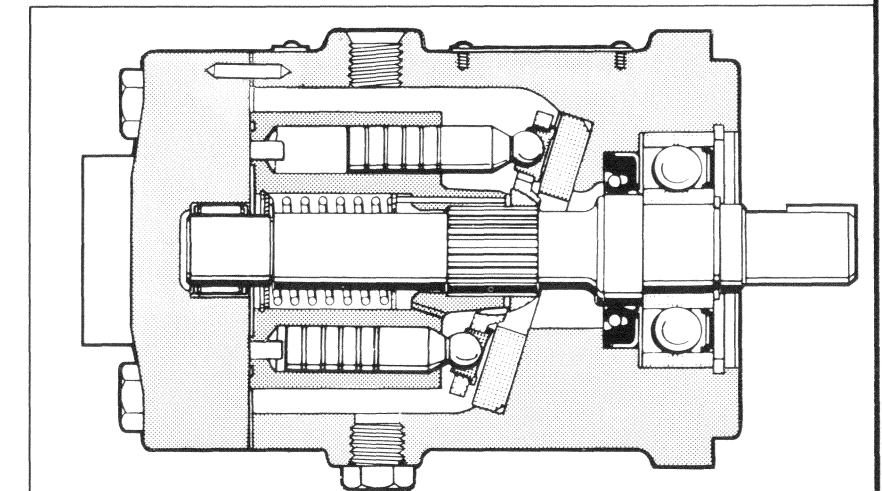
MODEL	VALVE PLATE SUB-ASSY (INCLUDES 12016 BEARING)
M-MFB15-U*-31	922995



MODEL	SHAFT	KEY
M-MFB*-U-31	261552	22971
M-MFB*-UG-31	295729	
M-MFB*-UY-31	270370	58303

● INCLUDED IN  
922996 ROTATING  
GROUP KIT

▲ INCLUDED IN  
919521 SEAL KIT



ASSEMBLY VIEW