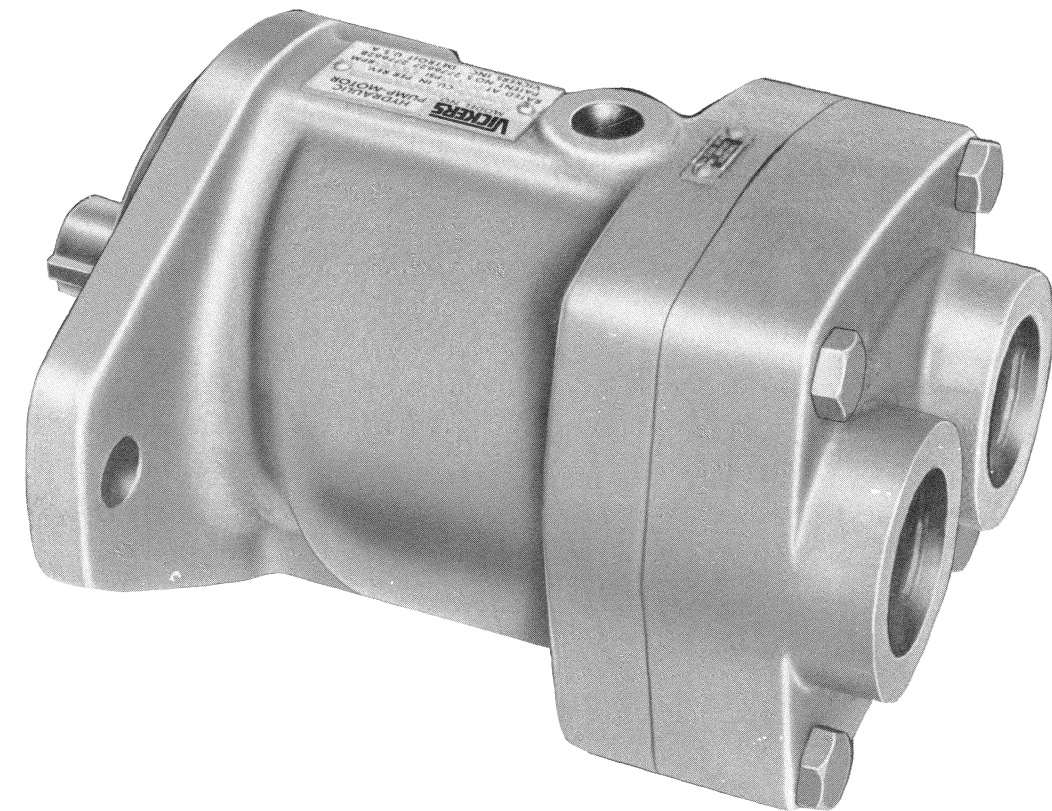
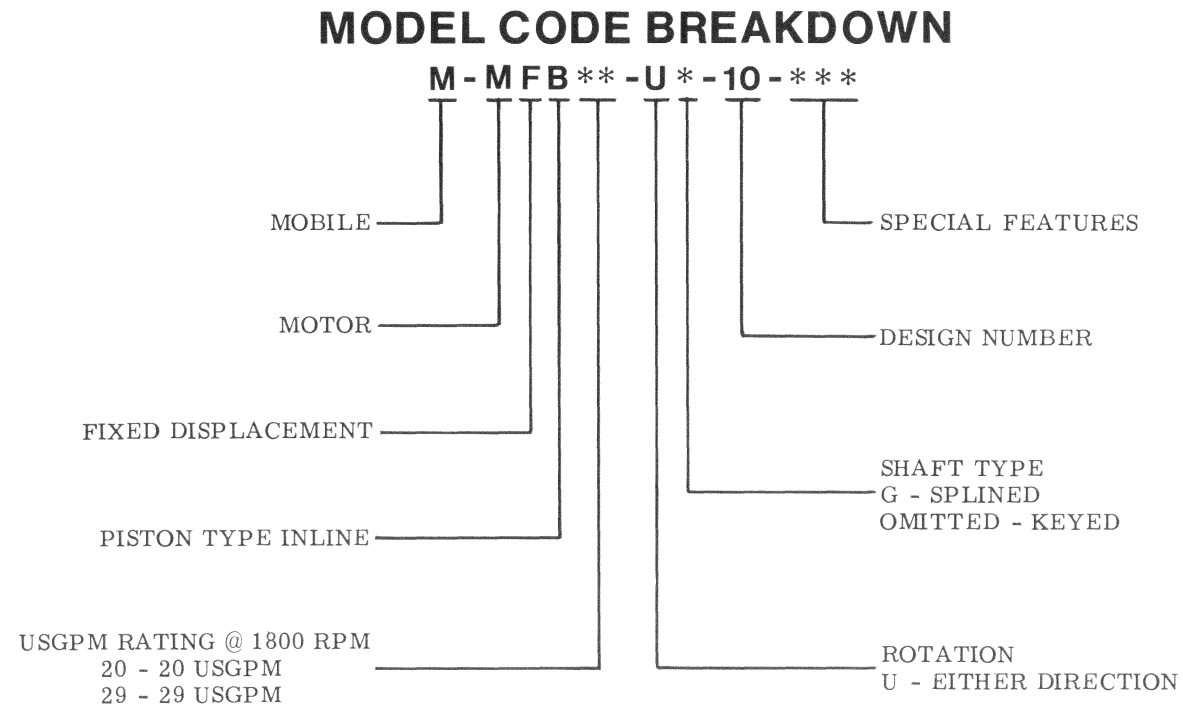


# Service Parts Information

Fixed In-Line  
Piston Motors

M-MFB20 and M-MFB29-10 Design



Vickers, Incorporated

P.O. Box 302  
Troy, Michigan 48007-0302

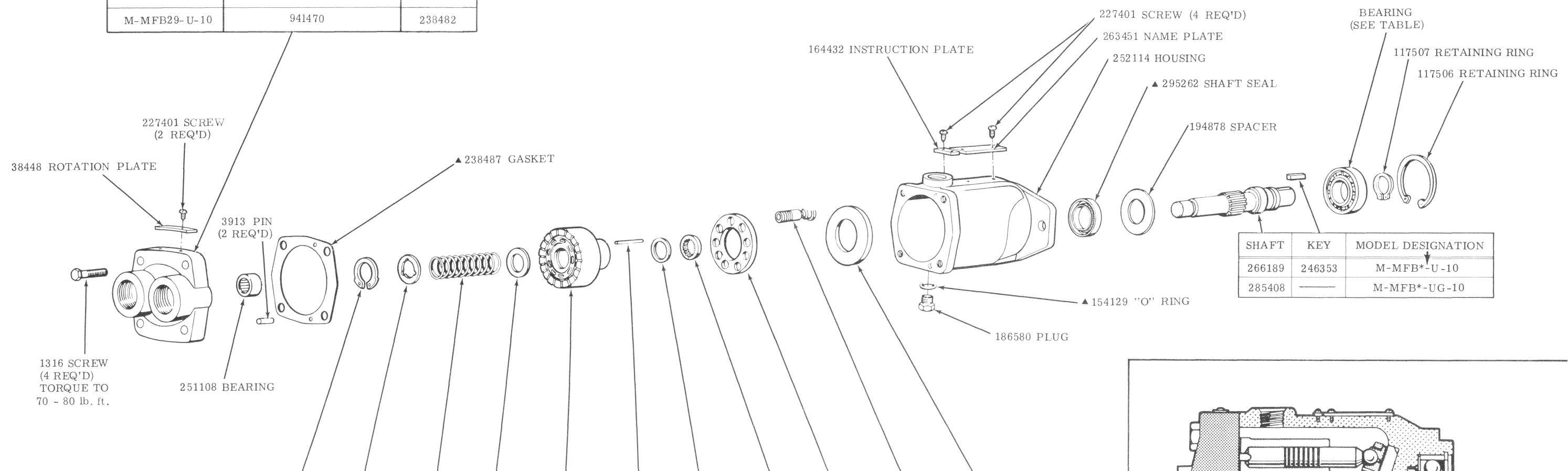
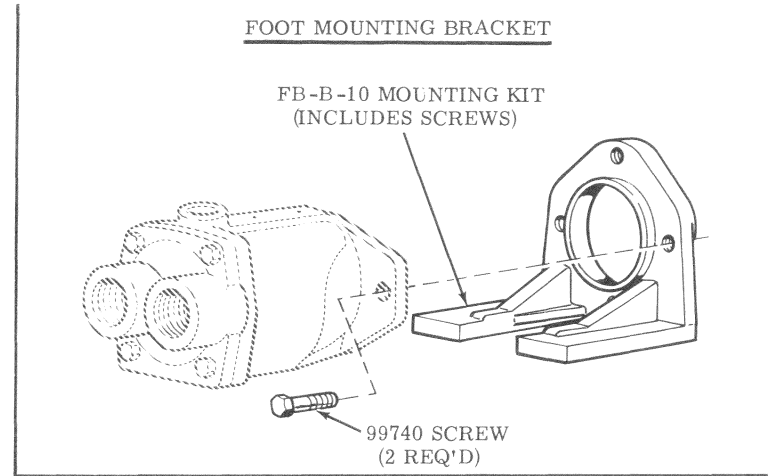
Revised 9-1-85

M-2763-S

For satisfactory service life of these components, use full flow filtration to provide fluid which meets ISO cleanliness code 16/13 or cleaner. Selections from Vickers OFP, OFR, and OFRS series are recommended.

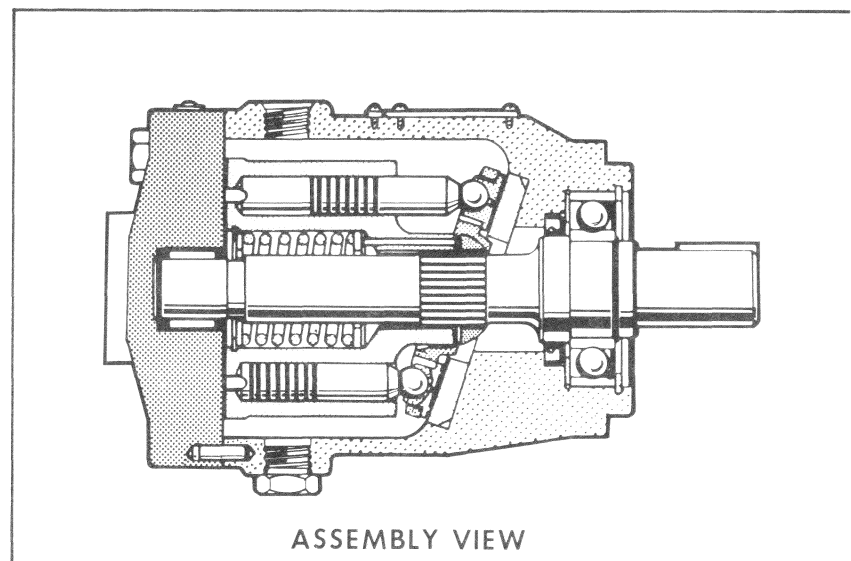
LITHO IN USA

MODEL DESIGNATION	VALVE PLATE SUB-ASSY (INCLUDES ROTATION PLATE & 251108 BEARING)	SHAFT BEARING
M-MFB20-U-10	938383	283090
M-MFB29-U-10	941470	238482



SHAFT	KEY	MODEL DESIGNATION
266189	246353	M-MFB*-U-10
285408	—	M-MFB*-UG-10

MODEL DESIGNATION	RETAINING RING	WASHER	SPRING	THRUST WASHER	CYLINDER BLOCK	PIN (3 REQ'D)	WASHER	SPHERICAL WASHER	SHOE PLATE	PISTON KIT (9 PISTONS)	SWASH PLATE	ROTATING GROUP KIT
	THESE PARTS SERVICED IN ROTATING GROUP KIT											
M-MFB20-U-10	194025	244931	246387	238780	284197	248835	938392		248609	941884	239335	938281
M-MFB29-U-10					287454					923326		922999



▲ SERVICED IN 919242 SEAL KIT

INCLUDE COMPLETE MODEL NUMBER ON ALL PARTS ORDERS

SEE SERVICE MANUAL M-2760-S FOR MAINTENANCE INFORMATION