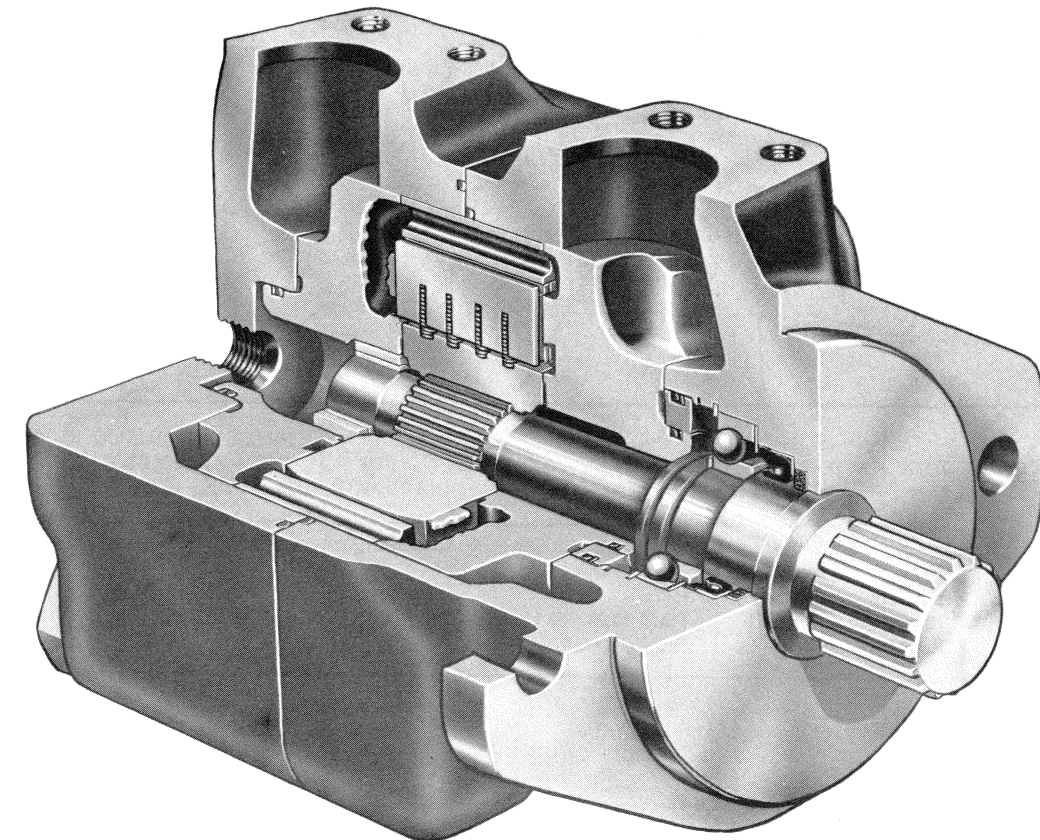
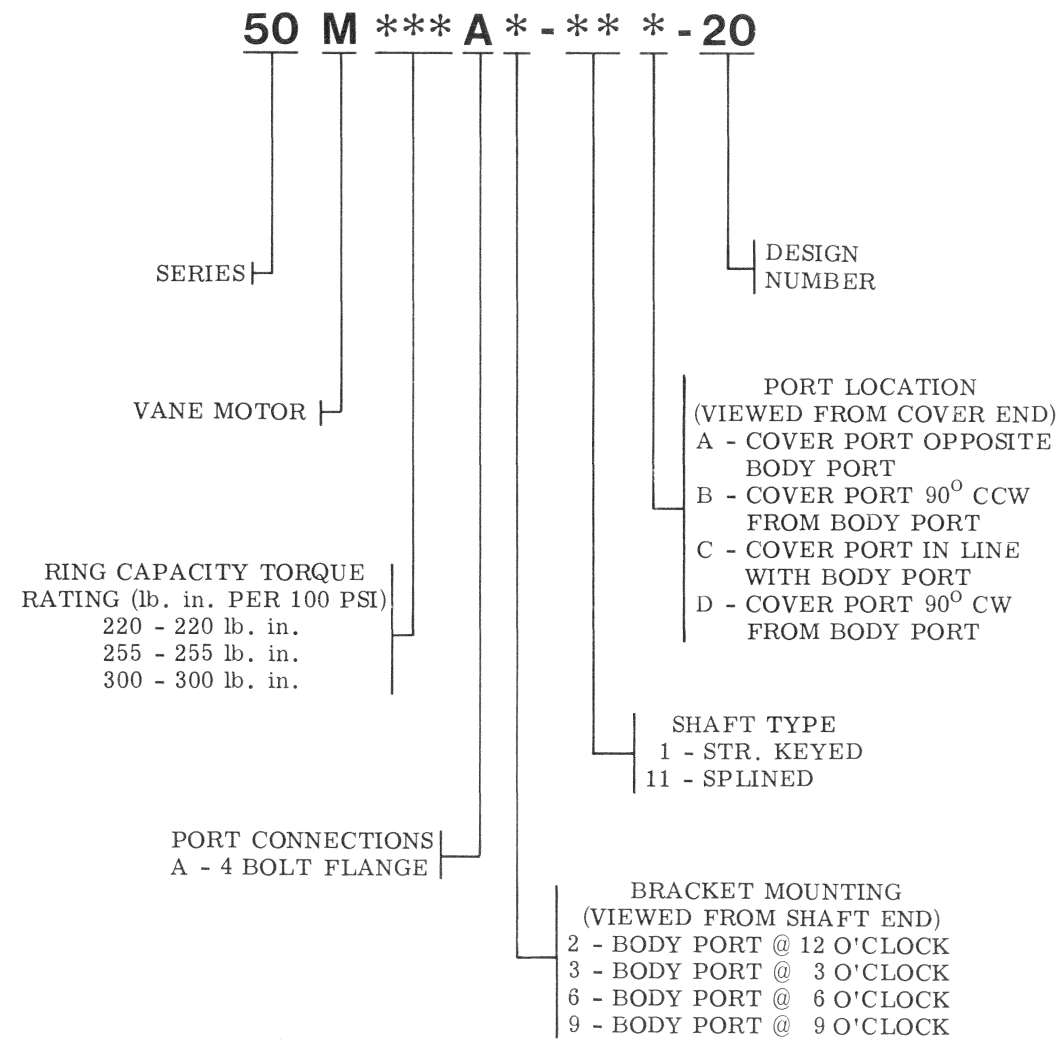


Service Parts Information

Vane Motors

50M Series - 20 Design

MODEL CODE BREAKDOWN



For satisfactory service life of these components, use full flow filtration to provide fluid which meets ISC cleanliness code 18/15 or cleaner. Selections from Vickers OFP, OFR, and OFRS series are recommended.

Vickers, Incorporated

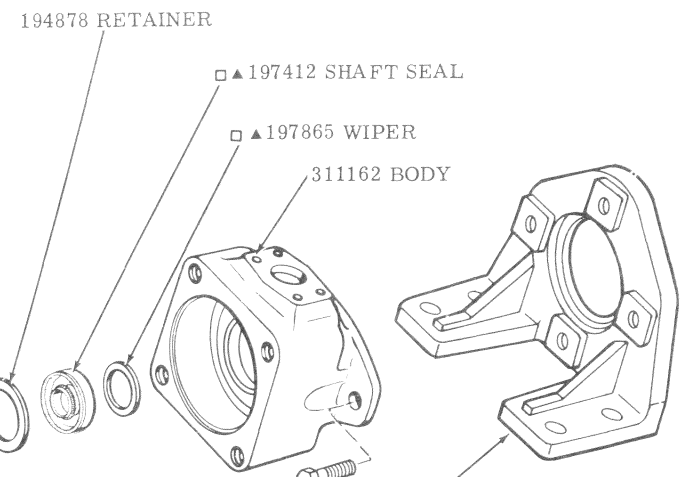
1401 Crooks Road
 Troy, Michigan 48084

Revised 11-1-85

M-2744-S

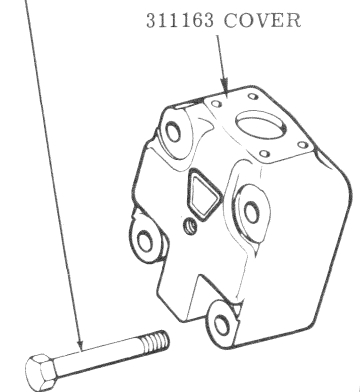
□ NOTE
Saturate the felt wiper with oil before assembly. Also, apply a small amount of grease to inner circumference of seal before installation of shaft. Assemble seal with lip toward bearing.

MODEL DESIGNATION	SHAFT	KEY
50M ** - 1* 20	309423	219939
50M ** - 11* 20	307224	—



BOLT (2 REQ'D)	MOUNTING BRACKET	MODEL DESIGNATION
214794	279625	50M**(-)**20

56092 BOLT (4 REQ'D)
TORQUE TO 365 ± 10 lb. ft.
(OIL AT ASSEMBLY)



243585 BUSHING

311155 HUB ADAPTER

30112 BEARING
117507 RETAINING RING
158630 LOCK RING

MODEL DESIGNATION	CARTRIDGE KIT	SCREW (2 REQ'D) TORQUE TO 21 ± 3 lb. ft.	BACK-UP RING	"O" RING	PIN (2 REQ'D)	PRESSURE PLATE SUB-ASSEMBLY (INCLUDES BUSHING)	PIN (2 REQ'D)	ROTOR	VANE KIT 10 VANES 50 SPRINGS	RING	PRESSURE PLATE	"O" RING	BACK-UP RING	"O" RING	BACK-UP RING	"O" RING	"O" RING
THESE PARTS ARE SERVICED IN CARTRIDGE KIT																	
50M 220* - **20	923099	310781	▲271790	▲154079	15993	308825	309197	307216	923098	310863	308823	▲154079	▲271790	▲154089	▲271803	▲279255	▲154114
50M 255* - **20	923100									310864							
50M 300* - **20	923101									310865							

▲ = THESE PARTS ARE INCLUDED IN SEAL KIT 923096

