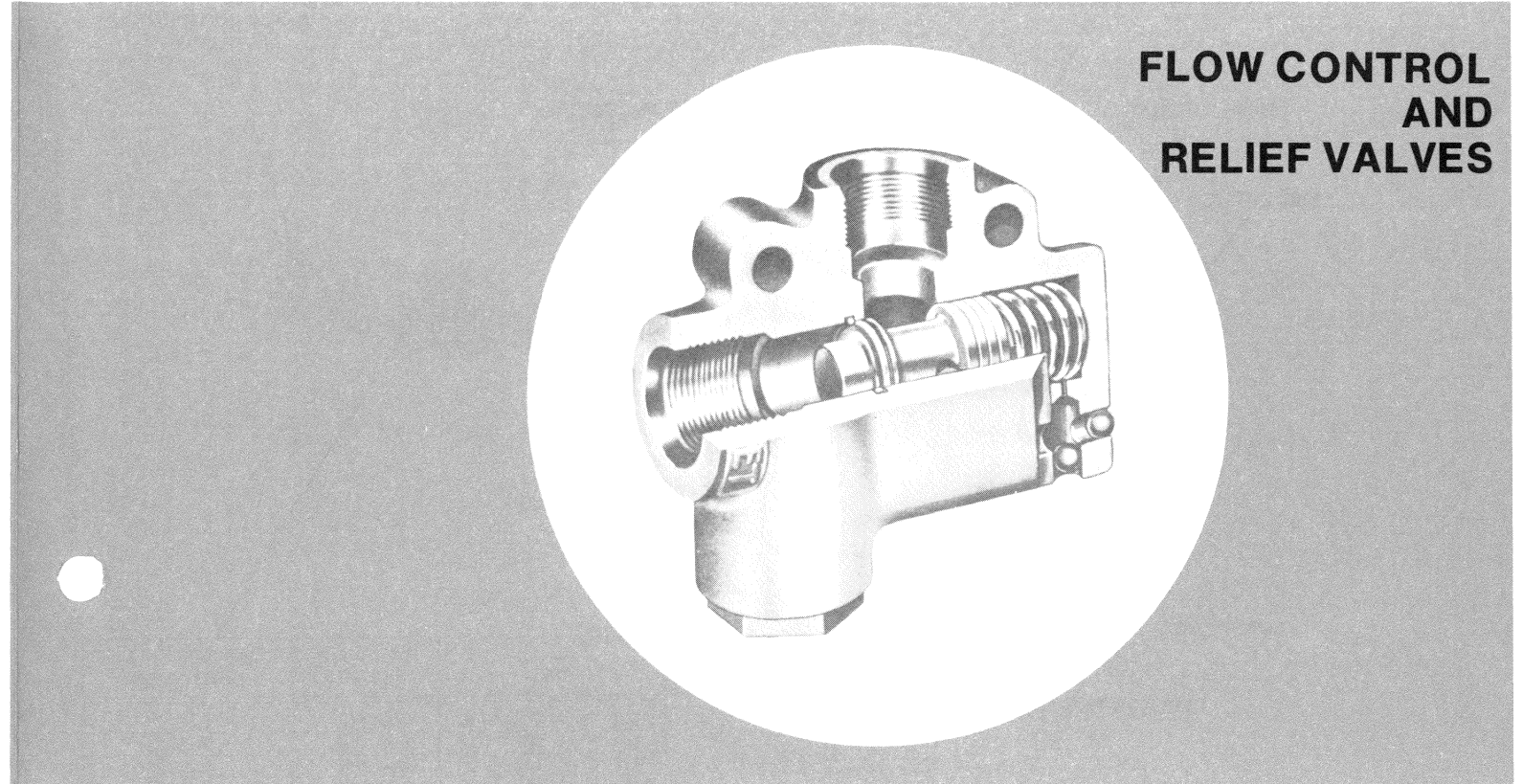


SPARE PARTS STOCK RECOMMENDATIONS (FOR EACH 100 UNITS IN OPERATION)



PART NUMBER	NAME	FM2					QUANTITY PER UNIT	QUANTITY RECOMMENDED FOR STOCK
		0*	1	*	*	10		
		THREAD	CONNECTIONS	PRESSURE SETTING	CAPACITY	DESIGN AND MODIFICATION		
155023	SNAP RING						2	20
155024	PLUG						1	10
154009	"O" RING						1	25
7074	PLUG						1	10
113000	PLUG						1	10
167463	RESTRICTION PLUG				2		1	15
167464	RESTRICTION PLUG				4		1	15
167465	RESTRICTION PLUG				6		1	15
165359	RESTRICTION PLUG				7		1	15
167466	RESTRICTION PLUG				8		1	15
7075	PLUG						1	10
155086	SPRING						1	10
232794	CONTROL VALVE SUB-ASSY (750 PSI)			075			1	15
232795	CONTROL VALVE SUB-ASSY (1000 PSI)			100			1	15
232796	CONTROL VALVE SUB-ASSY (1250 PSI)			125			1	15
232797	CONTROL VALVE SUB-ASSY (1500 PSI)			150			1	15
232798	CONTROL VALVE SUB-ASSY (1750 PSI)			175			1	15
232799	CONTROL VALVE SUB-ASSY (2000 PSI)			200			1	15

PART NUMBER	NAME	FM3 RM3					QUANTITY PER UNIT	QUANTITY RECOMMENDED FOR STOCK
		**	*	***	***	10		
		PORT CONNECTIONS	TYPE CONNECTIONS	FLOW RATE	RELIEF VALVE SETTING	DESIGN AND MODIFICATION		
230661	SNAP RING						1	10
233018	CONTROL VALVE SUB-ASSY (500 PSI)			050			1	15
232794	CONTROL VALVE SUB-ASSY (750 PSI)			075			1	15
232795	CONTROL VALVE SUB-ASSY (1000 PSI)			100			1	15
232796	CONTROL VALVE SUB-ASSY (1250 PSI)			125			1	15
232797	CONTROL VALVE SUB-ASSY (1500 PSI)			150			1	15
232798	CONTROL VALVE SUB-ASSY (1750 PSI)			175			1	15
232799	CONTROL VALVE SUB-ASSY (2000 PSI)			200			1	15
233019	CONTROL VALVE SUB-ASSY (2250 PSI)			225			1	15
233020	CONTROL VALVE SUB-ASSY (2500 PSI)			250			1	15
239766	SPRING						1	10
186580	PLUG	12S					1	10
181792	PLUG	14S					1	10
7077	PLUG	08P					1	10
154129	"O" RING	12S					1	25
154130	"O" RING	14S					1	25



**FLOW CONTROL AND RELIEF VALVES**

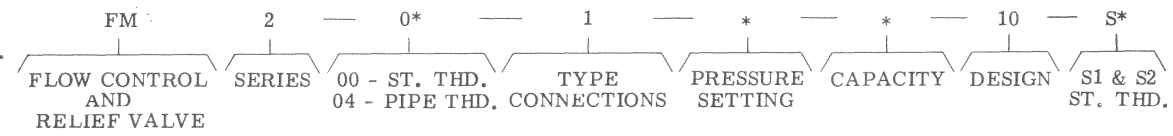
**SERVICE PARTS INFORMATION**

**FM2, FM3 AND RM3**

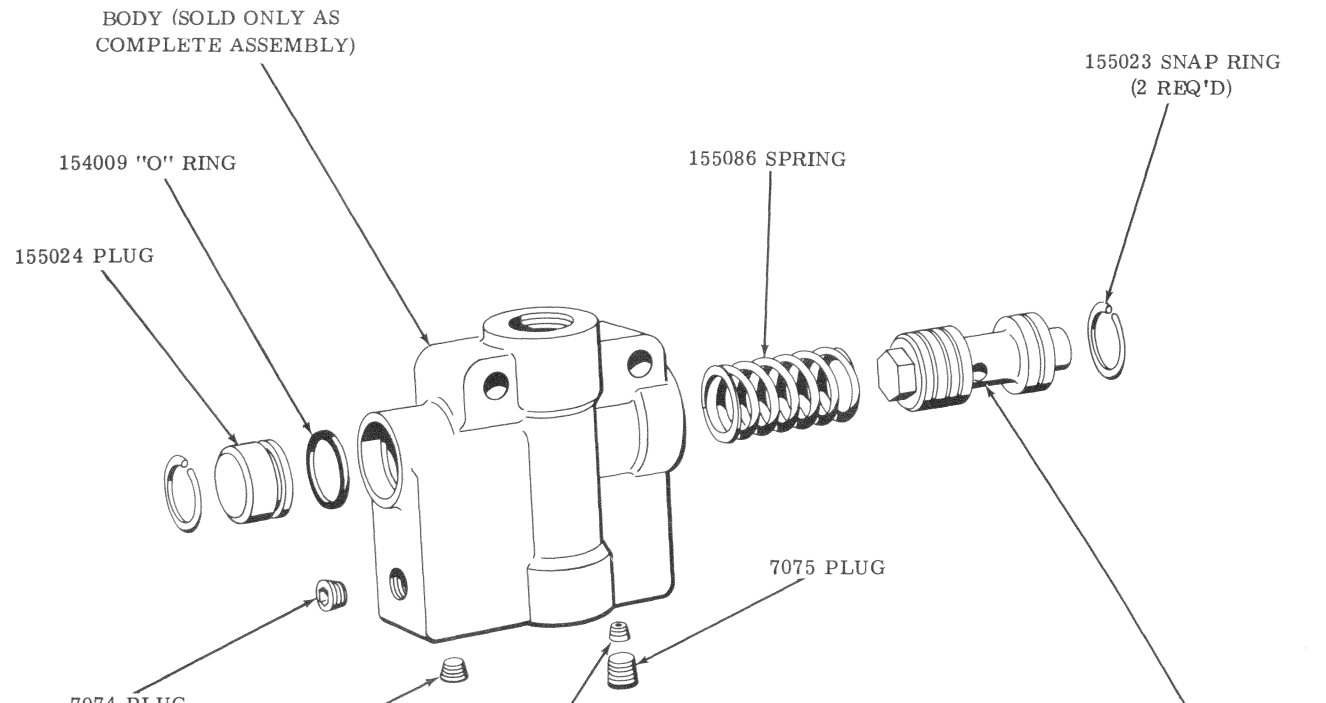
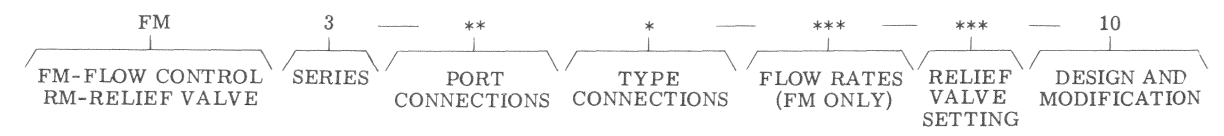
To insure sustained efficiency and maximum trouble-free life of this precision equipment, initial and continuous filtration of the fluid medium to 25 microns or less is essential. For information pertaining to Vickers economical 10 micron filters, see installation drawing M-229847.

SPERRY VICKERS  
TROY, MI. 48084

**MODEL CODE**

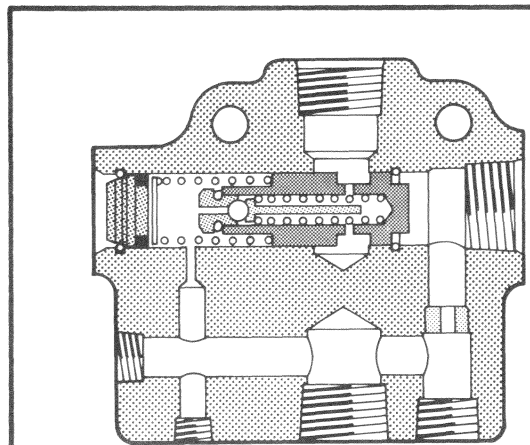


**MODEL CODE**

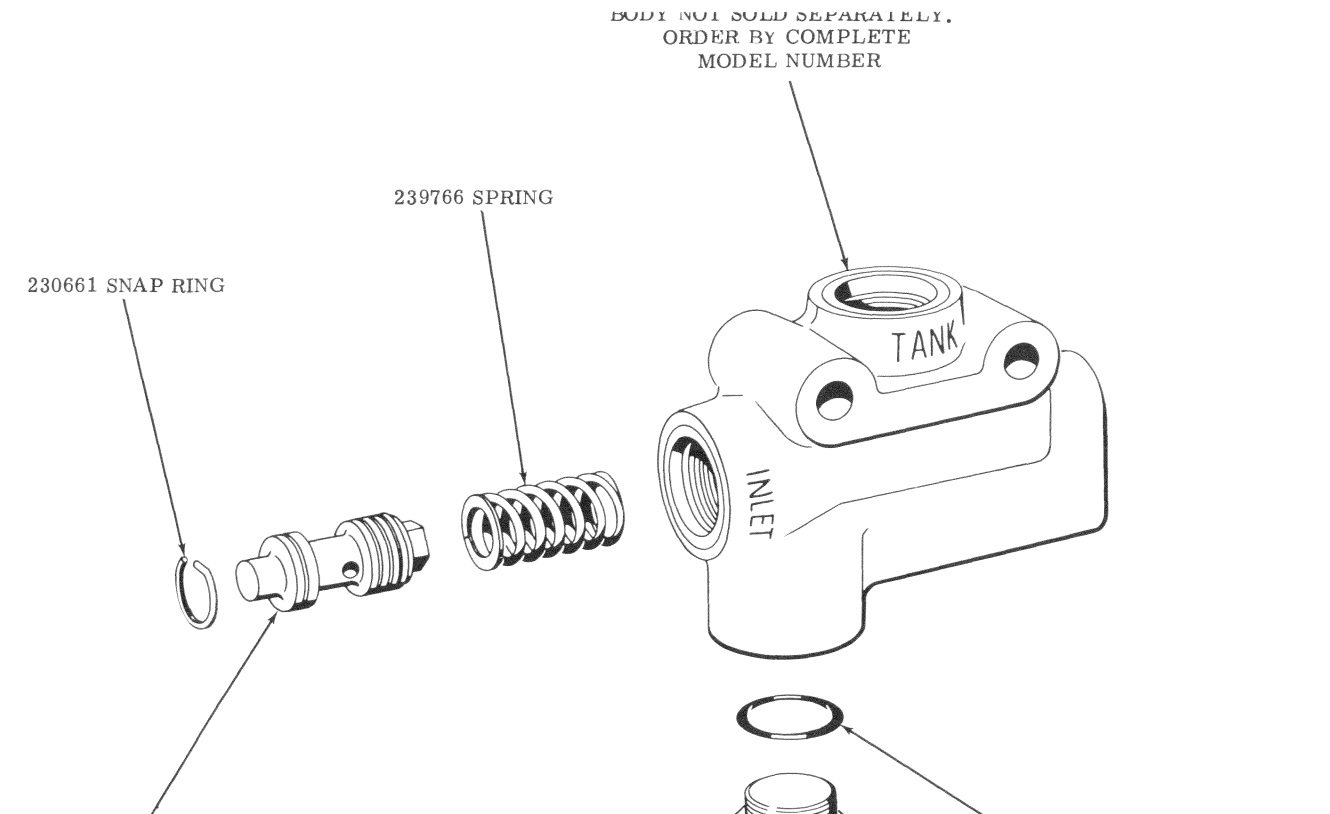


MODEL	PRESSURE SETTING	CONTROL VALVE SUB- ASSY
FM2-**-*-075*-10	750 PSI	232794
FM2-**-*-100*-10	1000 PSI	232795
FM2-**-*-125*-10	1250 PSI	232796
FM2-**-*-150*-10	1500 PSI	232797
FM2-**-*-175*-10	1750 PSI	232798
FM2-**-*-200*-10	2000 PSI	232799

MODEL	CAPACITY (GPM)	RESTRICTION PLUG
FM2-**-*-2-10	2	167463
FM2-**-*-4-10	4	167464
FM2-**-*-6-10	6	167465
FM2-**-*-7-10	7	165359
FM2-**-*-8-10	8	167466

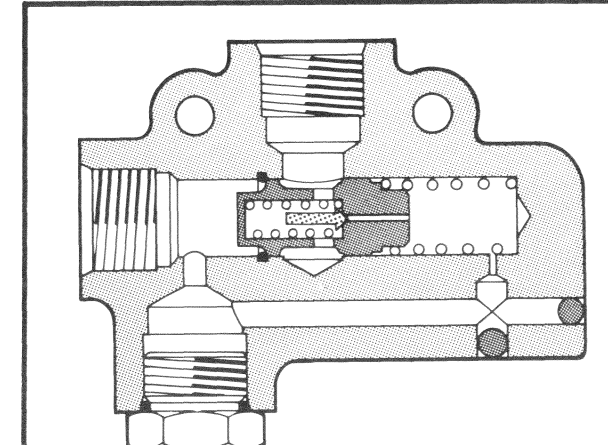


ASSEMBLY VIEW



CONTROL VALVE SUB-ASSY	RELIEF PRESSURE	MODEL
233018	500 PSI	FM3 & RM3-***-050-10
232794	750 PSI	FM3 & RM3-***-075-10
232795	1000 PSI	FM3 & RM3-***-100-10
232796	1250 PSI	FM3 & RM3-***-125-10
232797	1500 PSI	FM3 & RM3-***-150-10
232798	1750 PSI	FM3 & RM3-***-175-10
232799	2000 PSI	FM3 & RM3-***-200-10
233019	2250 PSI	FM3 & RM3-***-225-10
233020	2500 PSI	FM3 & RM3-***-250-10

MODEL	PLUG	"O" RING
RM3-12S-***-10	186580	154129
RM3-14S-***-10	181792	154130
RM3-08P-***-10	7077	



ASSEMBLY VIEW

INCLUDE COMPLETE MODEL NUMBER ON ALL PARTS ORDERS