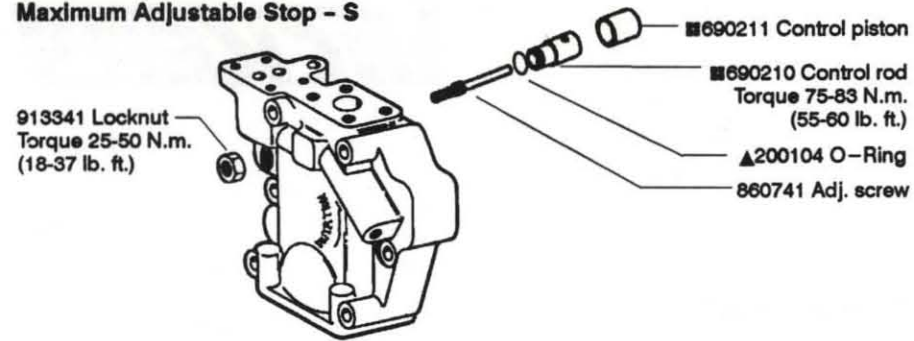
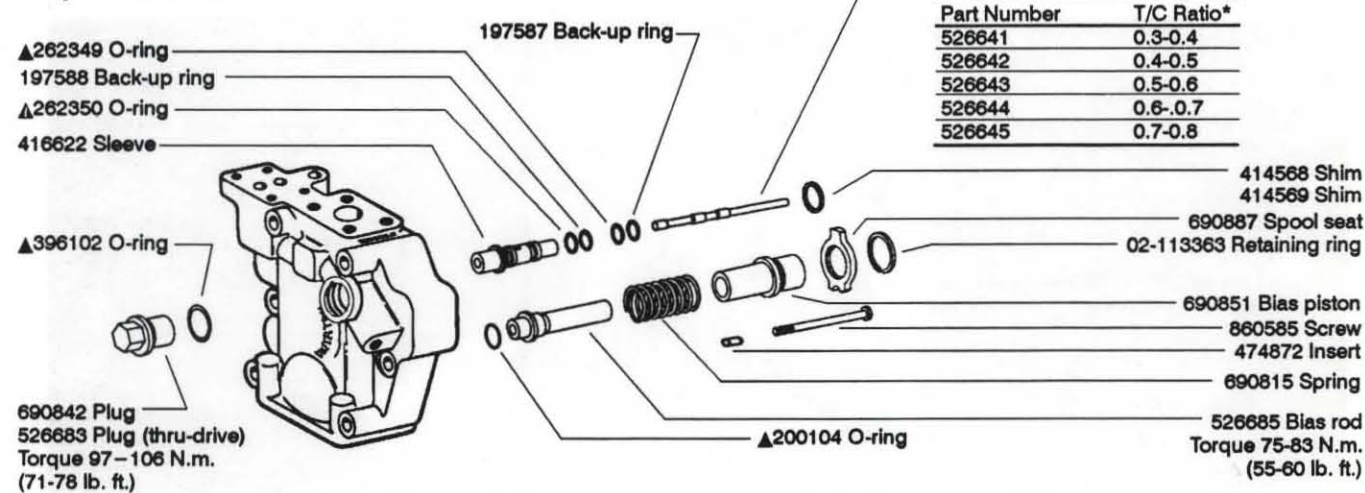


Maximum Adjustable Stop - S

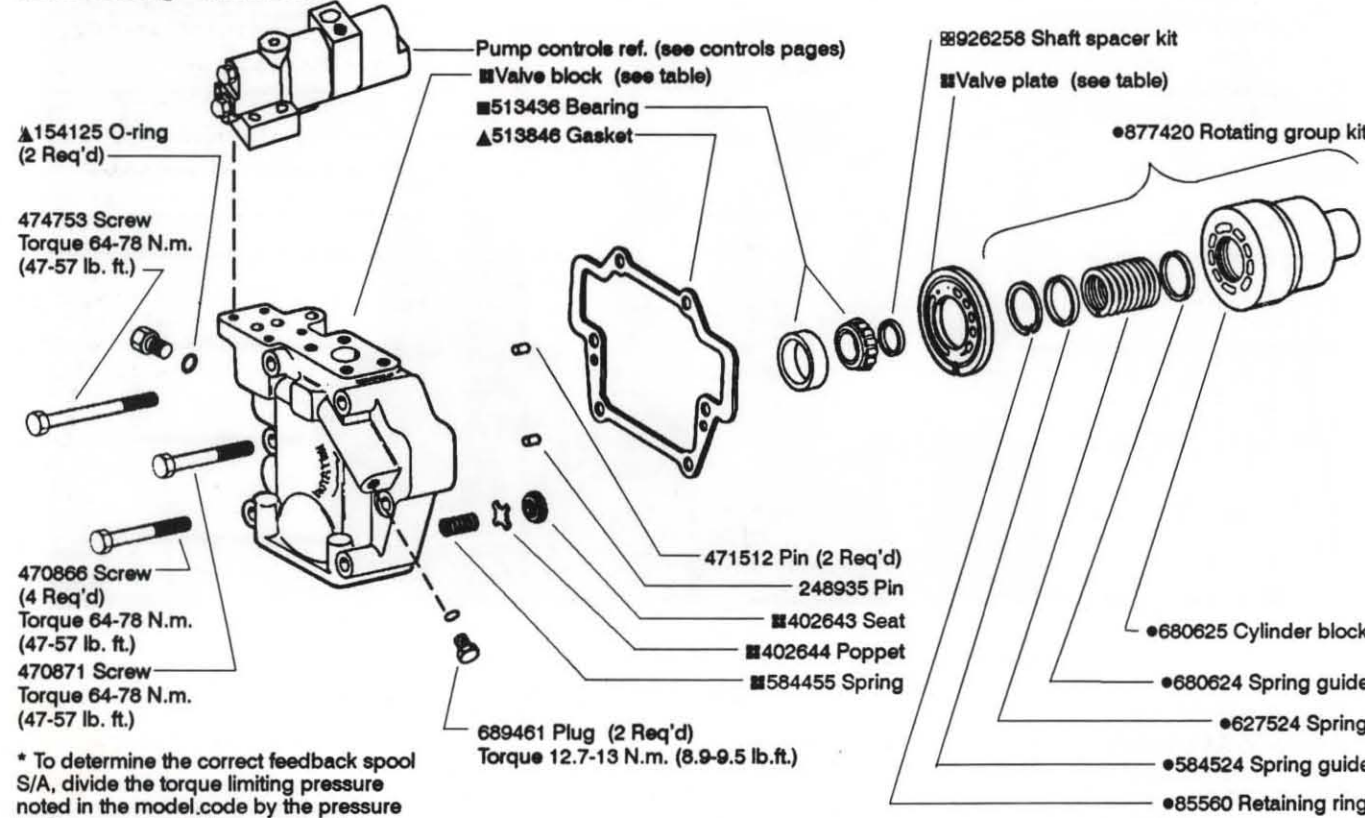


Torque Limiter - CT



Feedback Spool S/A	
Part Number	T/C Ratio*
526641	0.3-0.4
526642	0.4-0.5
526643	0.5-0.6
526644	0.6-0.7
526645	0.7-0.8

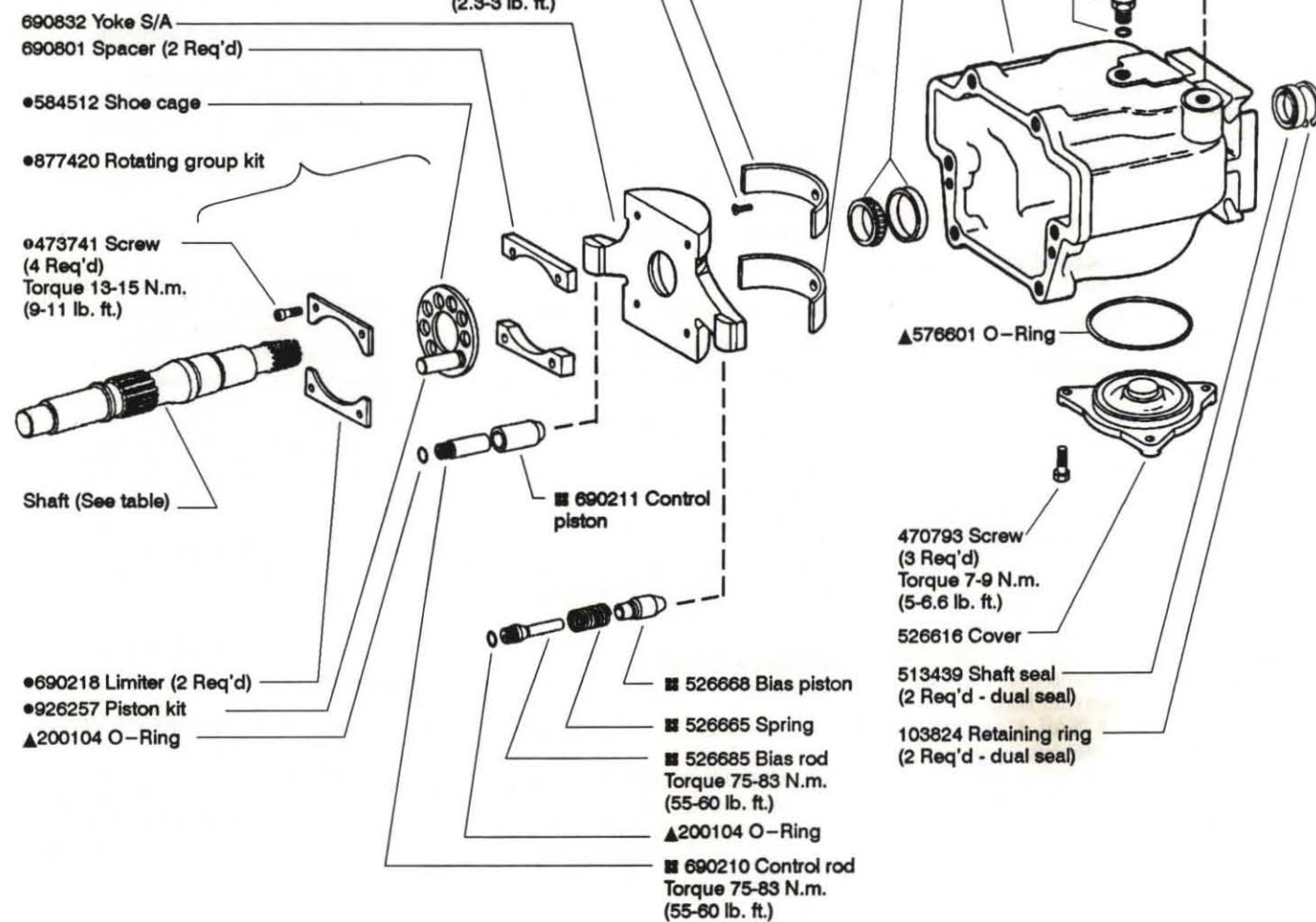
Load Sensing - C/CM/CMV



* To determine the correct feedback spool S/A, divide the torque limiting pressure noted in the model code by the pressure limiting control cracking pressure (i.e. T/C=Ratio). On a dual level pressure limiting control, use the high level pressure in this calculation.

Model designation	Valve Block	Valve Plate
57C-LF-10-C*	690854	680631
57C-LM-10-C*	857772	
57C-RF-10-C*	513915	680630
57C-RM-10-C*	864150	
57C-LF-10-CT	526621	680631
57C-LM-10-CT	860513	
57C-RF-10-CT	513312	680630
57C-RM-10-CT	860514	
57C-LSF-10-C	860794	680631
57C-LSM-10-C	860795	
57C-RSF-10-C	860796	680630
57C-RSM-10-C	860787	
57QIC-LF-10-C*	690854	514121
57QIC-RF-10-C*	513915	514128

Shaft	Type	Key
527166	1 - Str. keyed	114516
864342	1 - Str. keyed thru	
513839	2 - Splined	
526684	2 - Splined thru	
883063	N - Short str. keyed	472287



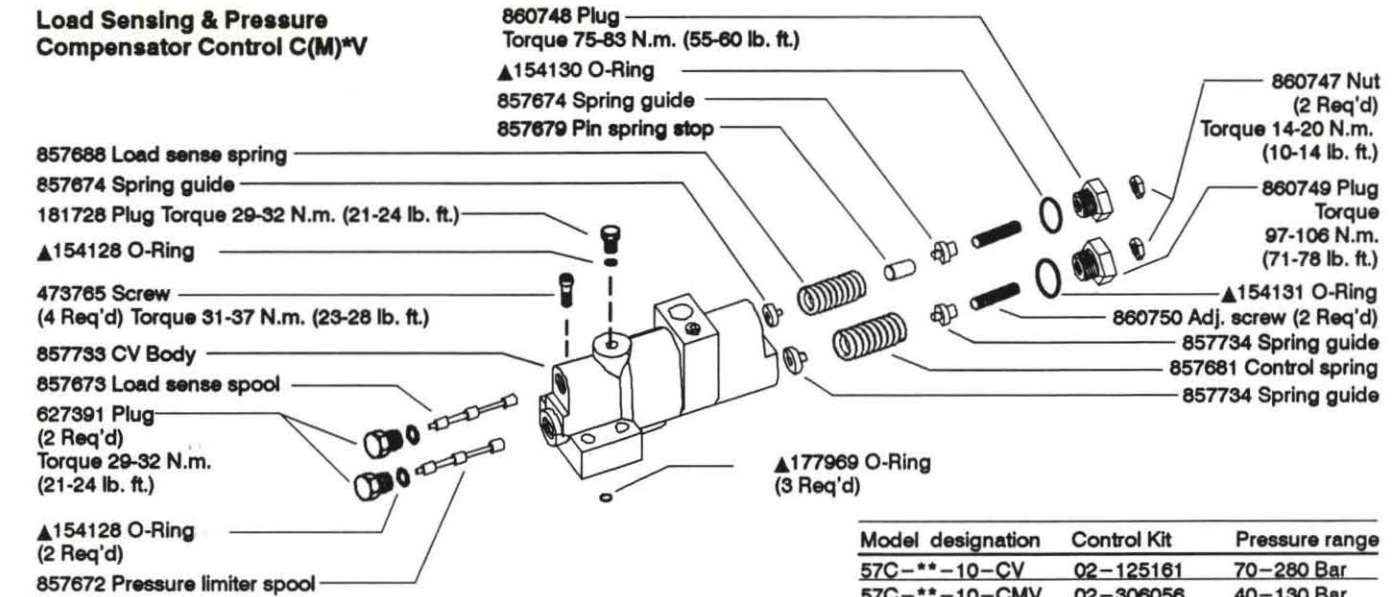
NOTE
For satisfactory service life of these components in industrial applications, use full flow filtration to provide fluid which meets ISO cleanliness code 14/12 or cleaner.

- ▲ Available in single shaft seal kit 02-102260 Equivalent double shaft seal kit 02-102244
- Available in rotating group kit 877420
- Available in bearing kit 877423

NOTE
Right hand rotation shown. View is opposite for left hand rotation. Please refer to Overhaul Manual M-2210-S.

NOTE
Use shims as required to obtain 0.01-0.10 mm (.0004-.004 in.) axial shaft endplay.

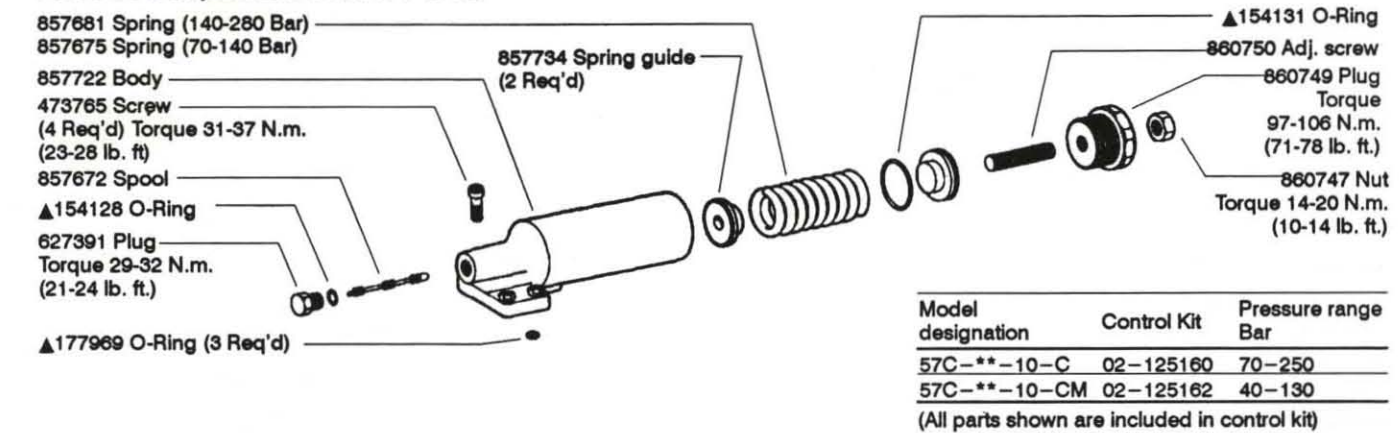
Load Sensing & Pressure Compensator Control C(M)*V



Model designation	Control Kit	Pressure range
57C-**-10-CV	02-125161	70-280 Bar
57C-**-10-CMV	02-306056	40-130 Bar

(All parts shown are included in control kit)

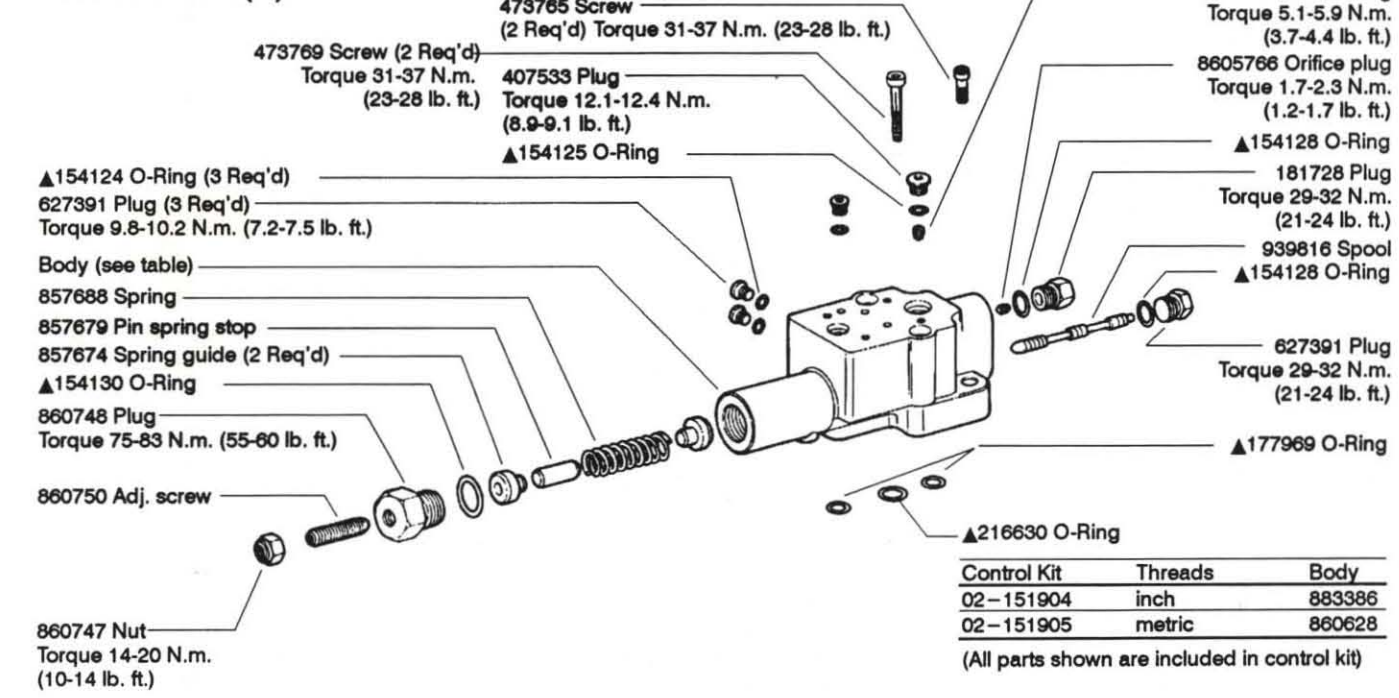
Pressure Compensator Control C & CM



Model designation	Control Kit	Pressure range Bar
57C-**-10-C	02-125160	70-250
57C-**-10-CM	02-125162	40-130

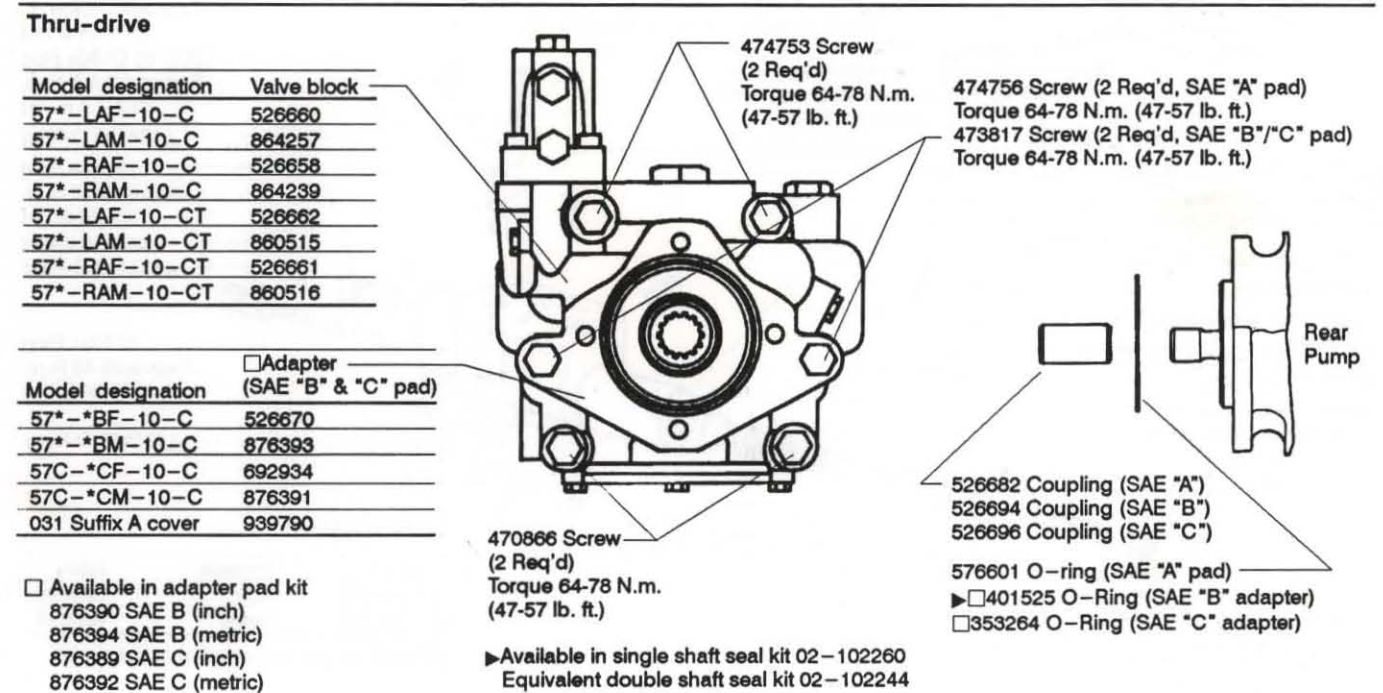
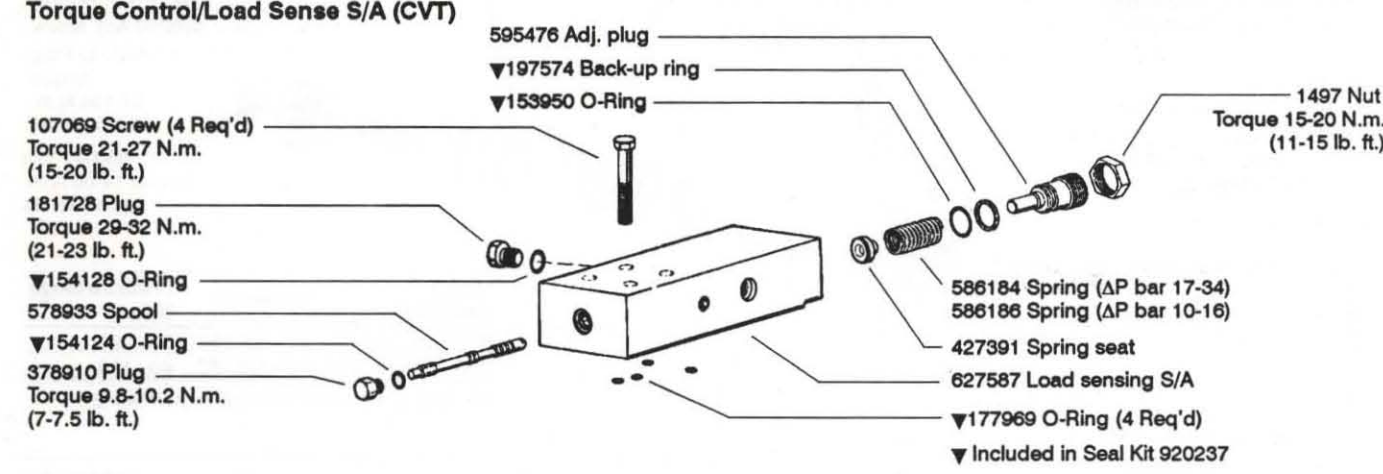
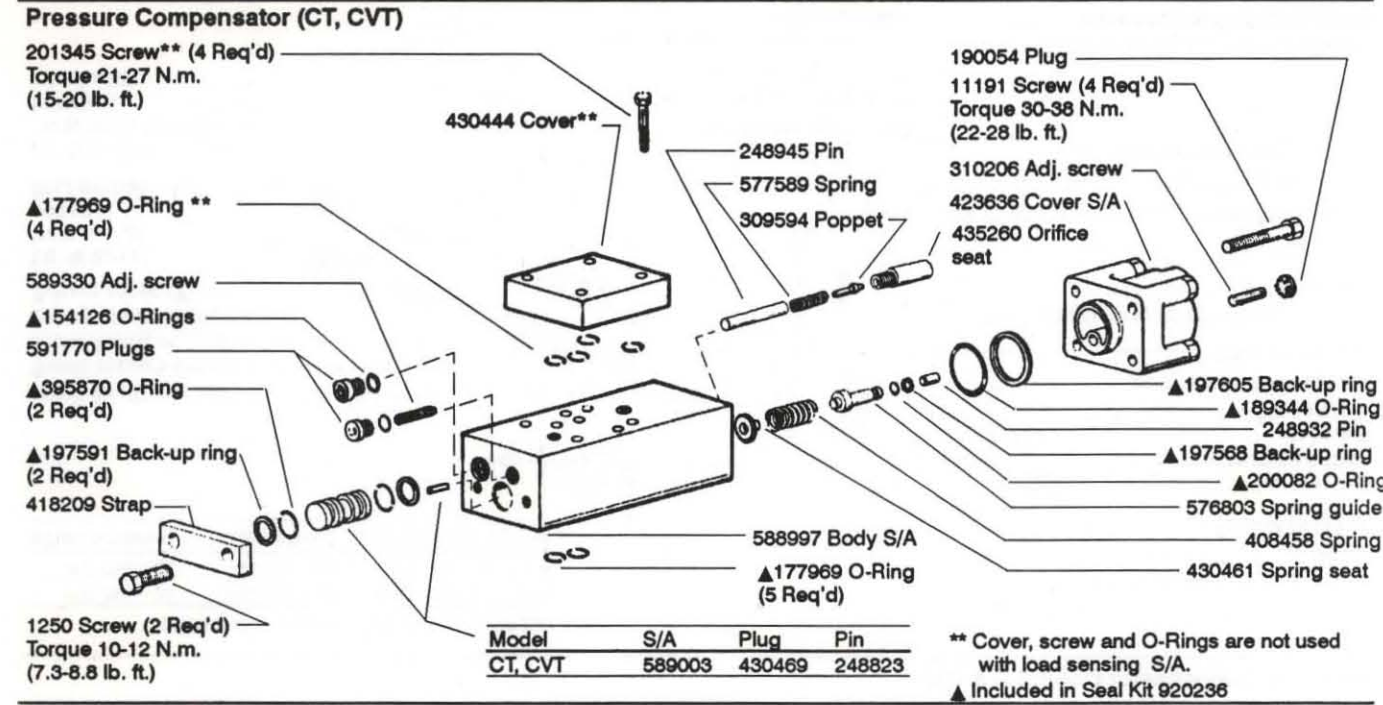
(All parts shown are included in control kit)

Industrial Control (IC)

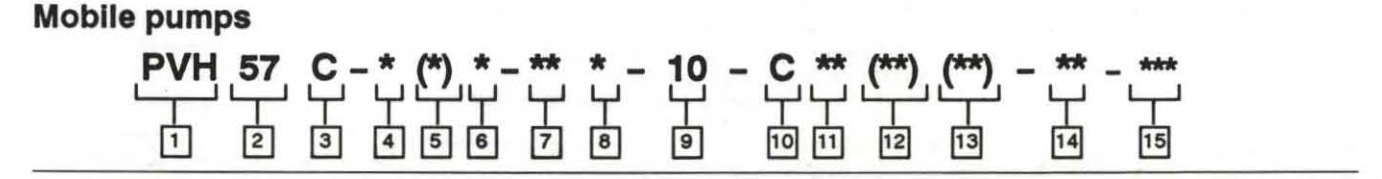
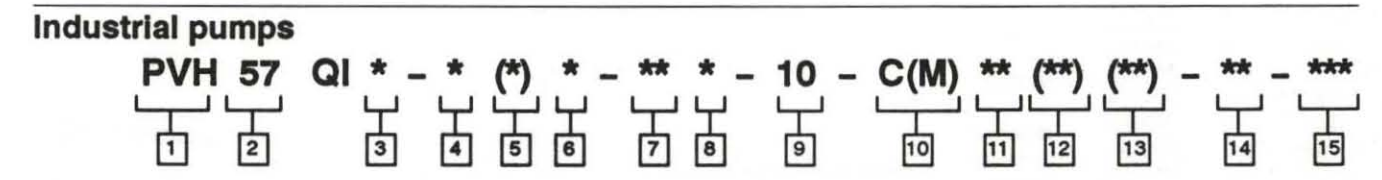


Control Kit	Threads	Body
02-151904	inch	883386
02-151905	metric	860628

(All parts shown are included in control kit)



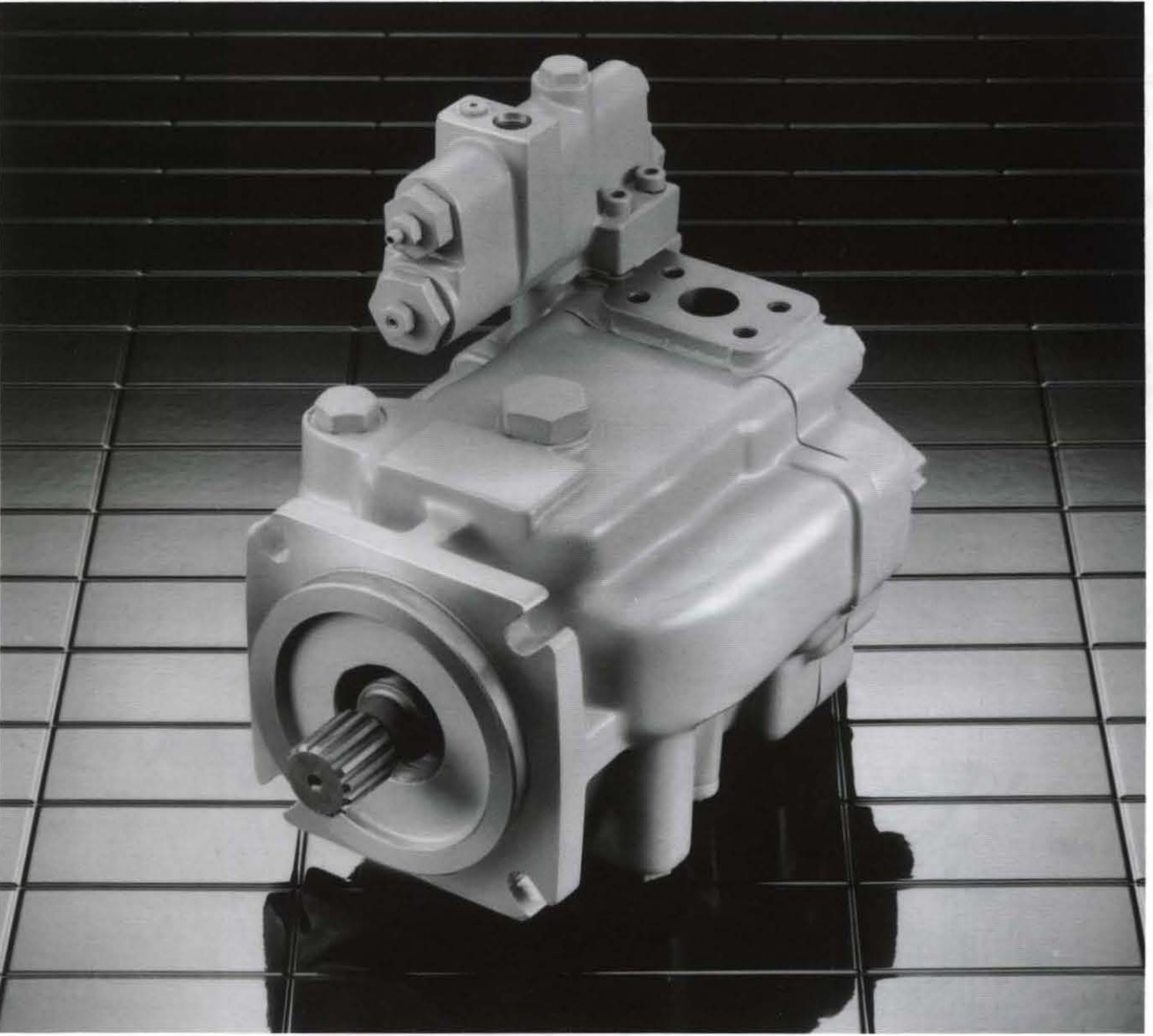
Model Codes



- 1 Piston pump, variable displacement**
- 2 Maximum geometric displacement**
 57 = 57.4 cm³/r (3.5 in³/r)
- 3 Mounting flange, prime mover end**
 C = SAE "C" 4-bolt type (SAE J744-127-4)
 M = ISO 3019/2-125B4HW (Option for PVH57 and PVH74 only)
- 4 Shaft rotation, viewed at prime mover end**
 R = Right hand, clockwise (Standard on QI models)
 L = Left hand, counterclockwise (Optional on QI models)
- 5 Configuration**
 Blank = Non-thru-drive (single pump)
 A = Thru-drive pump with SAE "A" 2-bolt rear flange mounting (SAE J744-82-2)
 B = Thru-drive pump with SAE "B" 2- and 4-bolt rear flange mountings† (SAE J744-101-2/4)
 C = Thru-drive pump with SAE "C" 2- and 4-bolt rear flange mountings† (SAE J744-127-2/4)
 S = Adjustable maximum volume stop (non-thru-drive and non-torque-control pumps only)
- 6 Main ports**
 F = SAE 4-bolt flange pads (standard)
 M = SAE 4-bolt pads with metric mounting bolt threads
- 7 Shaft-end type, at prime mover end**
 N = ISO 3014/2- Short straight E32N keyed
 1 = SAE "C" Straight (J744-32-1) keyed
 2 = SAE "C" Splined 14 tooth (J744-32-4) 12/24 D.P.
- 8 Shaft seal, prime mover end**
 S = Single, one-way (standard)
 D = Double, two-way (optional) Recommended on second pump of tandem assembly (PVH**/PVH**) and on "wet mount" applications.
- 9 Pump design number**
 10 (Subject to change. Installation dimensions unaltered for design numbers 10 to 19 inclusive.)
- 10 Pressure compensator adjustment range**
 C = 70-250 bar (1015-3625 psi) (standard)
 CM = 40-130 bar ((580-1885 psi) (optional QI version)
 IC = Industrial control, 20 bar (290 psi) differential pressure setting
- 11 Pressure compensator factory setting in tens of bar**
 25 = Normal factory setting of 250 bar for "C" models.
 7 = Normal factory setting of 70 bar for "CM" models.
- 12 Additional control functions**
 Blank = No additional controls
 V = Load sensing, 20 bar (290 psi) differential pressure setting
 T = Torque limiter
 VT = Load sensing and torque limiter
- 13 Torque limiter factory setting**
 ** = Customer desired torque limiter setting specified in ten bar (145 psi) increments, e.g.:
 8 = 80 bar (1160 psi);
 18 = 180 bar (2610 psi).
 The torque setting range is from 30-80% of the specified compensator setting.
- 14 Control design number**
 31 = C, CM, or C**V controls.
 13 = C**T controls
 14 = C**VT controls
 31 = IC controls
- 15 Special features suffix**
 027= Composite 2-bolt/4-bolt mounting conforming to SAE "C"
 031= Thru-drive SAE "A" pad cover
 041= No case-to-inlet relief (for use with supercharged circuits, 50 psi max.)
 057= Shaft-up operation (vertical mount)

† Built from pump with SAE "A" rear pad to which suitable flange adapter is bolted. For best availability and flexibility, order PVH SAE "A" thru-drive pump and SAE "B" or "C" adapter kit separately.

PVH57 Variable Displacement Piston Pump



Vickers, Incorporated
 A TRINOVA Company
 5445 Corporate Drive
 P.O. Box 302
 Troy, Michigan 48007-0302