

Model Code

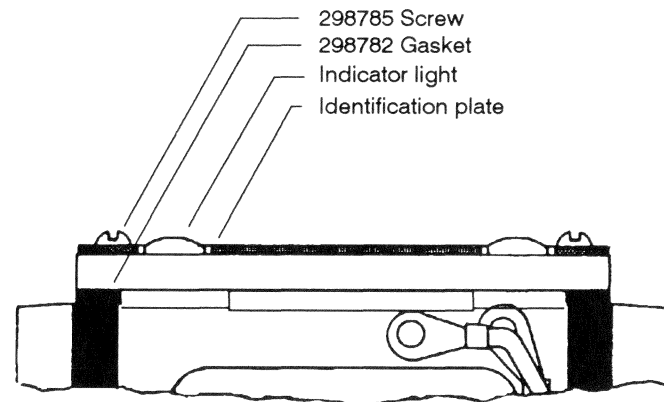
(F3) D G 4 S 4 ** - 01 * N - (U) * - * - 60



1 Special Seals Blank - Standard seals F3 - Special seals	7 Electrical Accessories L - Solenoid indicator lights W - Wiring housing LW - Wiring housing with indicator lights WT - Wiring housing with terminal strip	10 Spool/Spring Arrangement N - No spring, detented
2 Directional Control Valve	8 Interface 01 - ISO-4401-AC-50-4-A NFPA D05 (1/8 in. nominal size)	11 Wet Armature Solenoid (non-serveable core tube)
3 Manifold or Subplate Mounted	9 Spool Types 0, 2, 6, 7, 33 & 2 (two-way)	12 Coil Type 7 - Coil with surge suppression (DC models only 12 & 24V DC)
4 Solenoid Operated	13 Coil Identification Letters	14 Design
5 Sliding Spool		
6 Flow Direction 2 - Two way 4 - Four way		

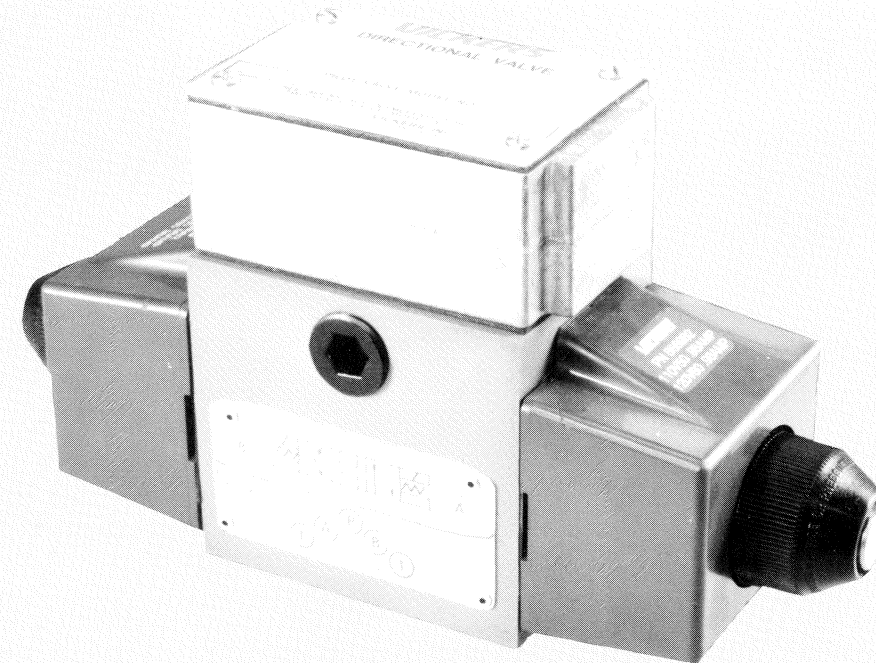
Light Kits

Solenoid Indicator Light Kit (Includes all parts identified)	
Voltage Range	Kit
100 thru 127	941615
192 thru 233	941617



Wet Armature Directional Control Valves

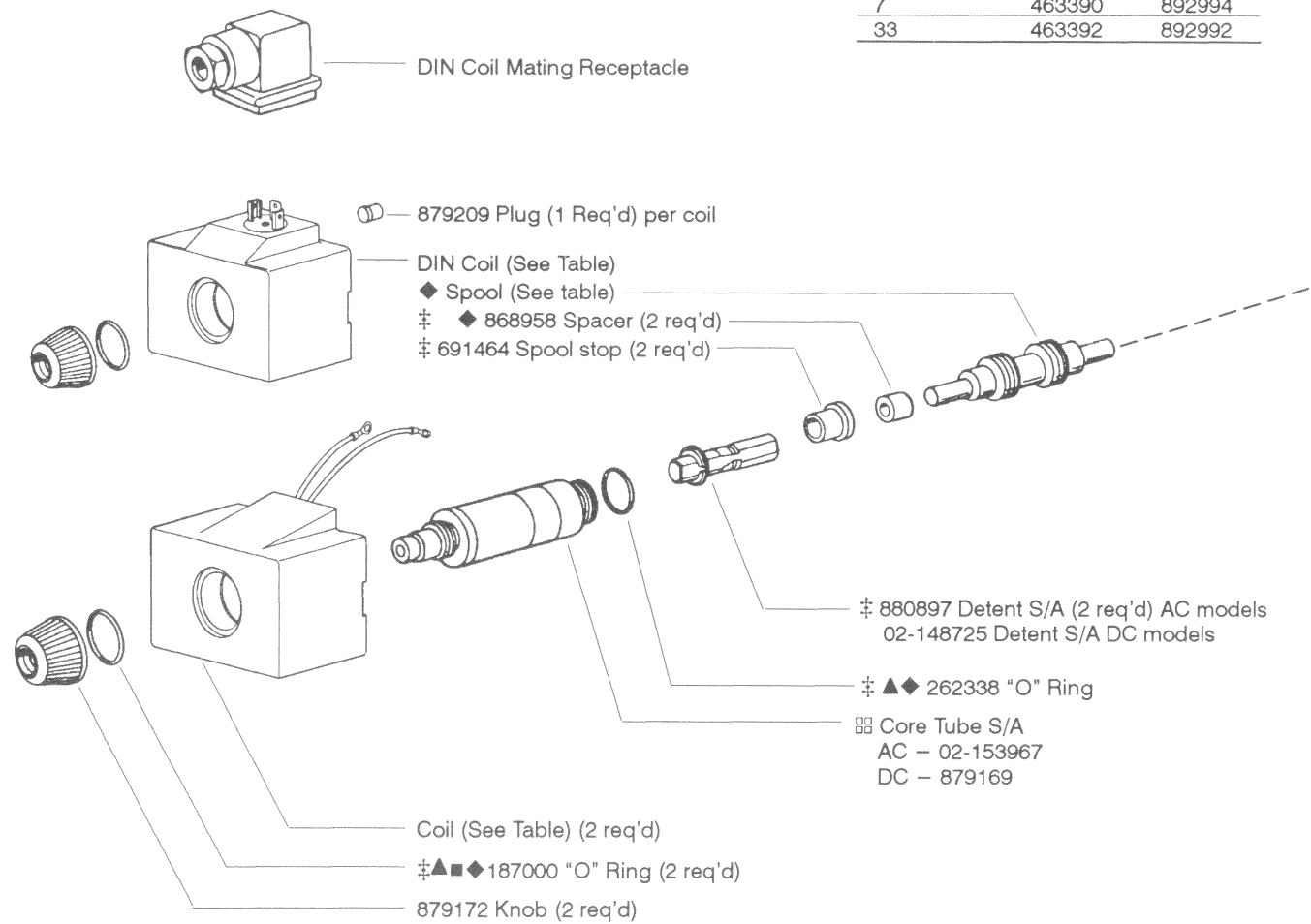
DG4S*-01*N-(U)-*-60



Vickers, Incorporated
5445 Corporate Drive
P.O. Box 302
Troy, Michigan 48007-0302

COIL S/A	COIL KIT	VOLTAGE		DC VOLT	COIL CODE	DIN COIL-KIT	
		60 HZ	50 HZ				
868982	892995	120	110		B	893007	879141
868983	892996	240	220		D	893008	879143
868984	892997	460	440		M	893009	879231
868985	892998		127		EG	893010	879232
879211			240		ED		879142
879212			110		A		879144
879213			220		C		879227
879214			24		NN		879228
879215	893003	100	100		T	893015	879229
879216	893004	380	380		DZ	893016	879230
02-101843		24	24		N		02-101845
02-101976		200	200		OV		02-127060
868987	892999			12	G	893011	879146
868988	893000			24	H	893012	879147
868986	893001			48	J	893013	879148
868990				110	P		879226
868991				100	R		879225
868992	893002			250	X	893014	879224
879233				125	DP		879149
02-119664		48	48		K		02-127061
02-119665			48		KK		02-127062
02-119666		24			NV		02-127063
02-300515		220			DN		02-300519
02-300516		115			EK		02-300520
02-300517		110	100		BX		02-300521
02-300518		320	200		DX		02-300522

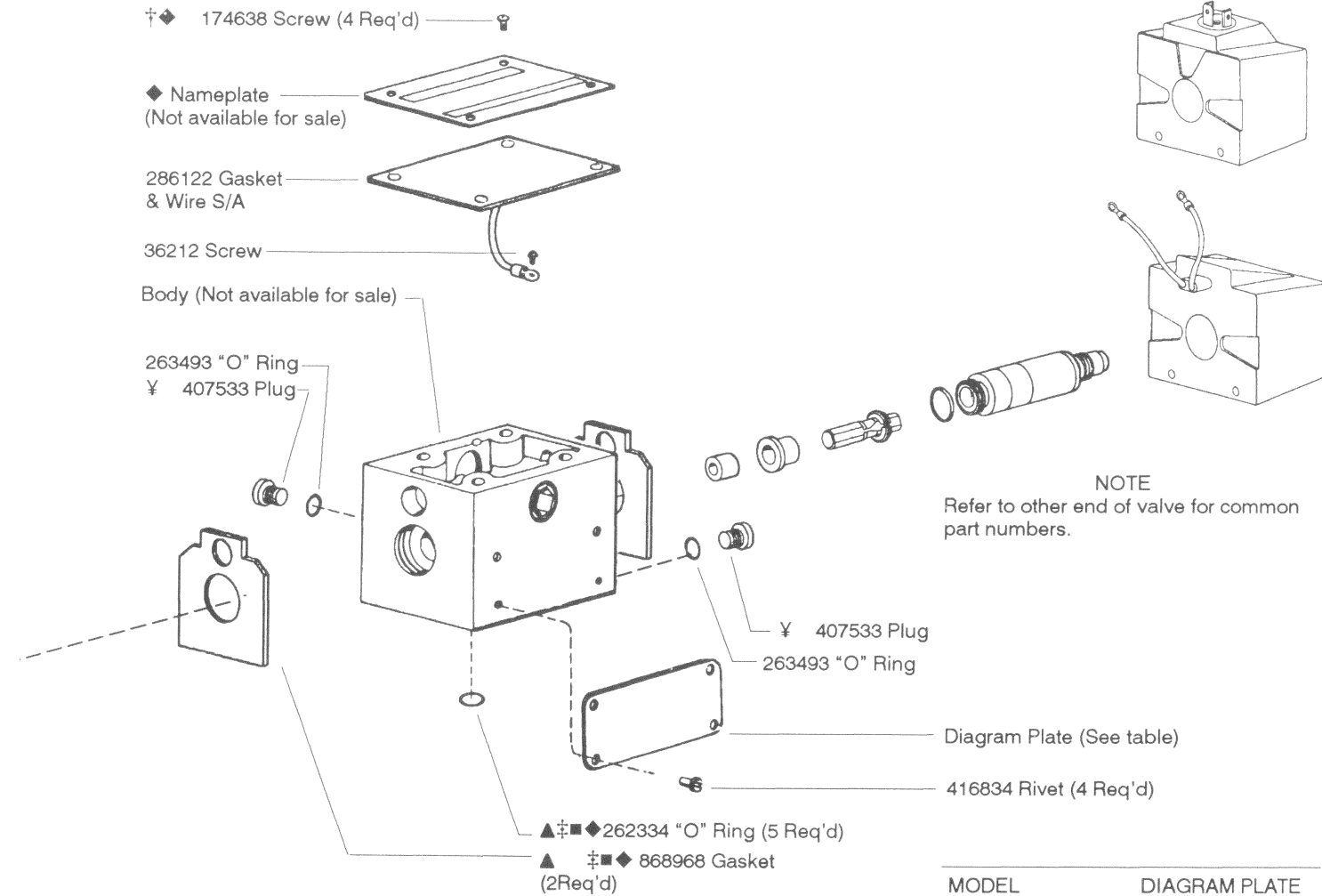
SPOOL TYPE	PART	SPOOL KIT
2 (DG4S2)	463393	892989
0	463385	892990
2	463387	892991
6	880886	892993
7	463390	892994
33	463392	892992



DC Coils with Surge Suppression Device Encapsulated

Coil S/A	DC Voltage	DIN Coil S/A	Coil Code
02-154795	12	02-154798	G
02-154767	24	02-154796	H

Refer to model code for ordering with surge suppression.



NOTE
Refer to other end of valve for common part numbers.

MODEL	DIAGRAM PLATE
DG4S2	577485
DG4S4	577486

- ▲ Included in F3 Seal Kit 892976
- ◇ Included in Fastener Kit 893005
- ‡ Included in Detent Kit 893006
- ◆ Included in Spool Kit
- Included in Coil Kit
- ⊞ Rounded face on 868952 washer must mate with spool
- ⊞ Torque 24-29 N.m (18-22 lbf. ft.)
- ¥ Torque 12.1-12.4 N.m (107-110 lbf. in.)
- † Torque 0.8-1.01 N.m (7-9 lbf. in.)