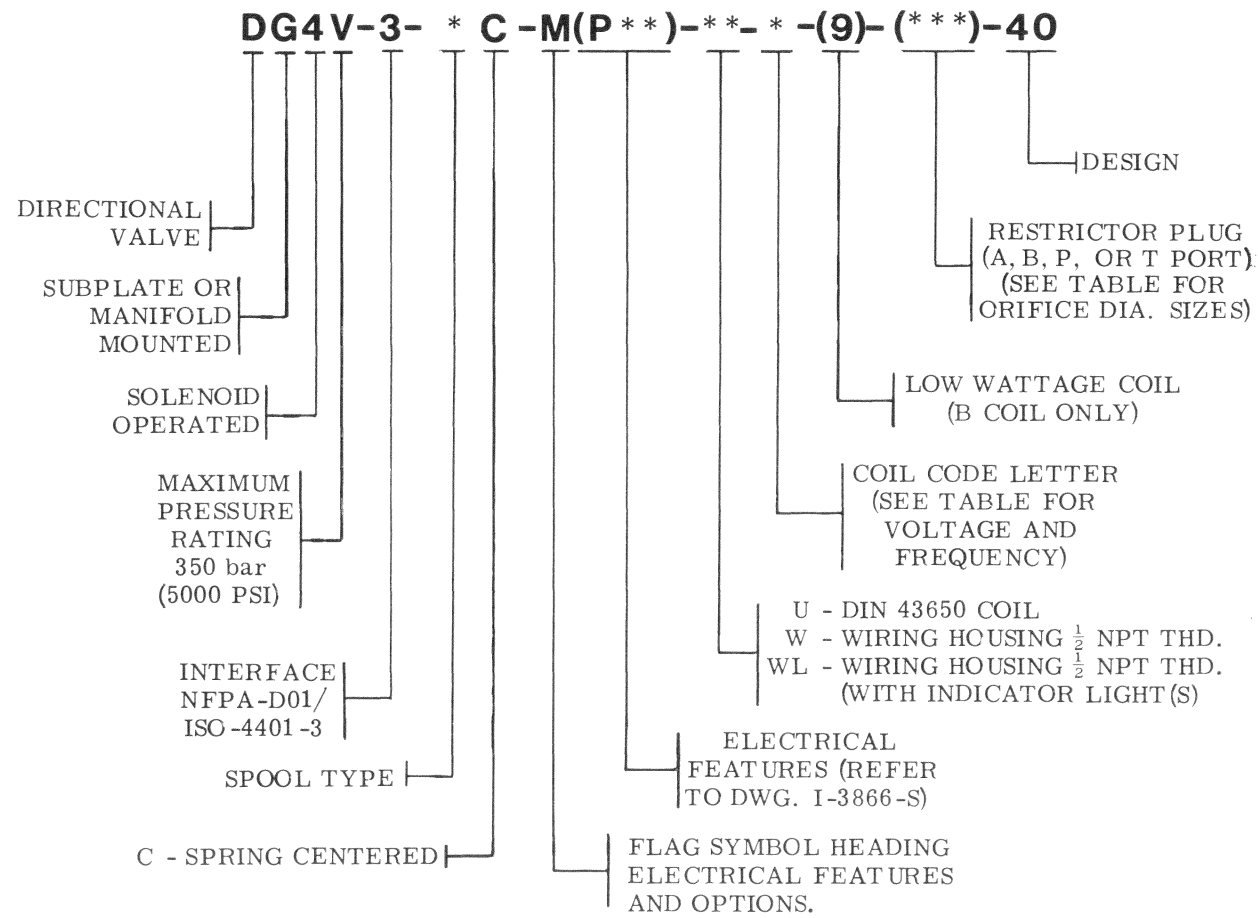


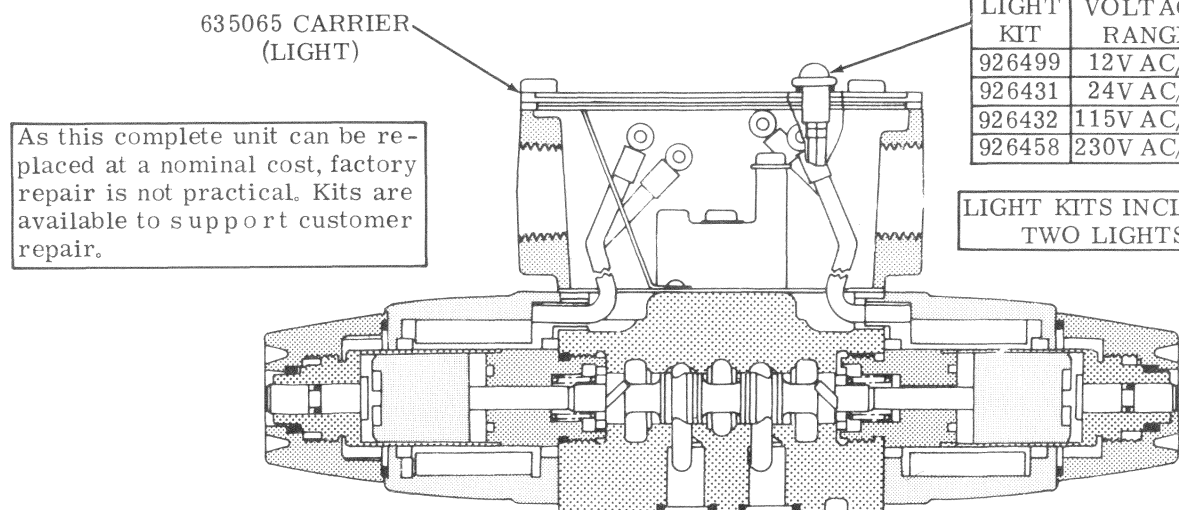
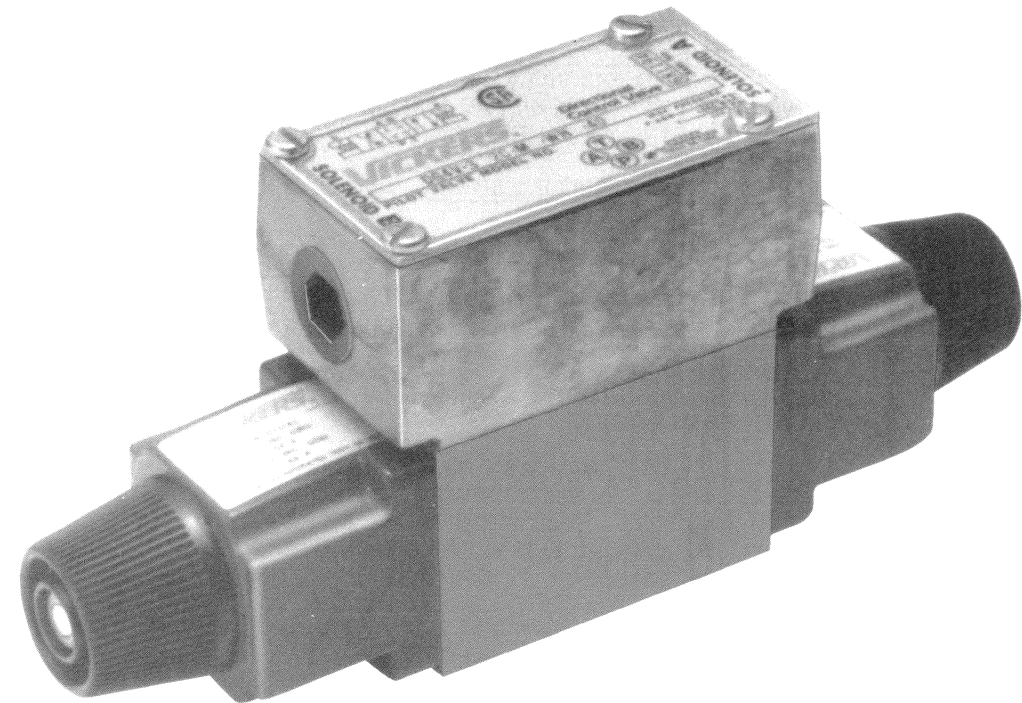
MODEL CODE BREAKDOWN



Service Parts Information

Solenoid Operated Directional Valve

DG4V-3-*C-M(P**)-**-*(9)-(***)-40 · Spring Centered



Vickers, Incorporated

1401 Crooks Road
Troy, Michigan 48084

Revised 8-1-86

I-3863-S

For satisfactory service life of these components in industrial applications, use full flow filtration to provide fluid which meets ISO cleanliness code 18/15 or cleaner. Selections from Vickers OFP, OFR, and OFRS series are recommended.

Litho in U. S. A.

DIN 43650 COIL S/A	COIL S/A	AC VOLT Hz	DC VOLT	COIL CODE
635061	633741	110/50, 115/60, 120/60		B
683312	989721	110/50, 115/60, 120/60		*B-9
635062	633742	220/50, 230/60, 240/60		D
683218	989764	24/50, 24/60		N
683310	683053	100/50, 100/60		T
681611	681404		32	DK
681423	989654		12	G
681610	989656		24	H
682552	682550		48	J

*B-9 REDUCED POWER CONSUMPTION COIL

SPOOL TYPE	SPOOL	SPOOL KIT
0C	635338	926362
1/11C	683314	926446
2C	631611	926363
3/31C	989593	926364
6/68C	631603	926365
7/78C	989592	926366
8C-S288	630305	926367
33C	635339	926368

SPOOL KIT ALSO INCLUDES PARTS PREFIXED WITH ▲ AND ■.

SCREW (METRIC)	
● STD (4 REQ'D)	DIN 43650 (2 REQ'D)
◆ 422004	468641
TORQUE 0.5-0.7 N.m (4.5 - 6.2 lb. in.)	

989583 SEAL (2 REQ'D) (NOT SHOWN)(WHEN USING 468641 SCREW FOR DIN 43650 MODELS)

*ASSEMBLE ROUNDED FACE OF WASHER TO MATE WITH SPOOL

PARTS PREFIXED WITH SYMBOLS AVAILABLE ONLY IN KITS

REFER TO DWG. I-3866-S FOR ELECTRICAL FEATURES AND OPTIONS

-ASSEMBLE TYPE 1 AND 3 SPOOLS WITH NARROW CENTER LAND TOWARDS 'A' PORT. THE TYPES 11 AND 31 SPOOLS ARE 1 AND 3 SPOOLS REVERSED WITH NARROW CENTER LAND TOWARDS 'B' PORT.

-A SPOOL DESIGNATION OF 68C/78C INDICATES VALVE IS USED AS A PILOT FOR TWO STAGE VALVES WITH 4 OR 8 TYPE MAIN STAGE SPOOLS. 68C IS USED WITH SPRING CENTERED UNITS. 78C IS USED WITH PRESSURE CENTERED UNITS. REFER TO DWG. J-682451 AND J-685777 FOR CORRECT NAMEPLATE LABEL.

- ▲ INCLUDED IN F3 SEAL KIT 920304
- ◆ INCLUDED IN FASTENER KIT 926433
- ◆ AVAILABLE ONLY IN KITS OF 25
- OMIT WHEN USING DIN 43650 COILS

DIN 43650 COIL MATING RECEPTACLES (NOT SHOWN)
710776 'A' SOLENOID (GRAY)
710775 'B' SOLENOID (BLACK)

DIN 43650 COIL S/A (SEE TABLE)(2 REQ'D) (INCLUDES LABEL)

■ 635313 SPRING (2 REQ'D) ◆
989712 SPRING (2 REQ'D) ◆
(USE WITH SPOOL TYPES 1, 6, 11 & 68 & WHEN USING B-9 COILS)

631604 BODY (NOT AVAILABLE FOR SALE)

■ SPOOL (SEE TABLE)

- ▲ 262336 "O" RING (2 REQ'D)
- 453531 'AC' PUSH PIN (2 REQ'D) ◆
- 684002 'AC' PUSH PIN (2 REQ'D) ◆ (TYPE 8 SPOOL ONLY)
- 635076 'DC' PUSH PIN (2 REQ'D) ◆
- ◆ 627789 WASHER (2 REQ'D) ◆
- ◆ 573643 WASHER (2 REQ'D) ◆ (USE WITH TYPE 2 SPOOL AND B-9 COIL ONLY)

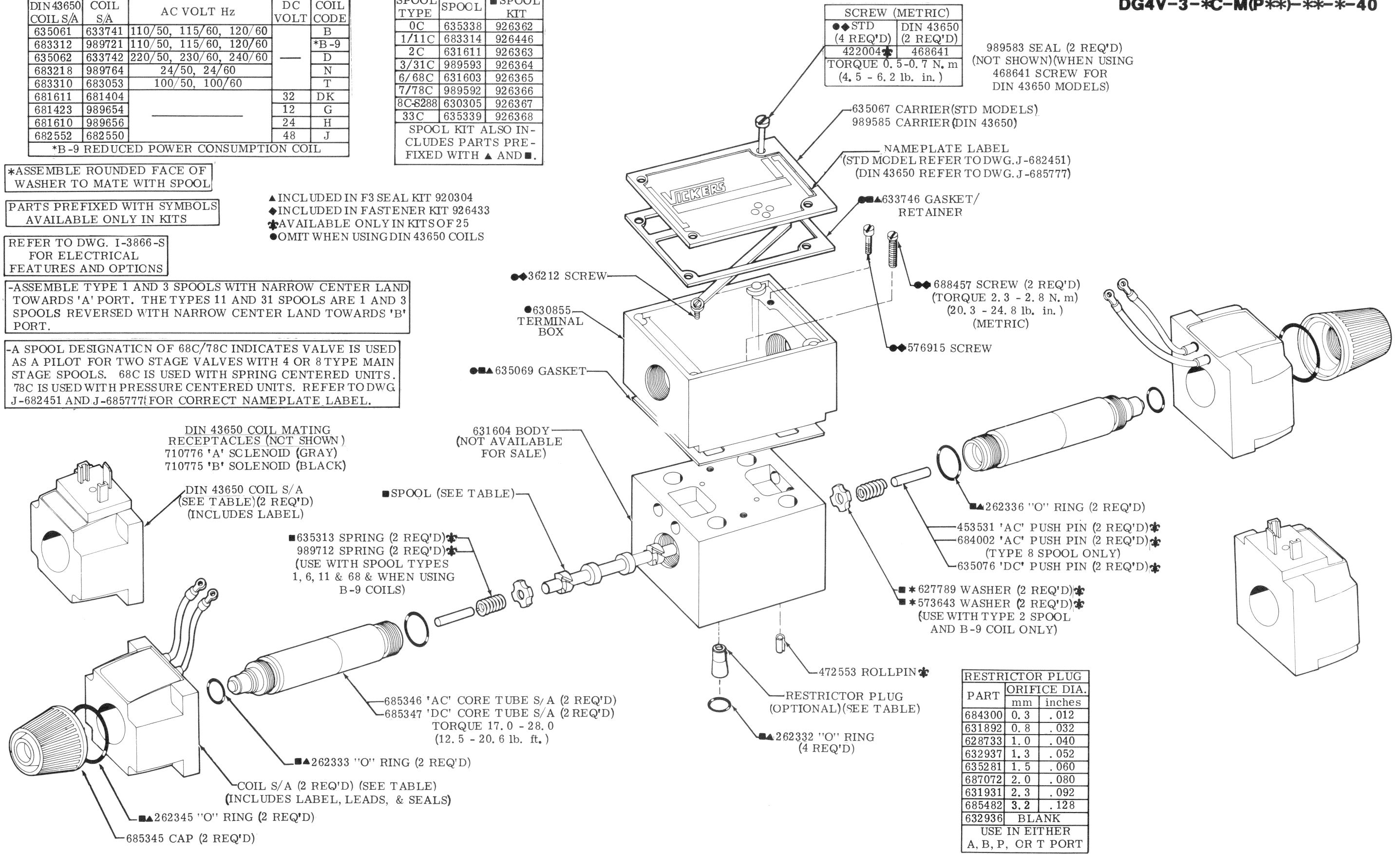
685346 'AC' CORE TUBE S/A (2 REQ'D)
685347 'DC' CORE TUBE S/A (2 REQ'D)
TORQUE 17.0 - 28.0 (12.5 - 20.6 lb. ft.)

▲ 262333 "O" RING (2 REQ'D)

COIL S/A (2 REQ'D) (SEE TABLE) (INCLUDES LABEL, LEADS, & SEALS)

▲ 262345 "O" RING (2 REQ'D)

685345 CAP (2 REQ'D)



PART	RESTRICTOR PLUG ORIFICE DIA.	
	mm	inches
684300	0.3	.012
631892	0.8	.032
628733	1.0	.040
632937	1.3	.052
635281	1.5	.060
687072	2.0	.080
631931	2.3	.092
685482	3.2	.128
632936	BLANK	
USE IN EITHER A, B, P, OR T PORT		