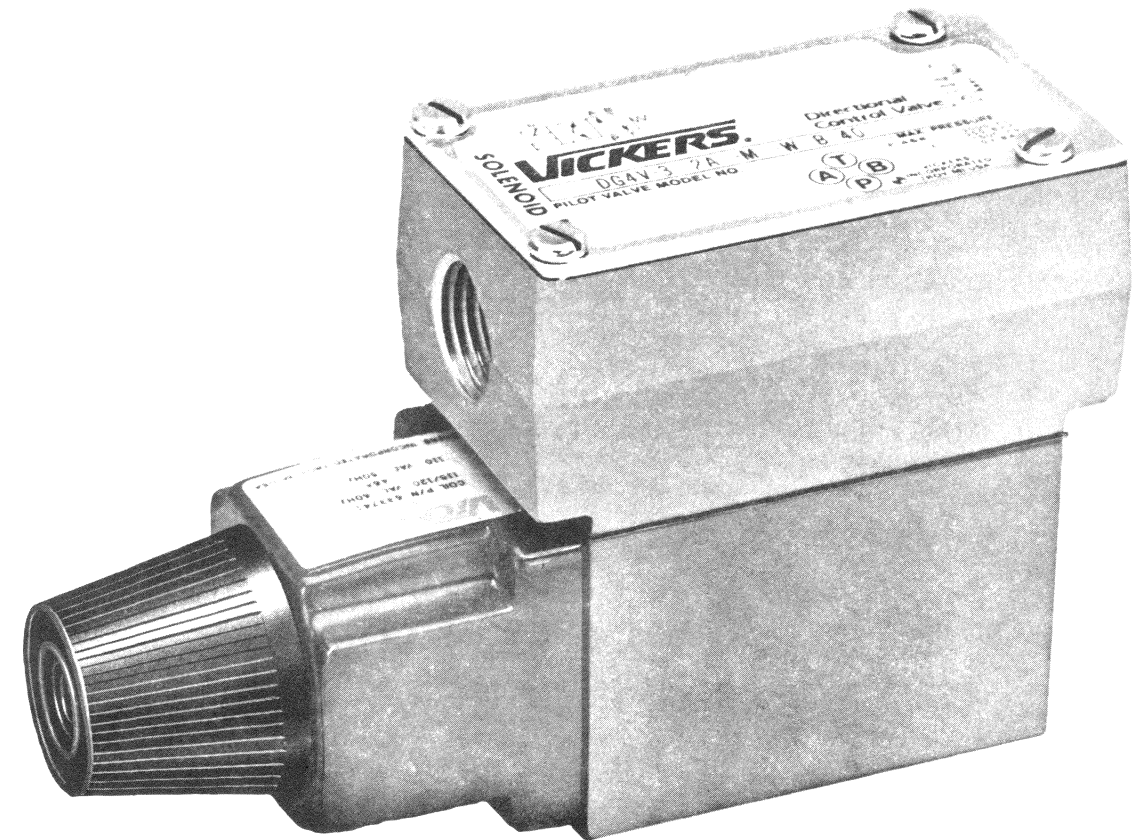




# Service Parts Information

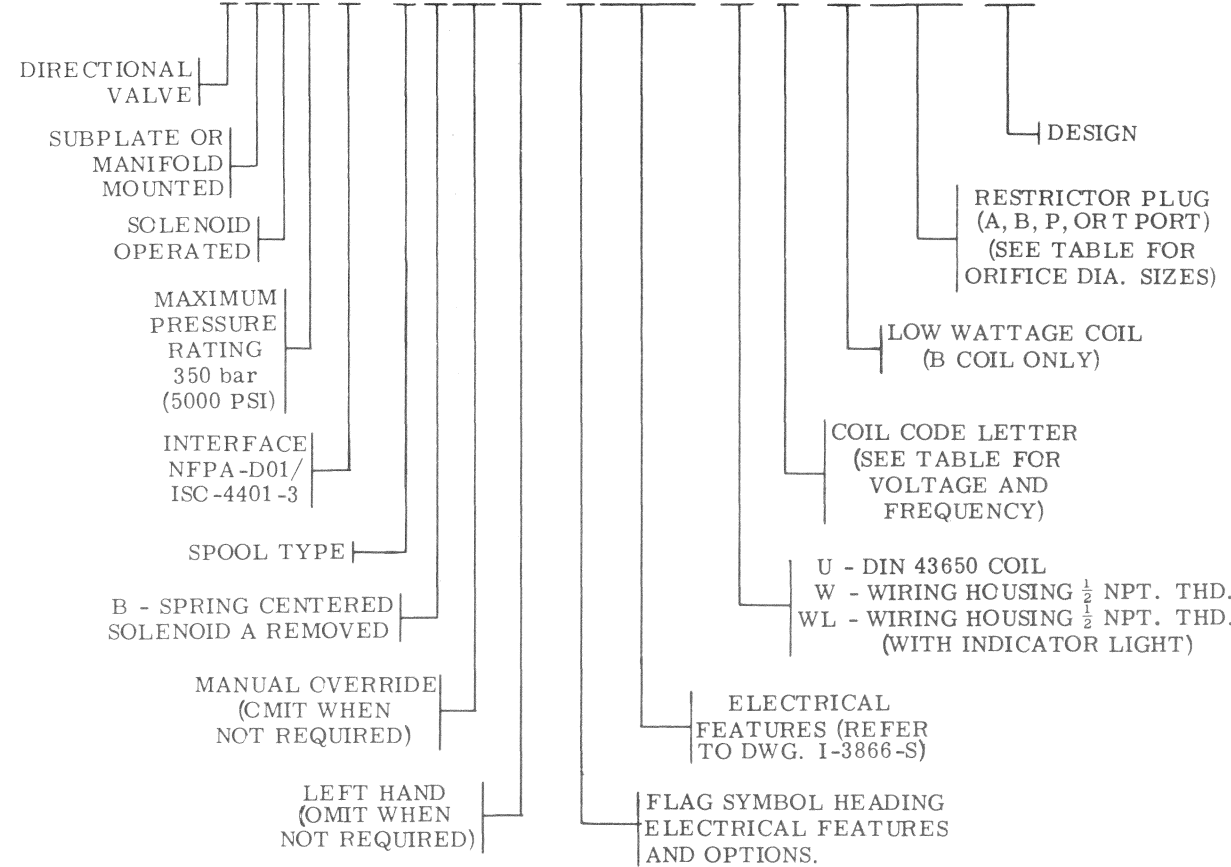
Solenoid Operated Directional Valve

DG4V-3-\*B-M(P\*\*)-\*\*\*-\*(9)-(\*\*\*)-40 Spring Centered



## MODEL CODE BREAKDOWN

DG4V-3- \* B(P)(L)-M(P \*\* )-\*\*\*-\*(9)-(\*\*\*)-40

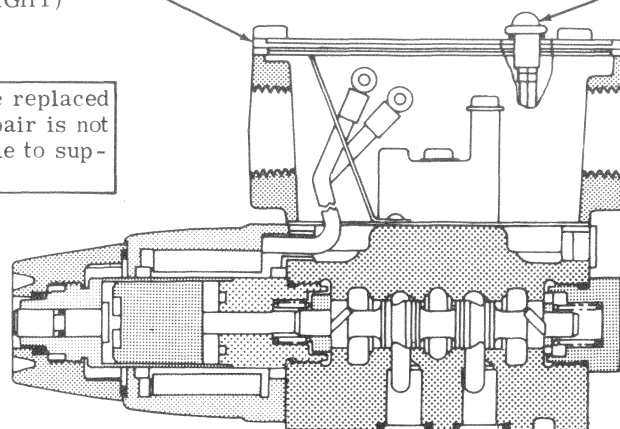


635065 CARRIER (LIGHT)

LIGHT KIT	VOLTAGE RANGE
926499	12V AC/DC
926431	24V AC/DC
926432	115V AC/DC
926458	230V AC/DC

LIGHT KITS INCLUDE TWO LIGHTS

As this complete unit can be replaced at a nominal cost, factory repair is not practical. Kits are available to support customer repair.



Vickers, Incorporated

1401 Crooks Road  
Troy, Michigan 48084

Revised 7-1-85

I-3862-S

For satisfactory service life of these components in industrial applications, use full flow filtration to provide fluid which meets ISO cleanliness code 18/15 or cleaner. Selections from Vickers OFP, OFR, and OFRS series are recommended.

Litho in U. S. A.

**DG4V-3-\*B-M(P\*\*)-\*\*-\*-40**

DIN43650 COIL S/A	COIL S/A	AC VOLT Hz	DC VOLT	COIL CODE
635061	633741	110/50, 115/60, 120/60		B
683312	989721	110/50, 115/60, 120/60		*B-9
635062	633742	220/50, 230/60, 240/60		D
683218	989764	24/50, 24/60		N
683310	683053	110/50, 100/60		T
681611	681404		32	DK
681423	989654		12	G
681610	989656		24	H
682552	682550		48	J

\*B-9 REDUCED POWER CONSUMPTION COIL

SPOOL TYPE	SPOOL	SPOOL KIT
0B	635338	926355
1/11B	683314	926446
2B	631611	926356
3/31B	989593	926357
6/68B	631603	926358
7B	989592	926359
8B-S288	705045	926360
33B	635339	926361

SPOOL KIT ALSO INCLUDES PARTS PREFIXED WITH ▲ AND ■.

SCREW (METRIC)	
●◆STD (4 REQ'D)	DIN 43650 (2 REQ'D)
422004	468641
TORQUE 0.5-0.7 N.m (4.5 - 6.2 lb. in.)	

989583 SEAL (2 REQ'D)  
(NOT SHOWN)(WHEN USING 468641 SCREW FOR DIN 43650 MODELS)

◆INCLUDED IN 926433 FASTENER KIT

\*ASSEMBLE ROUNDED FACE OF WASHER TO MATE WITH SPOOL

▲INCLUDED IN F3 SEAL KIT 920304

PARTS PREFIXED WITH SYMBOLS AVAILABLE ONLY IN KITS

REFER TO DRAWING I-3866-S FOR ELECTRICAL FEATURES & OPTIONS.

\*SUFFIX SYMBOL PERTAINS ONLY TO VICKERS MATERIAL CONTROL

-ASSEMBLE TYPE 1 AND 3 SPOOLS WITH NARROW CENTER LAND TOWARDS 'A' PORT. THE TYPES 11 AND 31 SPOOLS ARE 1 AND 3 SPOOLS REVERSED WITH NARROW CENTER LAND TOWARDS 'B' PORT.  
-A SPOOL DESIGNATION OF 68B INDICATES VALVE IS USED AS A PILOT FOR TWO STAGE VALVES WITH 4 OR 8 TYPE MAIN STAGE SPOOLS. 68B IS USED WITH SPRING CENTERED UNITS. REFER TO DWGS. J-682451 & J-685777 FOR NAMEPLATE LABEL.

NAMEPLATE LABEL  
(STD MODEL REFER TO DWG. J-682451)  
(DIN 43650 REFER TO DWG. J-685777)

635067 CARRIER (STD MODELS)  
989585 CARRIER (DIN 43650)

▲633746 GASKET/RETAINER

◆36212 SCREW

●630855 TERMINAL BOX

●▲635069 GASKET

631604 BODY (NOT AVAILABLE FOR SALE)

◆◆576915 SCREW

◆◆473714 SCREW (2 REQ'D)  
(TORQUE 2.3-2.8 N.m)  
(20.3 - 24.8 lb. in.)  
(METRIC)

■▲262336 "O" RING

676268 END CAP  
(TORQUE 17.0-28.0 N.m  
12.5 - 20.6 lb. ft.)

"P" FEATURE  
MANUAL OVERRIDE

DIN 43650 COIL MATING RECEPTACLES (NOT SHOWN)  
710776 'A' SOLENOID (GRAY L. H.)  
710775 'B' SOLENOID (BLACK R. H.)

DIN 43650 COIL S/A (SEE TABLE) (INCLUDES LABEL)

■ SPOOL (SEE TABLE)  
■627800 WASHER \*  
■635313 SPRING \*  
989712 SPRING \*  
(USE WITH SPOOL TYPES 1, 6, 11 & 68 & WHEN USING B-9 COILS)

■635313 SPRING \*  
989712 SPRING \*  
(USE WITH SPOOL TYPES 1, 6, 11 & 68 & WHEN USING B-9 COILS)

\*■627789 WASHER

■▲262332 "O" RING

676272 PLUNGER \*

■▲262336 "O" RING

676270 END CAP  
(TORQUE 17.0-28.0 N.m  
12.5 - 20.6 lb. ft.)

453531 'AC' PUSH PIN \*  
684002 'AC' PUSH PIN \*  
(TYPE 8 SPOOL)  
635076 'DC' PUSH PIN \*

■▲262336 "O" RING

685346 'AC' CORE TUBE S/A  
685347 'DC' CORE TUBE S/A  
(TORQUE 17.0 - 28.0 N.m  
12.5 - 20.6 lb. ft.)

■▲262333 "O" RING

COIL S/A (SEE TABLE) (INCLUDES LABEL)

685345 END CAP

472553 ROLL PIN \*

RESTRICTOR PLUG (OPTIONAL)(SEE TABLE)

■▲262332 "O" RING (4 REQ'D)

PART	ORIFICE DIA.	
	mm	inches
684300	0.3	.012
631892	0.8	.032
628733	1.0	.040
632937	1.3	.052
635281	1.5	.060
687072	2.0	.080
631931	2.3	.092
685482	3.2	.128
632936	BLANK	
USE IN EITHER A, B, P, OR T PORT		

RIGHT HAND ASSEMBLY SHOWN, EXCEPT 8B(P) AND 68B(P). FOR LEFT HAND ASSEMBLY. ALL PARTS ARE REVERSED EXCEPT BODY, SPOOL, AND TERMINAL BOX