

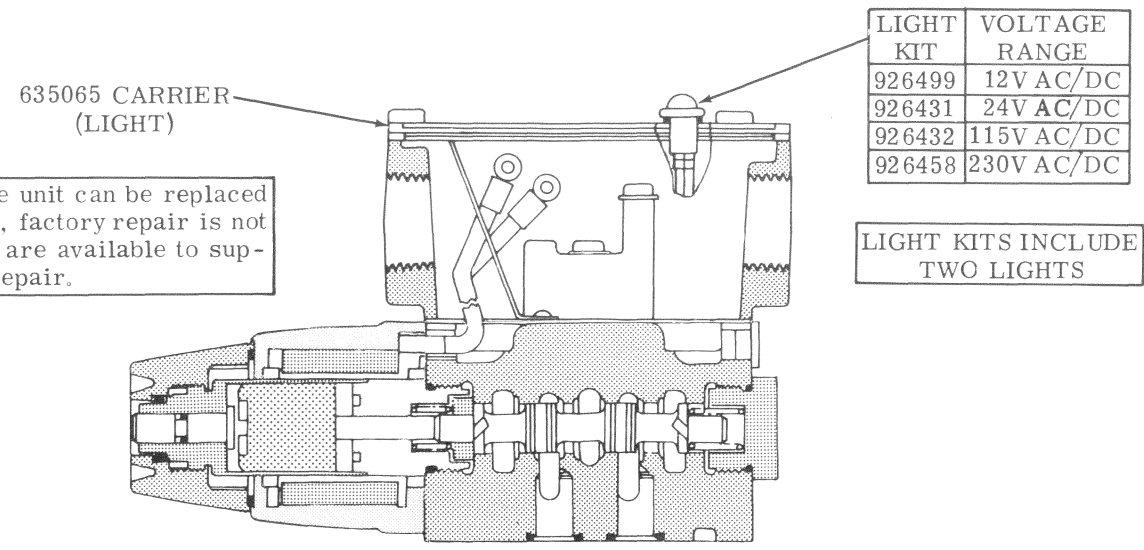
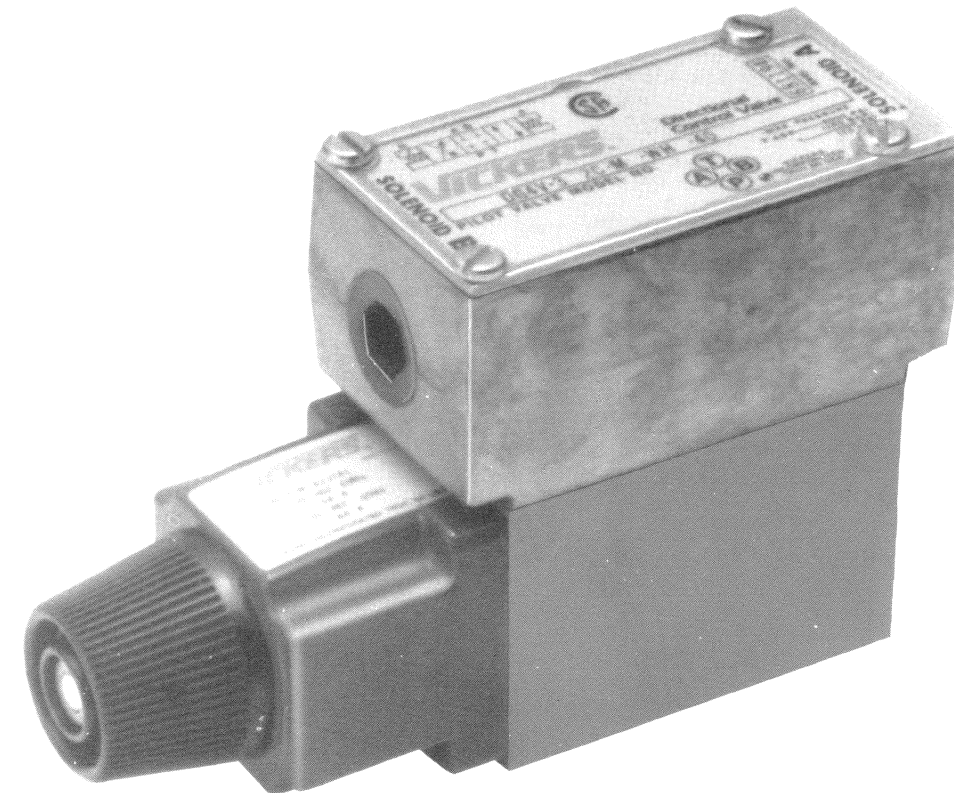
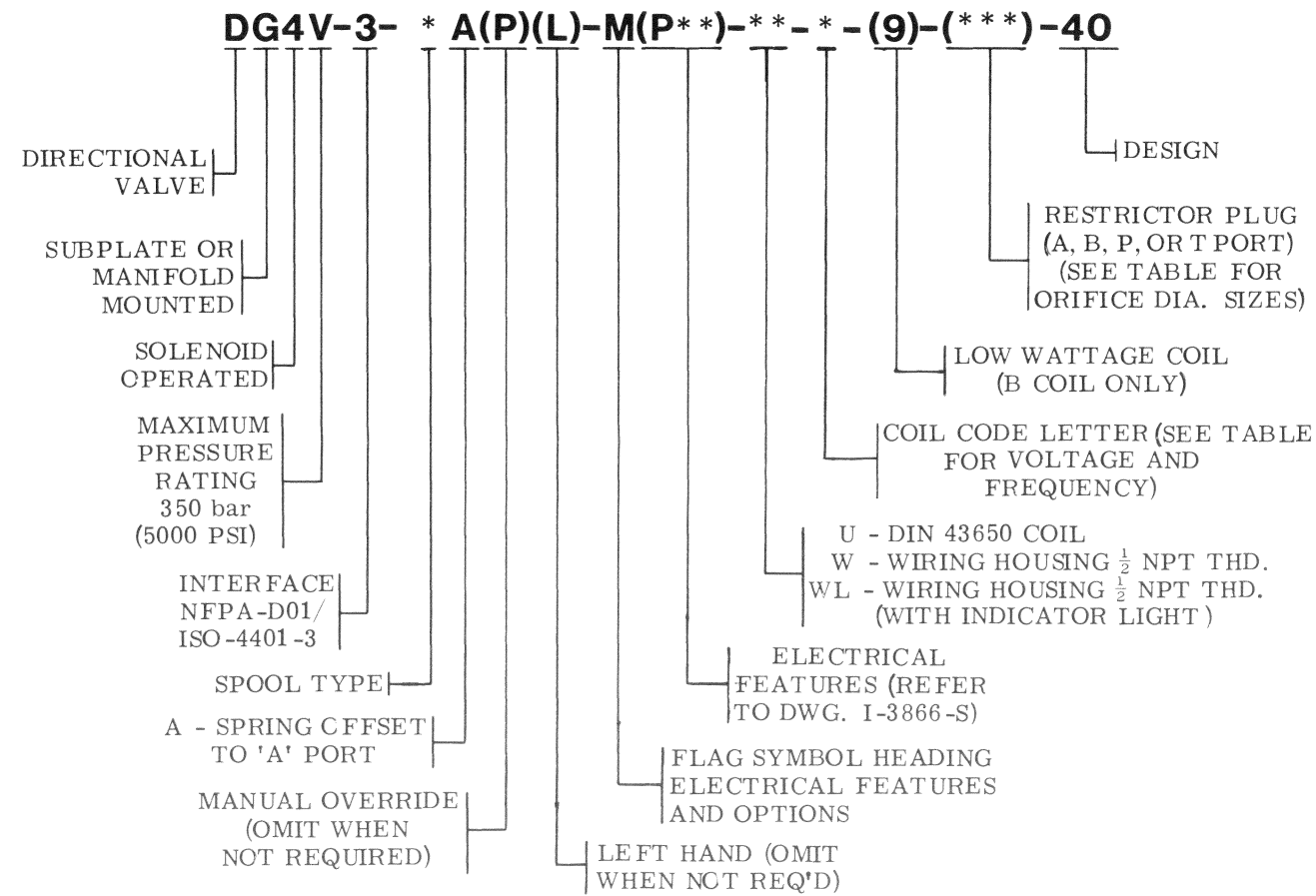


# Service Parts Information

**Solenoid Operated Directional Valve**

DG4V-3-\*A-M(P\*\*)-\*\*-\*(9)-(\*\*\*)-40 Spring Offset

## MODEL CODE BREAKDOWN



As this complete unit can be replaced at a nominal cost, factory repair is not practical. Kits are available to support customer repair.

Vickers, Incorporated

1401 Crooks Road  
Troy, Michigan 48084

Revised 8-1-86

I-3861-S

For satisfactory service life of these components in industrial applications, use full flow filtration to provide fluid which meets ISO cleanliness code 18/15 or cleaner. Selections from Vickers OFP, OFR, and OFRS series are recommended.

Litho in U S. A.

DIN 43650 COIL S/A	COIL S/A	AC VOLT Hz	DC VOLT	COIL CODE
635061	633741	110/50, 115/60, 120/60		B
683312	989721	110/50, 115/60, 120/60		*B-9
635062	633742	220/50, 230/60, 240/60		D
683218	989764	24/50, 24/60		N
683310	683053	100/50, 100/60		T
681611	681404		32	DK
681423	989654		12	G
681610	989656		24	H
682552	682550		48	J

\*B-9 REDUCED POWER CONSUMPTION COIL

SPOOL TYPE	SPOOL	■SPOOL KIT
0A	989594	926350
2/28A	631615	926351
6A	989595	926352
7A	989596	926353
22A	989649	926354

SPOOL KIT ALSO INCLUDES PARTS PRE-FIXED WITH ▲ AND ■.

SCREW (METRIC)	
◆STD (4 REQ'D)	DIN 43650 (2 REQ'D)
422004	468641
TORQUE 0.5-0.7 N.m (4.5 - 6.2 lb. in.)	

### DG4V-3-1A-M(P\*\*)-\*\*-\*-40

989583 SEAL (2 REQ'D)  
(NOT SHOWN) (WHEN USING  
468641 SCREW FOR  
DIN 43650 MODELS)

REFER TO I-3866-S FOR ELECTRICAL FEATURES AND OPTIONS

- ▲ INCLUDED IN F3 SEAL KIT 920304
- ◆ INCLUDED IN FASTENER KIT 926433
- ⊕ INCLUDED IN MANUAL OVERRIDE KIT 926462
- ✱ AVAILABLE ONLY IN KITS OF 25
- OMIT WHEN USING DIN 43650 COILS

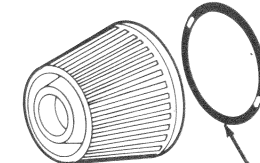
-A SPOOL DESIGNATION OF 28A INDICATES VALVE IS USED AS A PILOT FOR TWO STAGE VALVES WITH 4 OR 8 TYPE MAIN STAGE SPOOLS. REFER TO DWGS. J-682451 & J-685777 FOR NAMEPLATE.

-ASSEMBLE TYPE 0A SPOOL WITH LONGER SPOOL END TOWARDS SOLENOID.  
-ASSEMBLE TYPE 7A SPOOL WITH REDUCED AND UNSLOTTED END DIA. TOWARDS SOLENOID.

PARTS WITH SYMBOLS AVAILABLE ONLY IN KITS

DIN 43650 COIL MATING RECEPTACLES (NOT SHOWN)  
710776 'A' SOLENOID (GRAY L. H.)  
710775 'B' SOLENOID (BLACK R. H.)

DIN 43650 COIL S/A (SEE TABLE) (INCLUDES LABEL)



685345 END CAP

COIL S/A (SEE TABLE) (INCLUDES LABEL, LEADS, & SEALS)

631604 BODY (NOT AVAILABLE FOR SALE)

■SPOOL (SEE TABLE)

■627800 WASHER ✱

■635313 SPRING ✱  
989712 SPRING ✱ (USE WITH TYPE 22A SPOOL OR B-9 COIL)

453531 'AC' PUSH PIN ✱  
635076 'DC' PUSH PIN ✱

■▲262336 "O" RING

685346 'AC' CORE TUBE S/A  
685347 'DC' CORE TUBE S/A  
TORQUE 17.0 - 28.0 N.m (12.5 - 20.6 lb. ft.)

■▲262333 "O" RING

●▲633746 GASKET/RETAINER

●●36212 SCREW

●630855 TERMINAL BCX

●▲635069 GASKET

635067 CARRIER (STD MODELS)  
989585 CARRIER (DIN 43650)

NAMEPLATE LABEL (STD MODELS REFER TO DWG. J-682451) (DIN 43650 REFER TO DWG. J-685777)

●●688457 SCREW (2 REQ'D) (TORQUE 2.3 - 2.8 N.m) (20.3 - 24.8 lb. in.) (METRIC)

●●576915 SCREW

■▲676560 PLUG

■635313 SPRING ✱  
989712 SPRING ✱ (USE WITH TYPE 22A SPOOL OR B-9 COIL)

"P" FEATURE MANUAL OVERRIDE

●■▲262332 "O" RING

⊕676271 PLUNGER ✱

⊕■▲262336 "O" RING

⊕676270 END CAP (TORQUE 17.0-28.0 N.m) (12.5 - 20.6 lb. ft.)

RESTRICTOR PLUG (OPTIONAL) (SEE TABLE)

■▲262332 "O" RING (4 REQ'D)

PART	RESTRICTOR PLUG ORIFICE DIA.	
	mm	inches
684300	0.3	.012
631892	0.8	.032
628733	1.0	.040
632937	1.3	.052
635281	1.5	.060
687072	2.0	.080
631931	2.3	.092
685482	3.2	.128
632936	BLANK	
USE IN EITHER A, B, P, OR T PORT		

RIGHT HAND ASSEMBLY SHOWN, EXCEPT 28A(P). FOR LEFT HAND ASSEMBLY, ALL PARTS ARE REVERSED, EXCEPT BODY AND TERMINAL BOX.