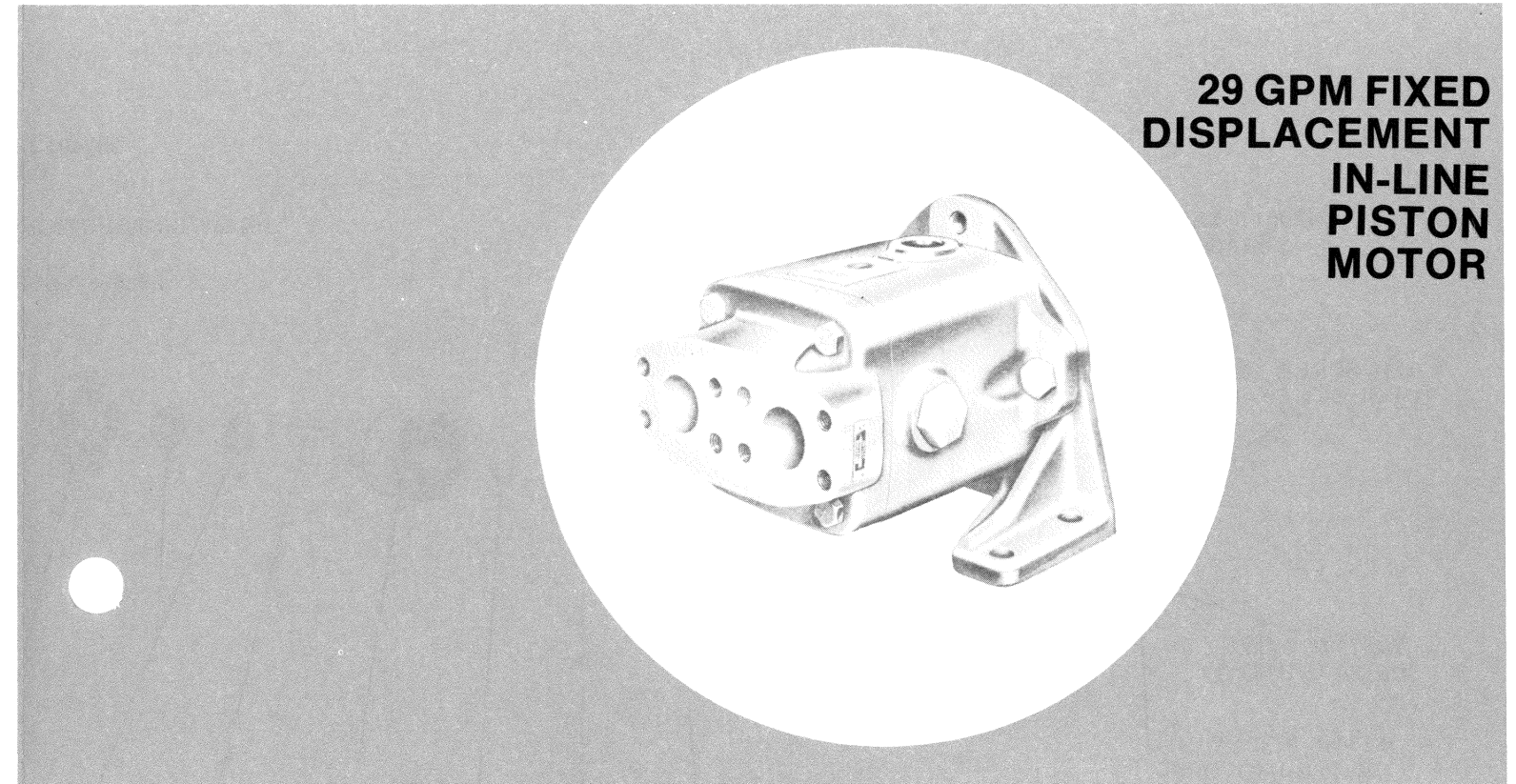
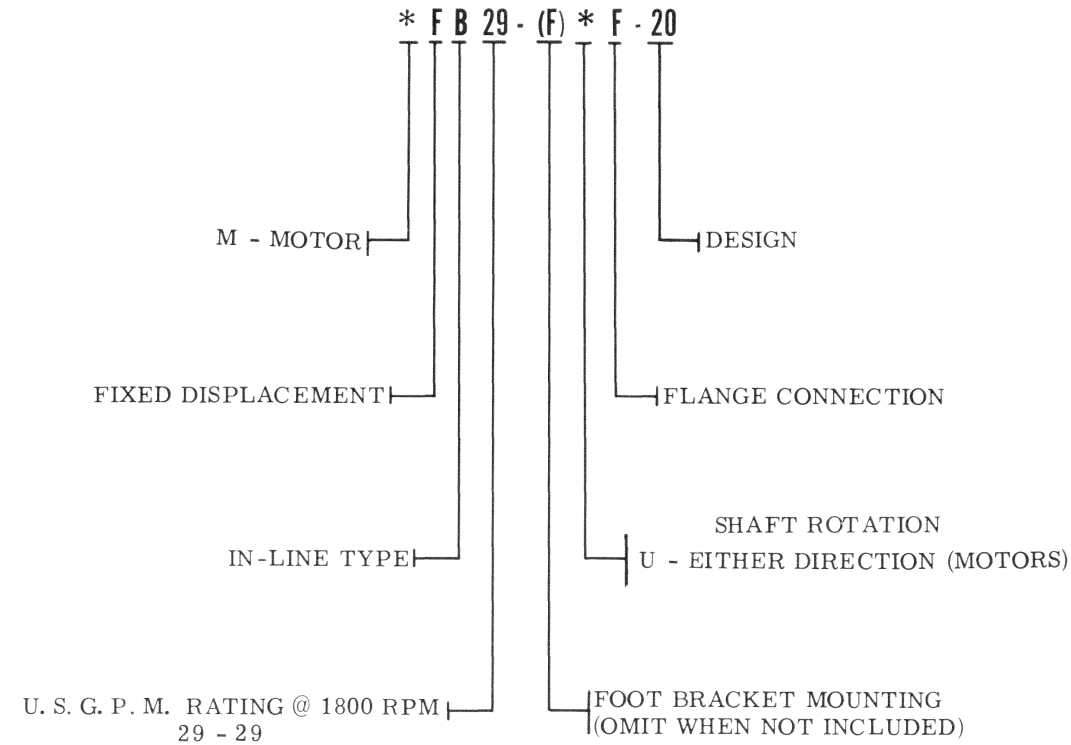


MODEL CODE BREAKDOWN



**SERVICE
PARTS
INFORMATION**

MFB29-(F)UF-20

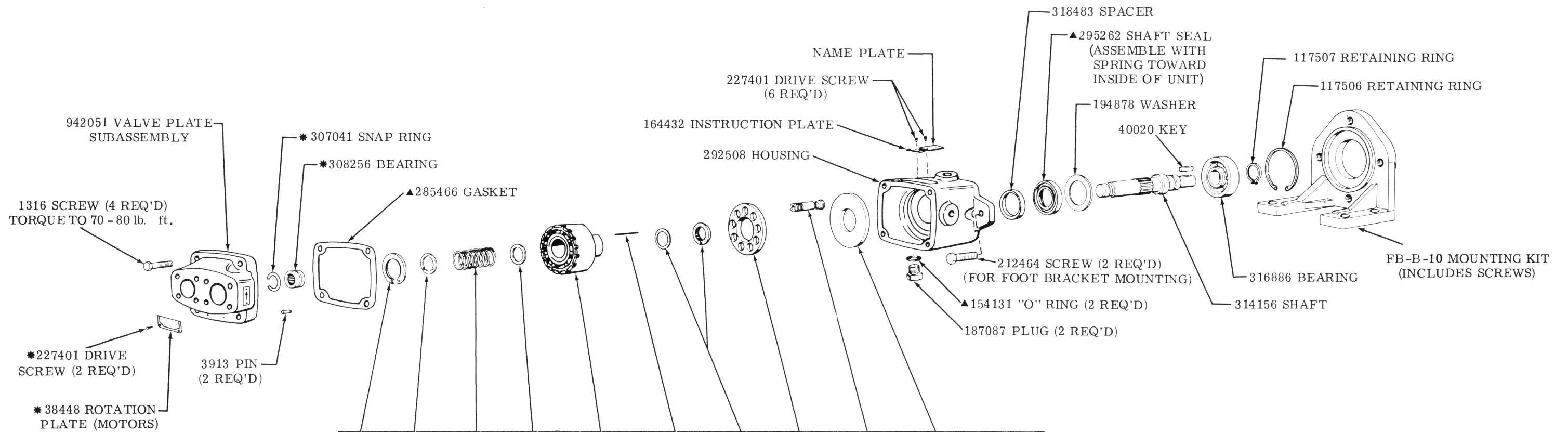
To insure sustained efficiency and maximum trouble-free life of this precision equipment, initial and continuous filtration of the fluid medium to 25 microns absolute or less is essential. (For information pertaining to Sperry Vickers economical 3 or 10 micron filters, see installation drawing 522140.)

Litho in U. S. A.

SPERRY VICKERS
TROY, MI. 48084

Revised 1-1-80

I-3741-S



RET. RING	LIFT LIMITER	SPRING	THRUST WASHER	CYLINDER BLOCK	PIN (3 REQ'D)	WASHER SUBASSY	SHOE PLATE	PISTONS/A KIT	SWASH PLATE	ROTATING GROUP KIT
THESE PARTS ARE INCLUDED IN										
194025	244931	246387	238780	287454	248835	938392	248609	941885	239335	938295

*INCLUDED IN VALVE PLATE SUBASSEMBLY

INCLUDED IN 919242 SEAL KIT

F3 EQUIVALENT 919313 SEAL KIT

