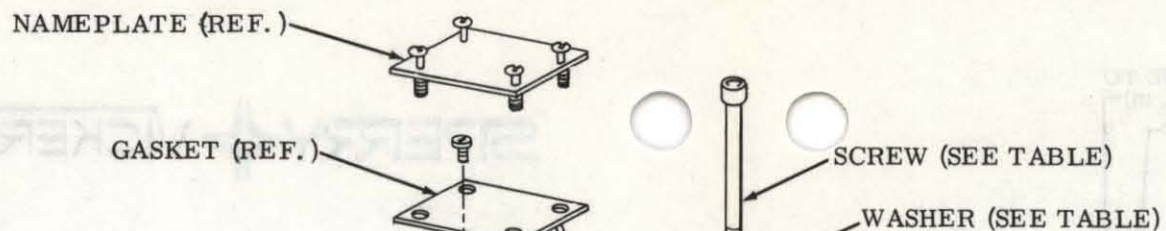


NOTE  
SEE BACK PAGE FOR  
SOLENOID INDICATOR LIGHTS

VALVE MODEL	MAIN STAGE SPOOL TYPE	PILOT VALVE MODEL CODE (SEE BACK PAGE)
DF5S4-16*A*-53	0, 2, 6, 9, 33	DG4S4-012A-*-50-S344
DF5S4-16*B*-53	0, 1, 2, 3, 6	DG4S4-016B-*-50-S344
	9, 31, 33	
DF5S4-16*C*-53	4 & 8	DG4S4-0168B-*-50-S344
	0, 1, 2, 3, 6	
DF5S4-16*N*-53	9, 31, 33	DG4S4-016C-*-50-S344
	4 & 8	
	0, 2, 6, 9, 33	DG4S4-012N-*-51-S344



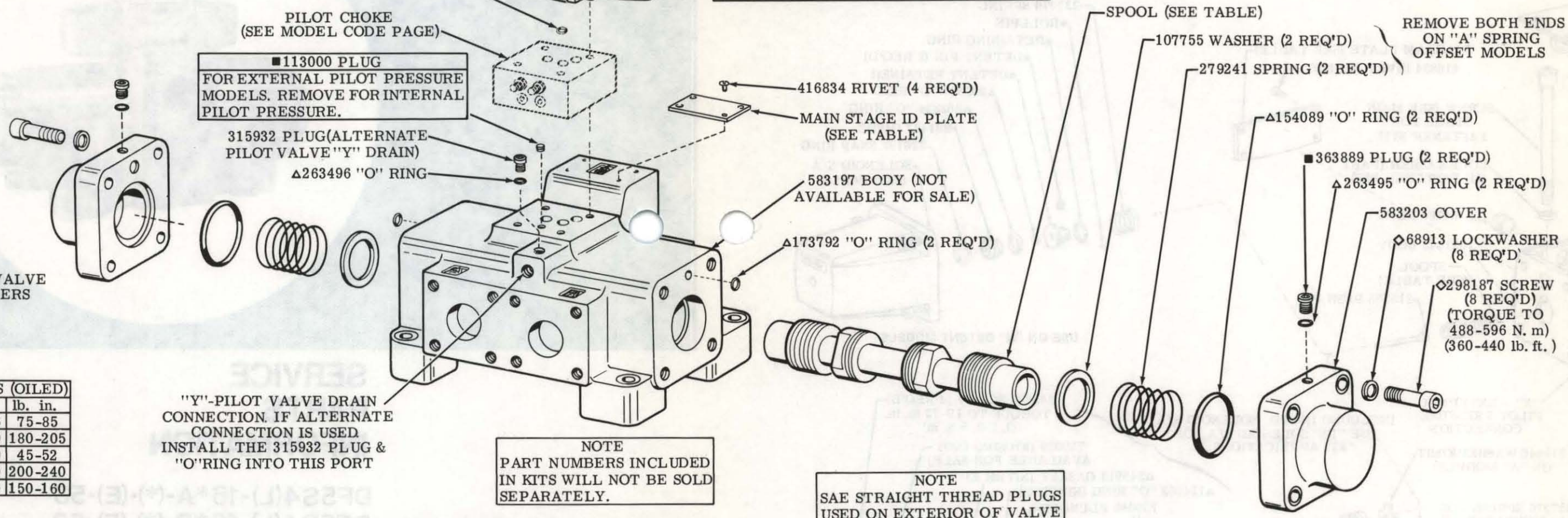
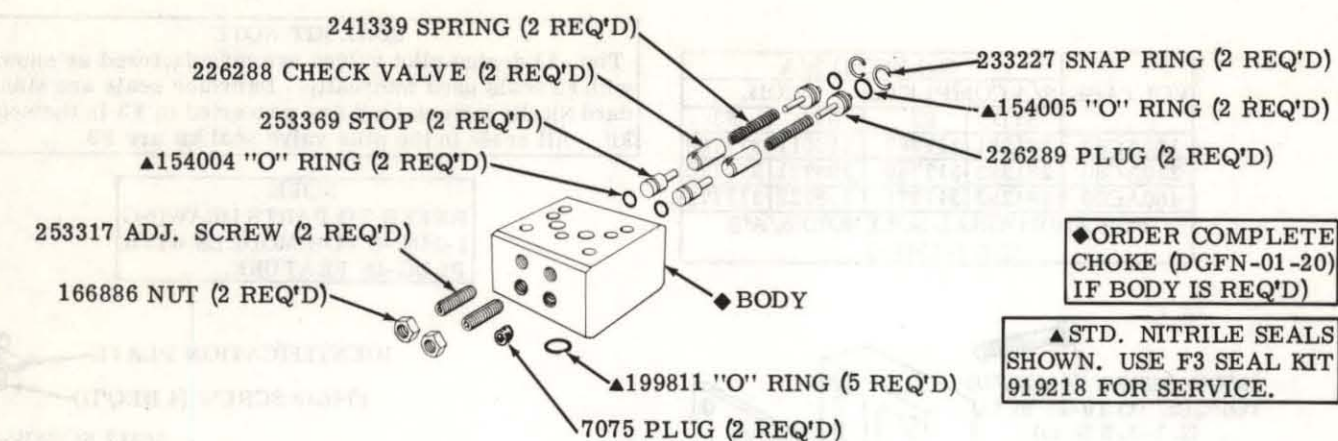
THIS SOLENOID IS REMOVED ON "A" & "B" MODELS

PILOT ATTACHING PARTS		
MODEL	SCREW (4 REQ'D)	WASHER (4 REQ'D)
W/OUT PILOT CHOKE	□ 1034	□ 68907
WITH PILOT CHOKE	□ 10937	□ 68907

TORQUE TO 100-112 lb. in. (11.3-12.7 N. m)  
SEE OTHER PAGE FOR PILOT CHOKE PARTS

VALVE MODEL	VALVE TYPE	SPOOL	MAIN STAGE ID PLATE W/CIRCUIT DIAGRAM	
			"A" ONLY	B/C/N
DF5S4-160-	A/B/C/N	273677		400976
DF5S4-161-	B/C	*386581		400977
DF5S4-162-	A/B/C/N	273676		400978
DF5S4-163-	B/C	*275803	400975	400979
DF5S4-164-		*273720		400980
DF5S4-166-	A/B/C/N	275804		400981
DF5S4-168-	B/C	*275805		400980
DF5S4-169-	A/B/C/N	275806		400976
DF5S4-1631-	B/C	*275803		580475
DF5S4-1633-	A/B/C/N	317777		400981

\* SEE SPOOL ASSEMBLY NOTE

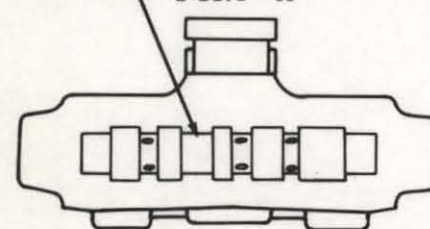


SEE OTHER END OF VALVE FOR PART NUMBERS

■ PLUG TORQUES (OILED)		
PLUG	N. m	lb. in.
7074	8.5- 9.6	75-85
7075	20.0-23.0	180-205
113000	5.0- 5.9	45-52
315932	22.5-27.0	200-240
363889	16.9-18.0	150-160

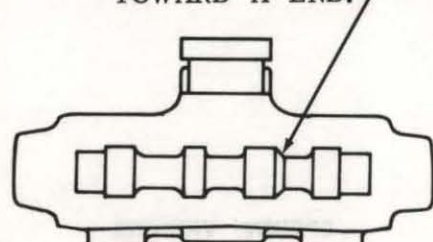
"Y"-PILOT VALVE DRAIN CONNECTION. IF ALTERNATE CONNECTION IS USED, INSTALL THE 315932 PLUG & "O" RING INTO THIS PORT

ASSEMBLE TYPE 4 & 8 SPOOLS WITH WIDE UNDERCUT TOWARD "A" END. "A" END OF VALVE IS DEFINED AS BEING CLOSEST TO CYLINDER PORT "A"



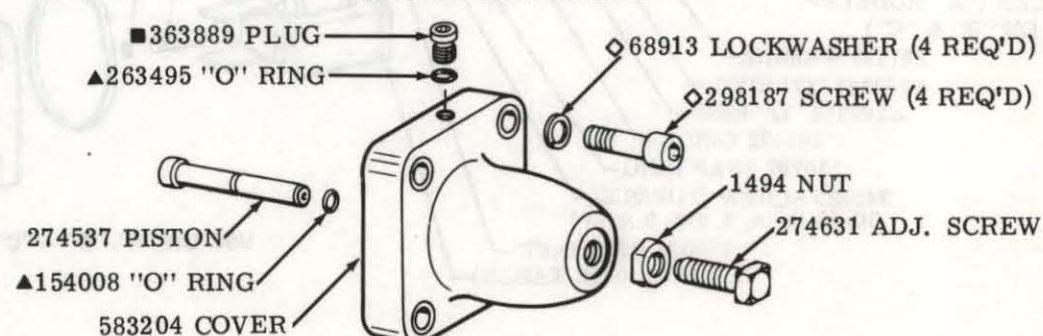
\*SPOOL ASSEMBLY

ASSEMBLE TYPE 1 & 3 SPOOLS WITH TAPER TOWARD "B" END. TYPE 31 SPOOL IS ASSEMBLED WITH TAPER TOWARD "A" END.

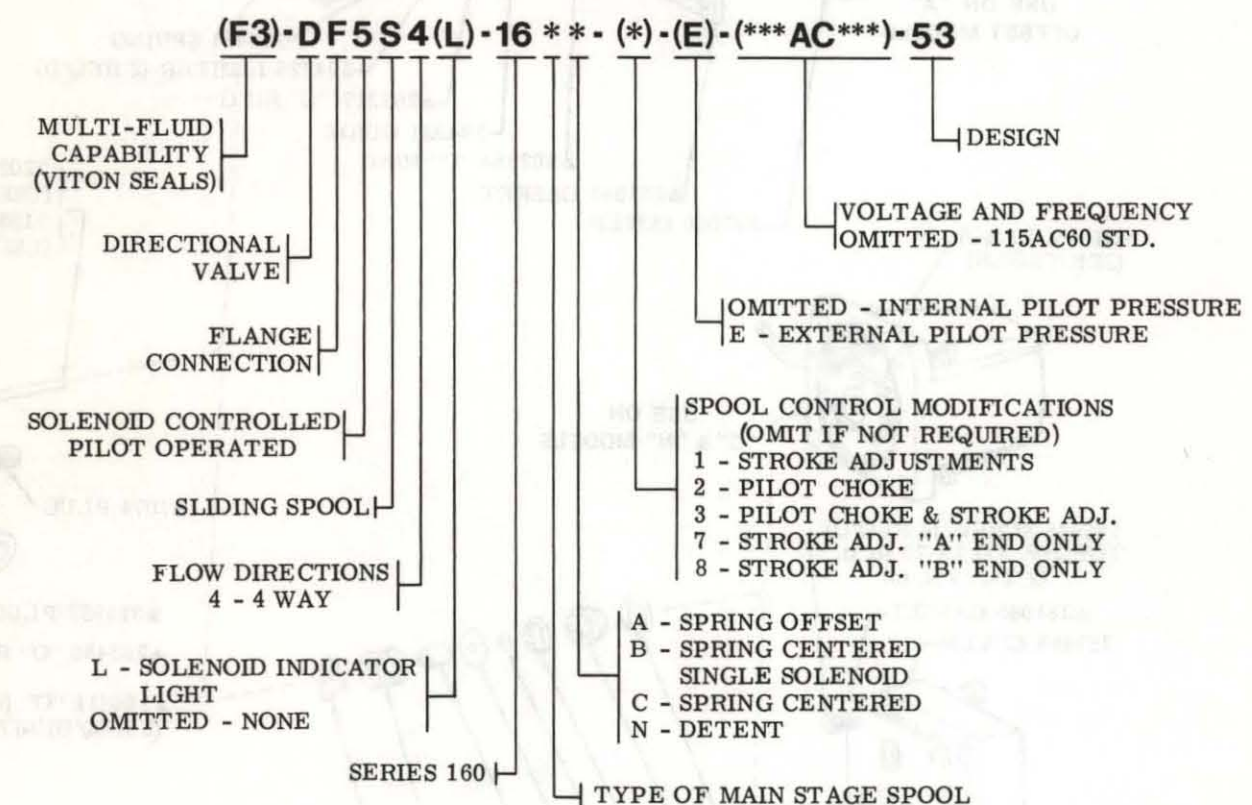


- ▲▲ INCLUDED IN SEAL KIT 919405 F3 EQUIVALENT SEAL KIT 919434
- INCLUDED IN BOLT KIT 255633
- ◆ INCLUDED IN BOLT KIT 255637
- ◇ INCLUDED IN FASTENER KIT 941292
- PLUG TORQUES (SEE TABLE)

STROKE ADJ. PARTS



MODEL CODE BREAKDOWN



ELECTRICAL PLUG FEATURE (OMIT IF NOT REQUIRED)

PA - INSTA-PLUG, MALE RECEPTACLE ONLY  
PB - INSTA-PLUG, MALE & FEMALE RECEPTORS

PA3 (3 PIN) & PA5 (5 PIN) RECEPTACLES THAT MEET NFPA HYDRAULIC VALVE ELECTRICAL STANDARD T3.5.29M-1980.

To insure sustained efficiency and maximum trouble-free life of this precision equipment, initial and continuous filtration of the fluid medium to 35 microns absolute or less is essential. (For information pertaining to Sperry Vickers economical filters, see bulletin 81-216.)



VOLTAGE	SOLENOID S/A			
	S/A COMPLETE		COIL	
	STD	F3	STD	F3
115AC60	281291	317767	316011	317768
230AC60	281292	317769	298721	317770
460AC60	281293	317771	298722	317772

FOR ADDITIONAL SOLENOID S/A'S  
SEE I-3544-S

**SEAL KIT NOTE**  
The -53 design pilot valves are manufactured as shown with F3 seals used internally. Interface seals are standard Nitrile material and are converted to F3 in the seal kit. All seals in the pilot valve seal kit are F3.

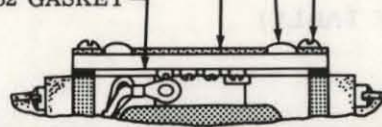
**NOTE**  
REFER TO PARTS DRAWING I-3487-S FOR MODELS WITH PLUG-IN FEATURE.

**NOTE**  
FOR SINGLE SOLENOID MODELS RIGHT HAND ASSEMBLY SHOWN. FOR LEFT HAND ASSEMBLY ALL PARTS ARE REVERSED, EXCEPT BODY & SPOOL. Ex. LH MODEL: DG4S4-01\*\*-\*5\*-S344-LH

**NOTE**  
A SPOOL DESIGNATION OF (68B) INDICATES VALVE IS ASSEMBLED "LH" & IS USED AS A PILOT FOR TWO STAGE VALVES WITH "4" OR "8" TYPE MAIN STAGE SPOOLS.

SPOOL TYPE	DIAGRAM PLATE			
	PART	LH	RH	"B" & "C" "N"
2	213131	577490	290348	577486
6	213232	—	—	—
68	—	—	577480	—

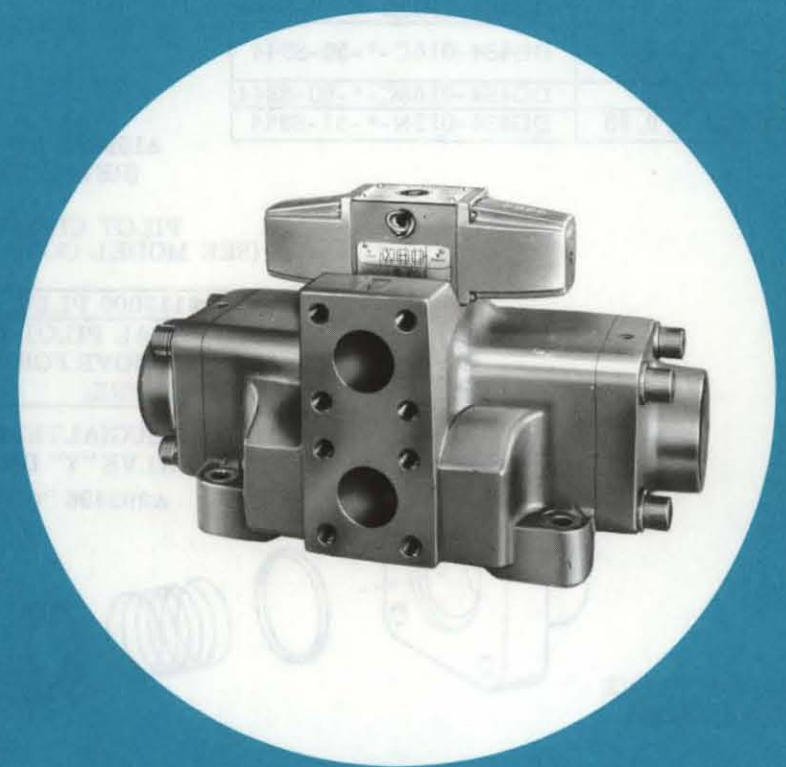
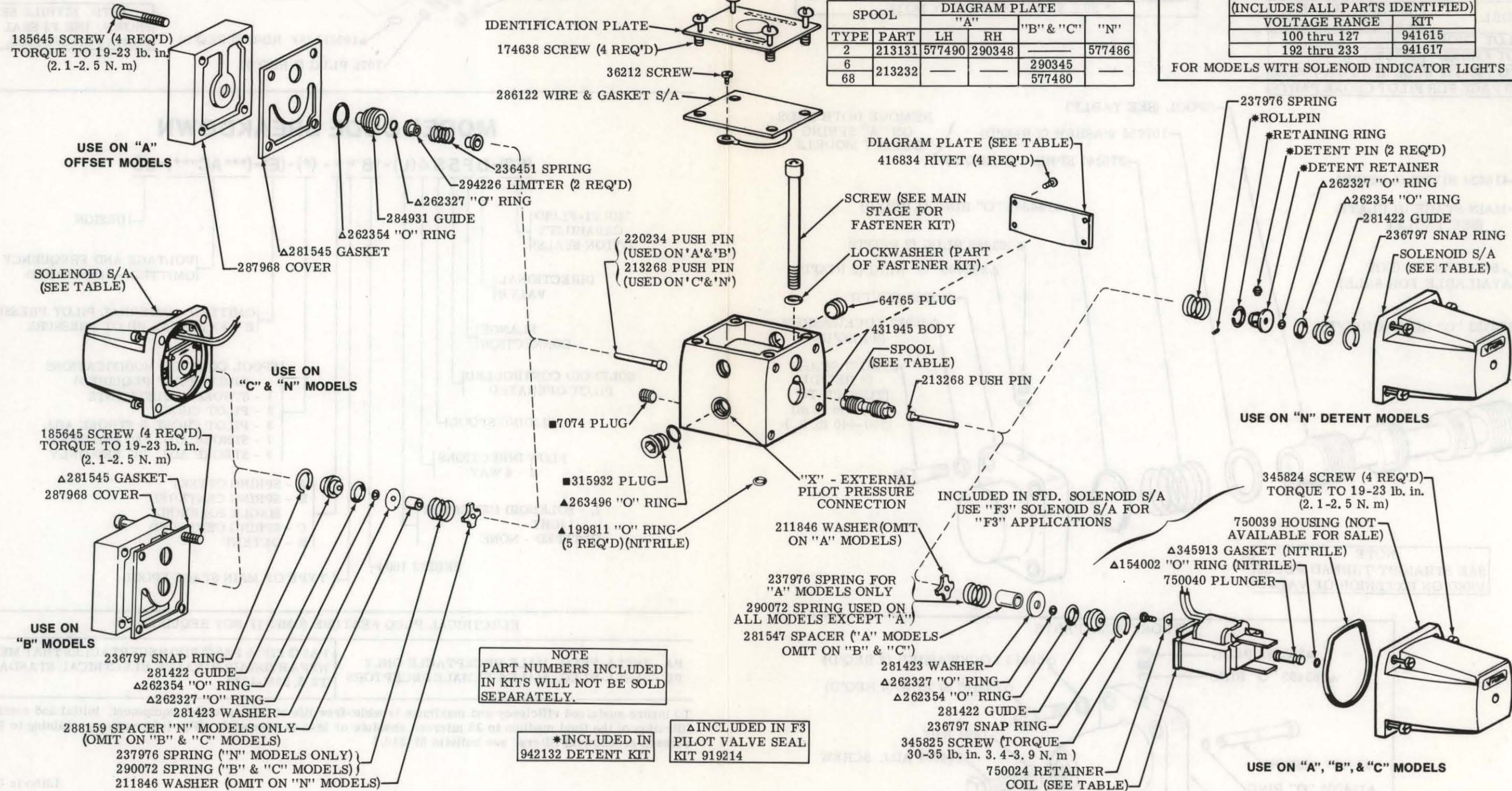
298785 SCREW (TORQUE TO 7-9 lb. in, 0.8-1.0 N. m)  
SOLENOID INDICATOR LIGHT IDENTIFICATION PLATE  
298782 GASKET



**SOLENOID INDICATOR LIGHT KIT (INCLUDES ALL PARTS IDENTIFIED)**

VOLTAGE RANGE	KIT
100 thru 127	941615
192 thru 233	941617

FOR MODELS WITH SOLENOID INDICATOR LIGHTS



**AIR GAP SOLENOID CONTROLLED PILOT OPERATED DIRECTIONAL CONTROL VALVES**

**SERVICE PARTS INFORMATION**

- DF5S4(L)-16\*A-(\*)-(E)-53
- DF5S4(L)-16\*B-(\*)-(E)-53
- DF5S4(L)-16\*C-(\*)-(E)-53
- DF5S4(L)-16\*N-(\*)-(E)-53

SPERRY VICKERS  
TROY, MI. 48084