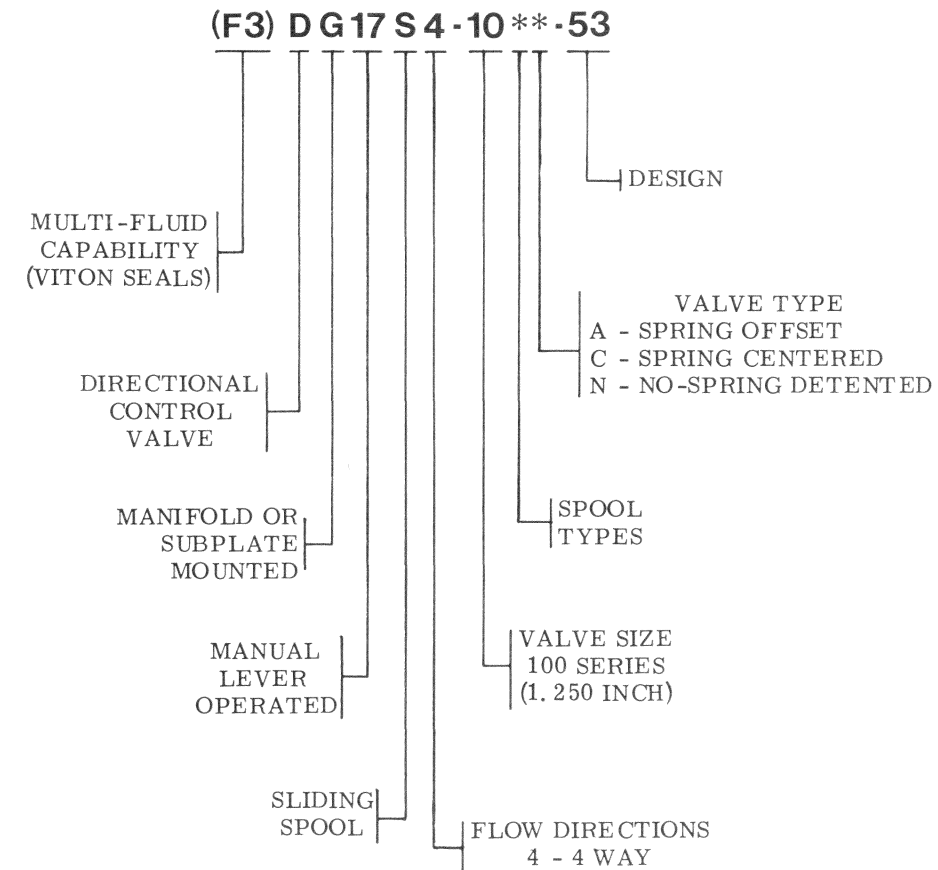




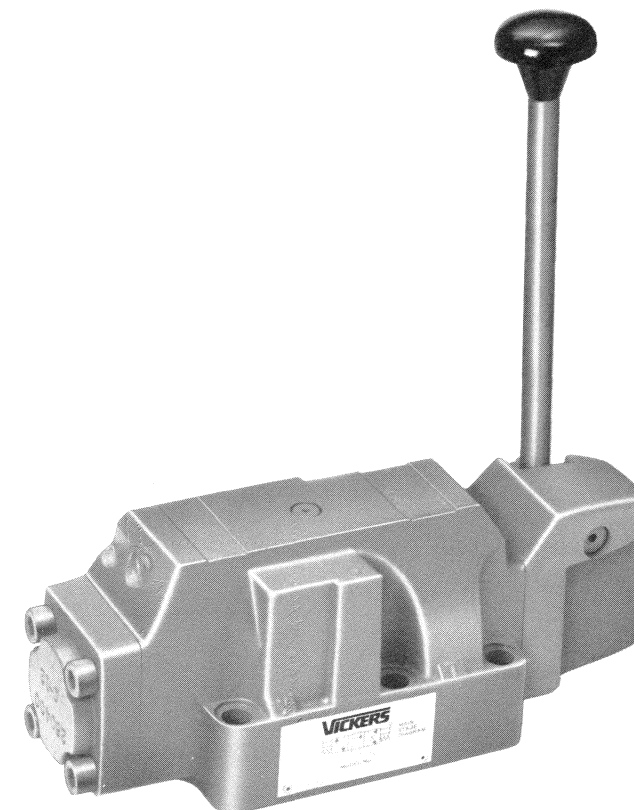
Service Parts Information

MODEL CODE BREAKDOWN



Manual Lever
Operated
Directional
Valve

DG17S4-10*A-53
DG17S4-10*C-53
DG17S4-10*N-53



Vickers, Incorporated

1401 Crooks Road
Troy, Michigan 48084

Revised 9-1-85

I-3564-S

For satisfactory service life of these components in industrial applications, use full flow filtration to provide fluid which meets ISO cleanliness code 18/15 or cleaner. Selections from Vickers OFP, OFR, and OFRS series are recommended.

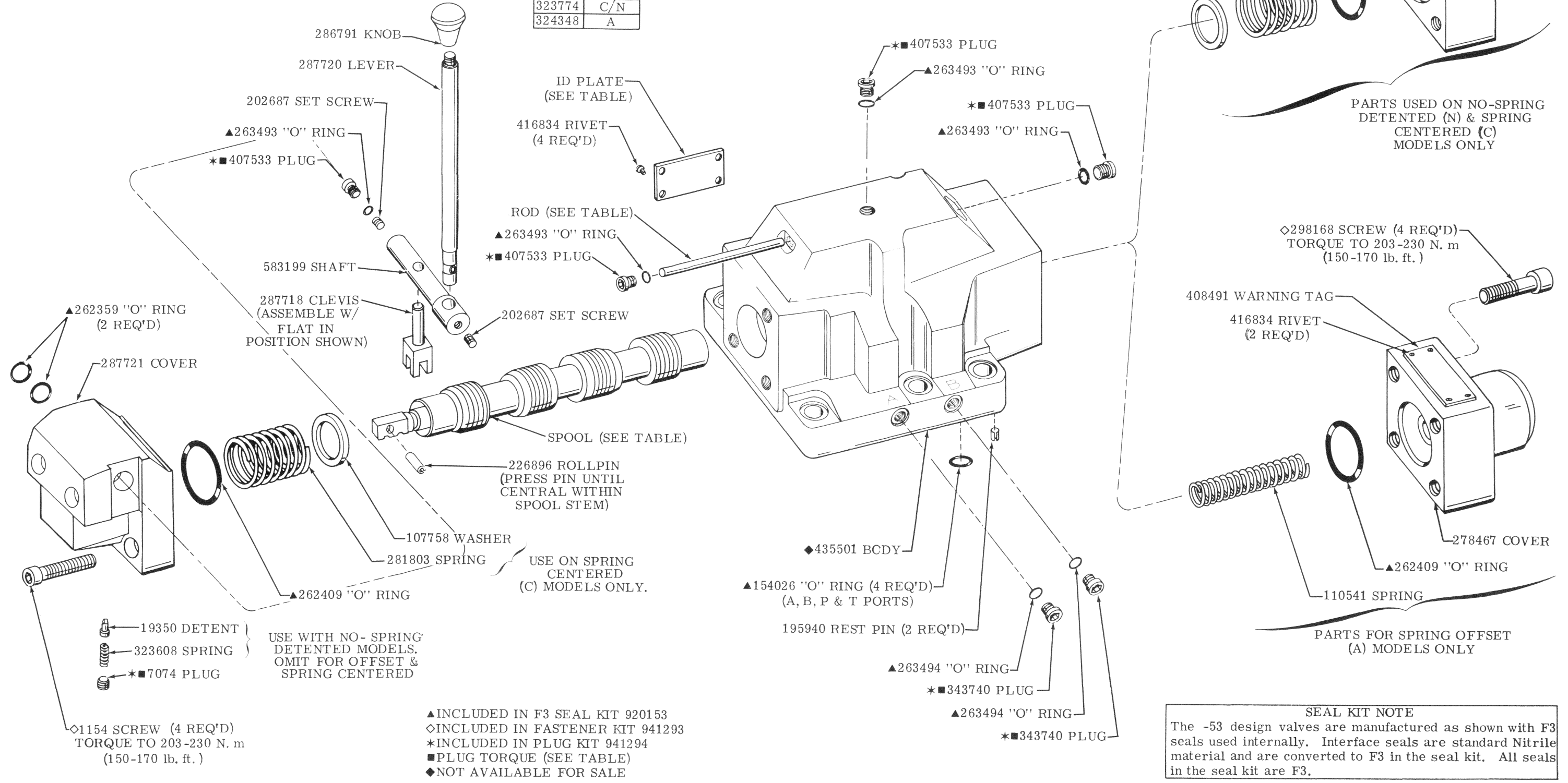
MODEL	SPOOL	ID PLATE W/ CIRCUIT DIAGRAM			
		OFFSET A		SPRING	NO-SPRING
		LH	RH	CNTR(C)	DETENT(N)
DG17S4-100A/C/N	282281	434310	431539	431900	431903
DG17S4-102A/C/N	282287			431540	431541
DG17S4-104C/N	282286			431549	431905
DG17S4-106A/C/N	282283	434310	431539	431902	431906
DG17S4-108C/N	282339			431549	431905
DG17S4-1033A/C/N	282285	434310	431539	431902	431906

NOTE
RIGHT HAND POSITION SHOWN. REVERSE END COVERS, SPOOL, & SPRING FOR LEFT HAND ASSEMBLY. CHANGE ID PLATE TO LEFT HAND (L. H.) ON SPRING OFFSET MODELS.

NOTE
PARTS INCLUDED IN SERVICE KITS NOT SOLD SEPARATELY

PLUG TORQUE		
PLUG	N. m.	lb. in.
7074	8.47 - 9.6	75 - 85
343740	10.0 - 11.8	90 - 105
407533	3.4 - 4.0	30 - 35

ROD	MODEL
323774	C/N
324348	A



SEAL KIT NOTE
The -53 design valves are manufactured as shown with F3 seals used internally. Interface seals are standard Nitrile material and are converted to F3 in the seal kit. All seals in the seal kit are F3.