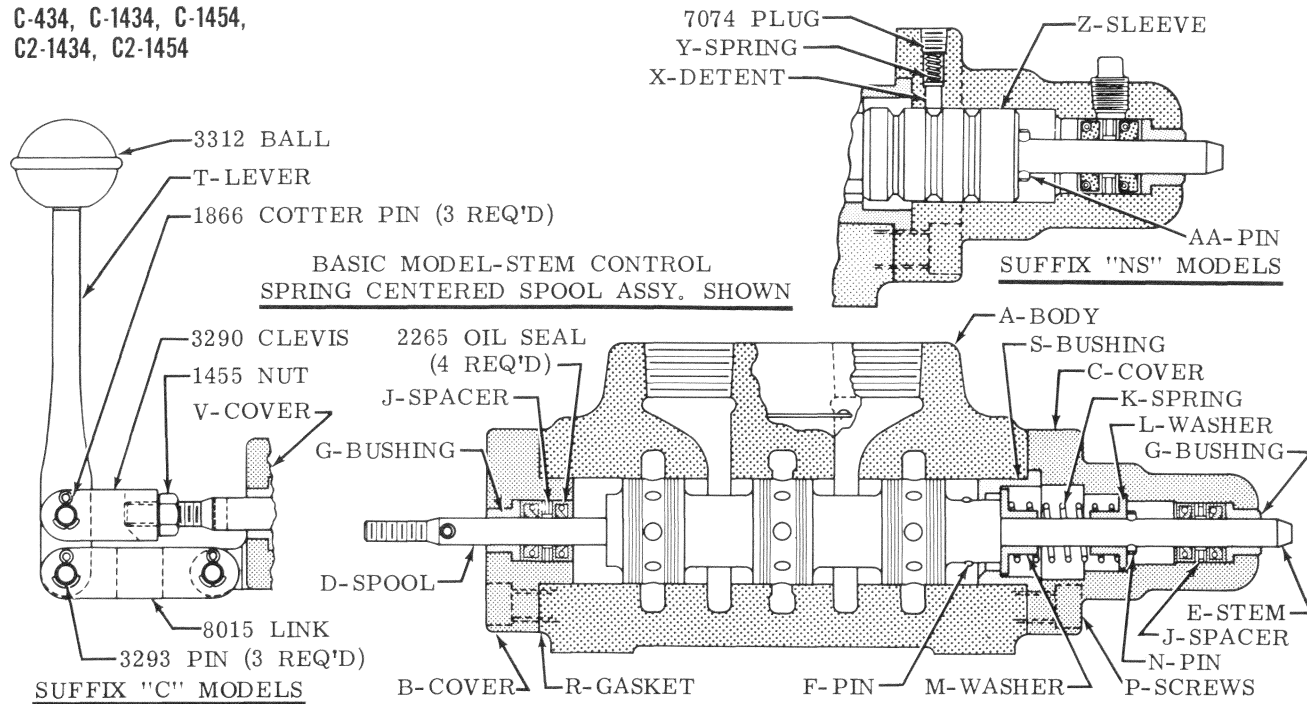


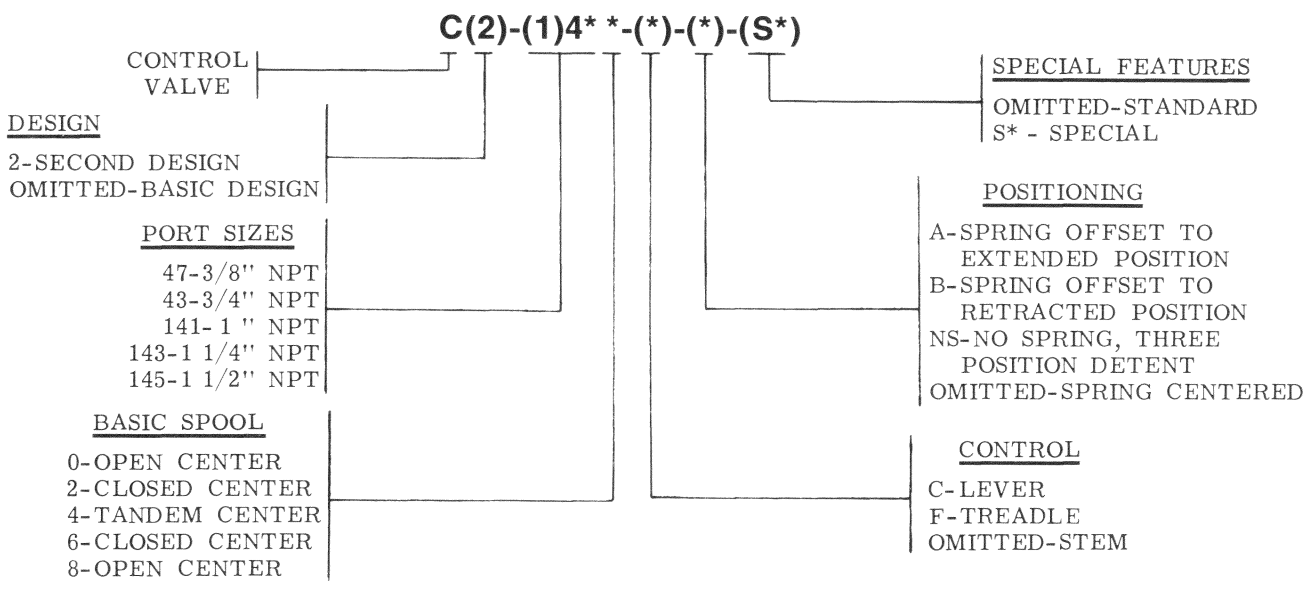
C-434, C-1434, C-1454,
C2-1434, C2-1454



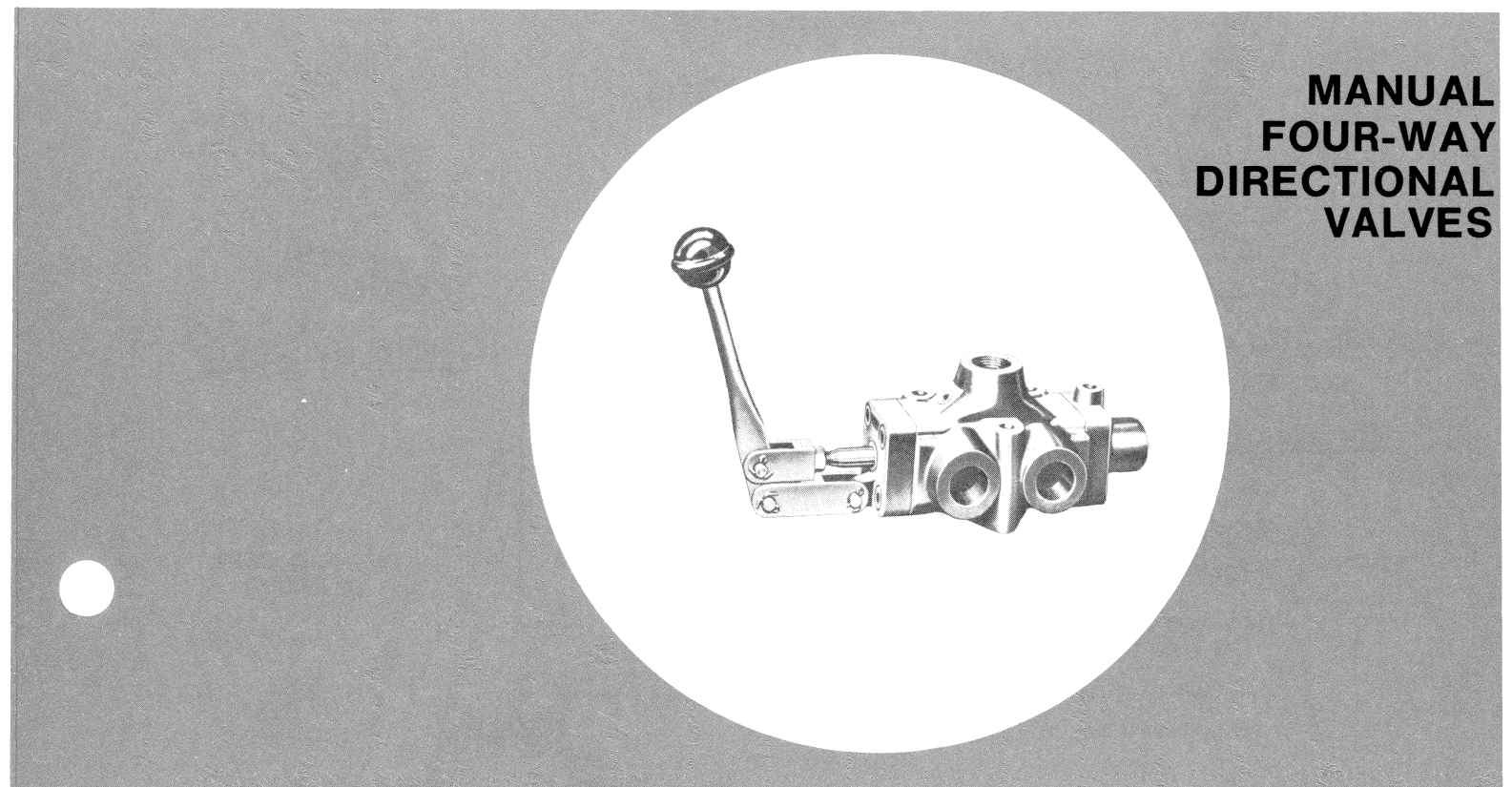
PART LETTER AND NAME	SUFFIX LETTER	NO. REQ.	C-434	C-1434	C-1454	C2-1434	C2-1454
A BODY	ALL	1	5646	5701	17232	5701	17232
B COVER	EXCEPT -C	1	3346	5702	5702	---	---
C COVER	EXCEPT -NS	1	3345	5703	5703	---	---
	-NS	1	5841	20666	20666	31477	31477
D SPOOL	EXCEPT -NS	1	3350	5705	5705	---	---
	-NS	1	19436	5705	5705	5705	5705
E STEM	EXCEPT -NS	1	---	5706	5706	---	---
	-NS	1	---	20664	20664	5706	5706
F PIN	ALL	1	---	12273	12273	12273	12273
G BUSHING	ALL	2	3355	2794	2794	2794	2794
J SPACER	ALL	2	3356	5465	5465	5465	5465
K SPRING	EXCEPT -NS	1	2949	2953	2953	---	---
L WASHER	EXCEPT -NS	1	3354	5707	5707	---	---

PART LETTER AND NAME	SUFFIX LETTER	NO. REQ.	C-434	C-1434	C-1454	C2-1434	C2-1454
M WASHER	EXCEPT -NS	1	3353	5708	5708	---	---
N PIN	EXCEPT -NS	1	10187	10327	10327	---	---
P SCREWS	ALL	8	1071	1113	1113	1113	1113
R GASKET	ALL	2	40191	2118	2118	2118	2118
S BUSHING	ALL	1	---	5709	5709	5709	5709
T LEVER	-C	1	7156	10736	10736	10736	10736
V COVER	-C	1	7157	15163	15163	15163	15163
X DETENT	-NS	1	1937-X	19350	19350	19350	19350
Y SPRING	-NS	1	2954	19467	19467	19467	19467
Z SLEEVE	-NS	1	---	20665	20665	31476	31476
AA PIN	-NS	1	---	10327	10327	10327	10327

MODEL CODE BREAKDOWN



Litho in U. S. A.



**MANUAL
FOUR-WAY
DIRECTIONAL
VALVES**

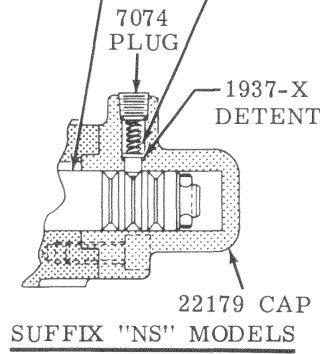
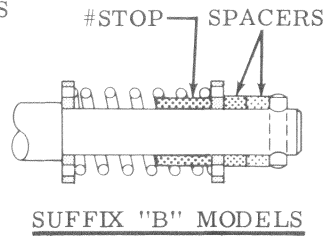
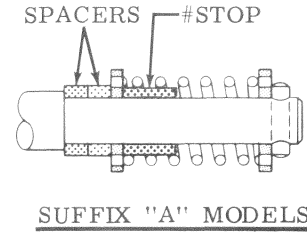
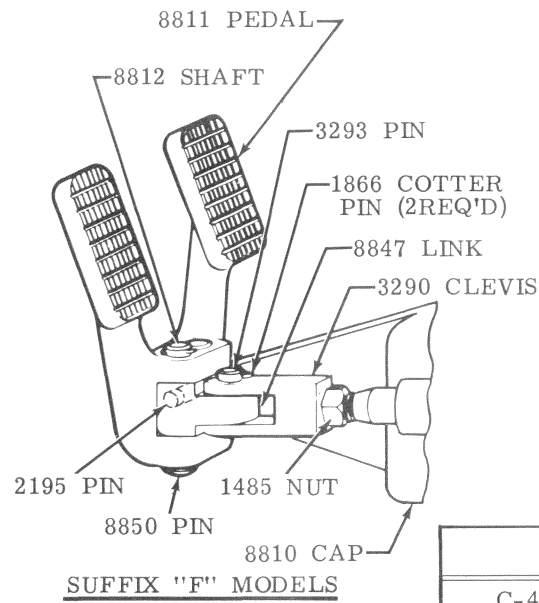
SERVICE PARTS INFORMATION

C-430/32/34/76/78-(*)-(*)-(S*)
C-1410/12/30/32/34/50/52/54-(*)-(*)-(S*)
C2-1434-1454-(*)-(*)

SPERRY VICKERS
TROY, MI. 48084

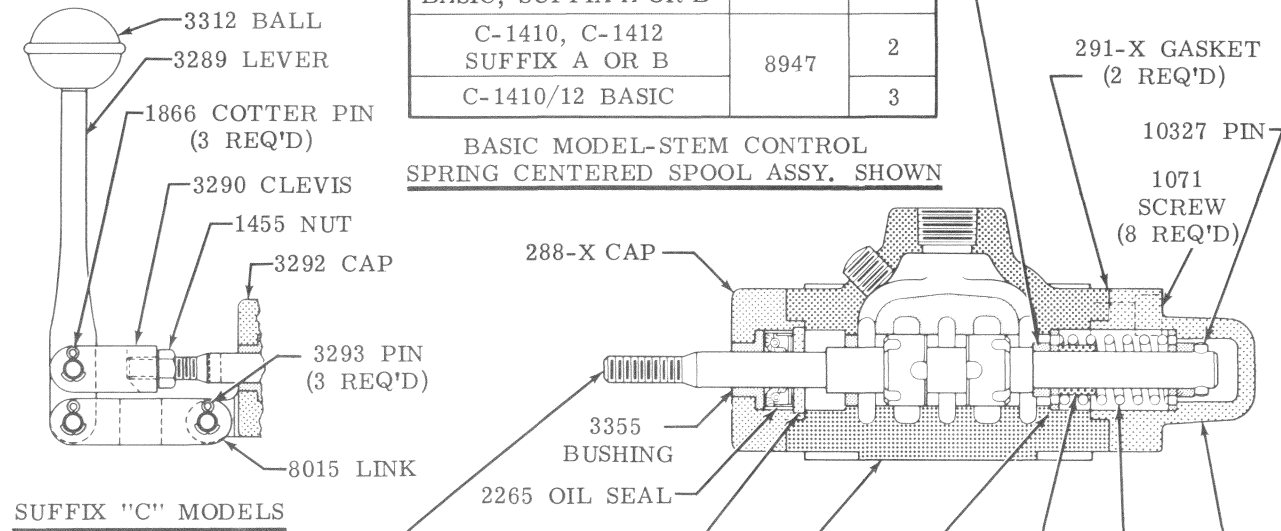
C-430, C-432, C-476, C-478,
C-1410, C-1412

MODEL	SLEEVE	SPRING
C- 430/32-(*)-NS	49204	21982
C- 476/78-(*)-NS	20079	
C-1410/12-(*)-NS	21567	2954



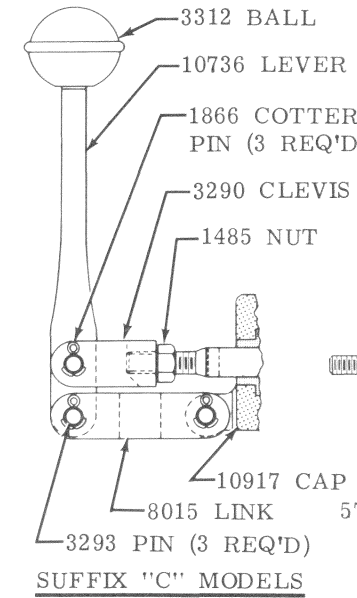
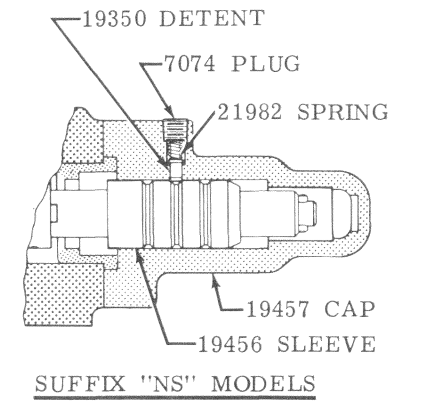
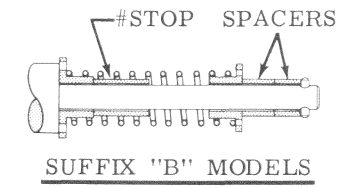
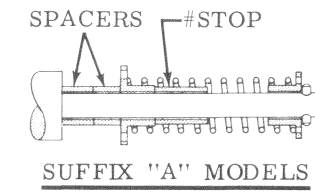
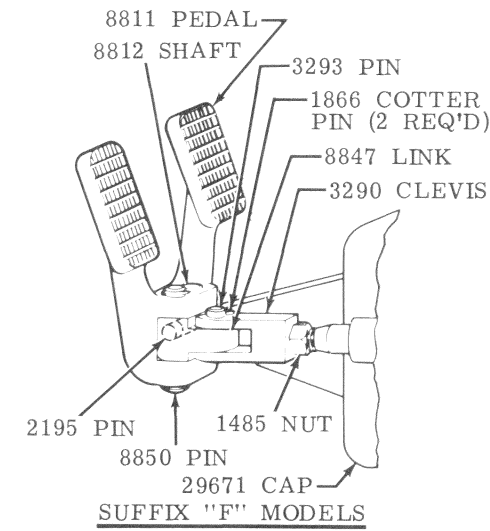
MODELS	SPACER	QTY.
C-476/78-(*)-NS		1
C-430/32/76/78 BASIC, SUFFIX A OR B	2402	2
C-1410, C-1412 SUFFIX A OR B	8947	2
C-1410/12 BASIC		3

BASIC MODEL-STEM CONTROL
SPRING CENTERED SPOOL ASSY. SHOWN

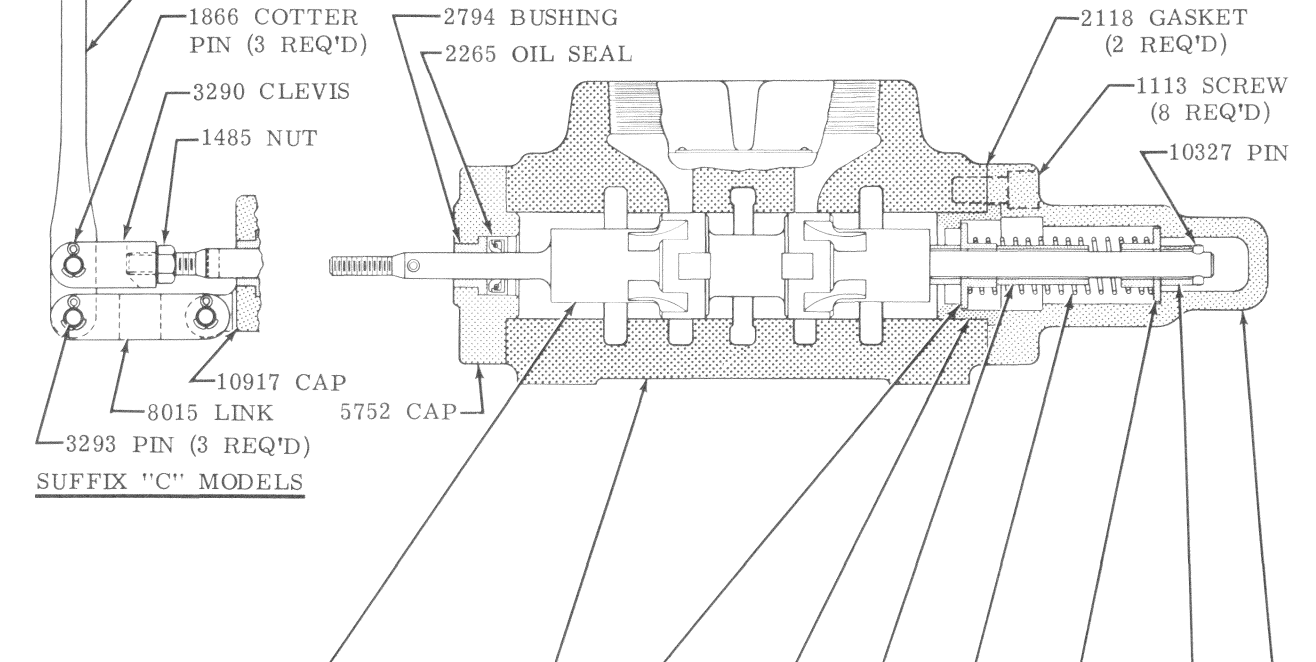


MODEL	VALVE SPOOL					WASHER	BODY	NOT USED ON "NS" MODELS				
	BASIC	S1	S2	S3	S4			WASHER	#STOP	SPRING	CAP	
C-430	11590	10217	27826	—	—	10670	332-X	335-X (2) REQ'D	2271	333-X		
C-432	929-X	—	—	15250	32031							
C-476	1897-X	—	—	10369	2171-X		2155-X		8944		177640	8945
C-478	1737-X	33281	33282	—	—							
C-1410	10714	30183	31712	—	—							
C-1412	8943	—	—	27936	33283	8946						

C-1430, C-1432,
C-1450, C-1452



BASIC MODEL-STEM CONTROL
SPRING CENTERED SPOOL ASSY. SHOWN



MODEL	VALVE SPOOL					BODY	NOT USED ON "NS" MODELS						
	BASIC	S1	S2	S3	S4		COLLAR	BUSHING	#STOP	SPRING	COLLAR	SPACER	CAP
C-1430	76638	76640	76641	—	—	5701	5708	5709	38798 SEE NOTE ↓	2980	5707	5749 (2) REQ'D	5751
C-1432	76639	—	—	76642	76643								
C-1450	76638	76640	76641	—	—								
C-1452	76639	—	—	76642	76643	17232							

NOTE: STOP 38798 REPLACED BY 35510 ON SUFFIX "F" MODELS