

PLUG INSTALLATION TABLE			
MODEL	"A" PLUG	"B" PLUG	"C" PLUG
DG5S-8-**-10	DOES NOT EXIST	237588	—
DG5S-8-**-E-10		113000	237588
DG5S-8-**-X-10		—	—
DG5S-8-**-E-10	EXIST	113000	—
DG5S-8-**-KRS-10	237588	DOES NOT EXIST	237588
DG5S-8-**-E-KRS-10	113000	DOES NOT EXIST	—
DG5S-8-**-X-KRS-10	—	DOES NOT EXIST	—
DG5S-8-**-E-KRS-10	113000	DOES NOT EXIST	—
*113000 SOLID PLUG		*237588 ORIFICE PLUG	

VALVE MODEL CODE			
MAIN STAGE SPOOL	AVAILABLE IN VALVE TYPE	SPOOL	MAIN STAGE ID PLATE W/ CIRCUIT DIAGRAM
			"A" ONLY B/C/N
DG5S-8-0	A/B/C/N	363495	400975 400976
DG5S-8-1	B/C	276623*	— 400977
DG5S-8-2	A/B/C/N	363496	400975 400978
DG5S-8-3	B/C	276625*	— 400979
DG5S-8-4	B/C	276626	— 400980
DG5S-8-6	A/B/C/N	363498	400975 400981
DG5S-8-7	B/C	345589	— 418701
DG5S-8-8	B/C	363499	— 400980
DG5S-8-9	A/B/C/N	363500	400975 400976
DG5S-8-31	B/C	276625*	— 580475
DG5S-8-33	A/B/C/N	363501	400975 400981

* NOTE
ASSEMBLE TYPE 1 & 3 SPOOLS WITH NARROW CENTER LAND TOWARDS "A" END OF VALVE. "A" END OF VALVE IS DEFINED AS BEING CLOSEST TO CYLINDER PORT "A". THE TYPE 31 SPOOL IS INSTALLED IN REVERSE OF TYPE "3", WITH NARROW CENTER LAND TOWARDS "B" END OF VALVE.

NOTE
- PARTS INCLUDED IN SERVICE KITS WILL NOT BE SOLD SEPARATELY
- ALL THREADED FASTENERS ARE METRIC
- END COVER SCREWS ARE METRIC GRADE 12.9

COVER ATTACHING SCREWS	
MODEL	SCREW (4 REQ'D)
WITHOUT PILOT CHOKE	473732
WITH PILOT CHOKE	4717413

TORQUE TO 4.5 - 5.7 N.m (39.8 - 50.4 lb. in.)
SEE OTHER PAGE FOR PILOT CHOKE PARTS BREAKDOWN

THIS SOLENOID REMOVED FOR "A" & "B" MODELS
▲ 262332 "O" RING (REF.)
■ * 407533 PLUG
⊖ 263493 "O" RING
* ⊖ "A" PLUG (SEE TABLE)
■ * 398071 PLUG
⊖ 263492 "O" RING
416834 RIVET (4 REQ'D)
ID PLATE WITH CIRCUIT DIAGRAM (SEE TABLE)

▲ 263492 "O" RING
■ * 398071 PLUG
SPOOL (SEE TABLE)
▲ 263492 "O" RING
* "C" PLUG (SEE TABLE)
▲ 262389 "O" RING (2 REQ'D X & Y PORT)
* "B" PLUG (SEE TABLE)

MODEL	SPRING	COLOR CODE
DG5S-8-**-K-**-10	398130	—
DG5S-8-**-R-**-10	398131	YELLOW
DG5S-8-**-S-**-10	398132	RED

PLUG	TORQUE (N.m.)	TORQUE (lb. in.)
343740	10.0 - 11.8	90 - 105
398071	3.4 - 4.0	30 - 35
407533	3.4 - 4.0	30 - 35

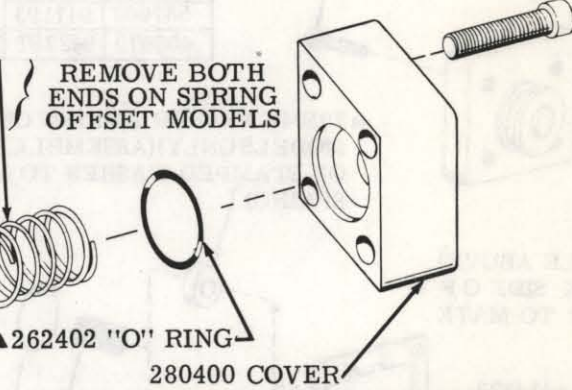
PARTS SHOWN INCLUDED IN STROKE ADJUSTMENT KIT 941154. ORDER TWO KITS IF STROKE ADJUST FOR BOTH ENDS IS REQUIRED.

VALVE MODEL CODE	MAIN STAGE SPOOL TYPE	PILOT VALVE MODEL CODE, (SEE BACK PAGE FOR EXPLODED VIEW)
DG5S-8-*A-**-10	0, 2, 6, 9, 33	DG4V-3-2A-**-10
DG5S-8-*B-**-10	0, 1, 2, 3, 6, 9, 31, 33	DG4V-3-6B-**-10
DG5S-8-*C-**-10	0, 1, 2, 3, 6, 9, 31, 33	DG4V-3-6C-**-10
DG5S-8-*N-**-10	0, 2, 6, 9, 33	DG4V-3-2N-**-11

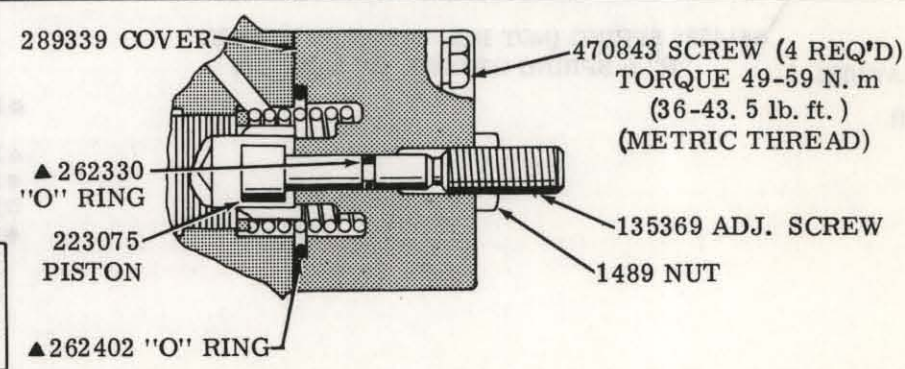
* 471119 SET SCREW PLUG - REMOVE FOR INTERNAL PILOT DRAIN, ("T" IN MODEL CODE). BOND IN PLACE WITH LOCTITE H/S OR EQUIVALENT ON EXTERNAL PILOT DRAIN MODELS.

◇ 473784 SCREW (4 REQ'D)
TORQUE TO 49-59 N.m (36 - 43.5 lb. ft.)

279497 SPRING
127728 WASHER
REMOVE BOTH ENDS ON SPRING OFFSET MODELS

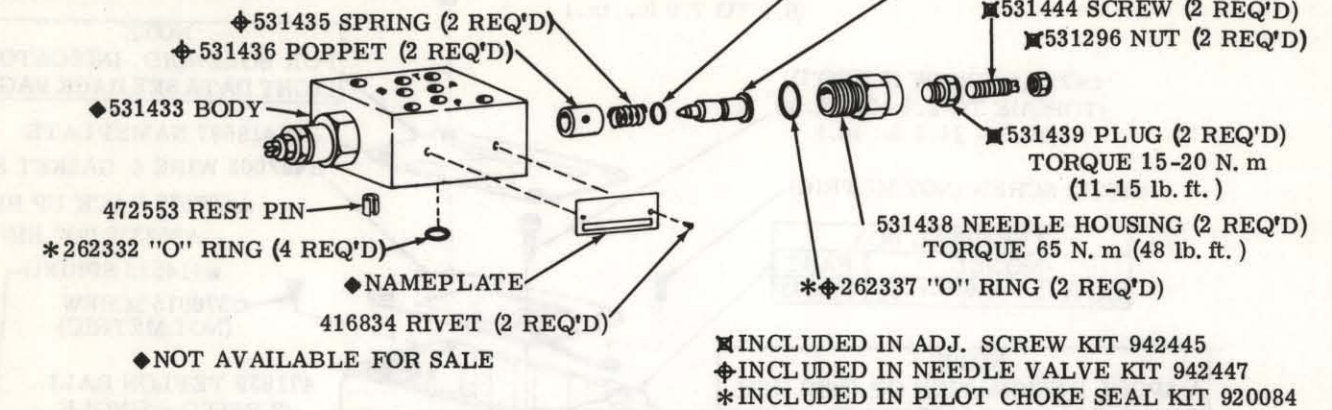


SOLENOID INDICATOR LIGHT SERVICE KIT INCLUDES PARTS SHOWN		
KIT	LIGHT	VOLTAGE
942385	751255	110/127 V-AC
942386	751256	192/233 V-AC
942490	751881	110/120 V-AC



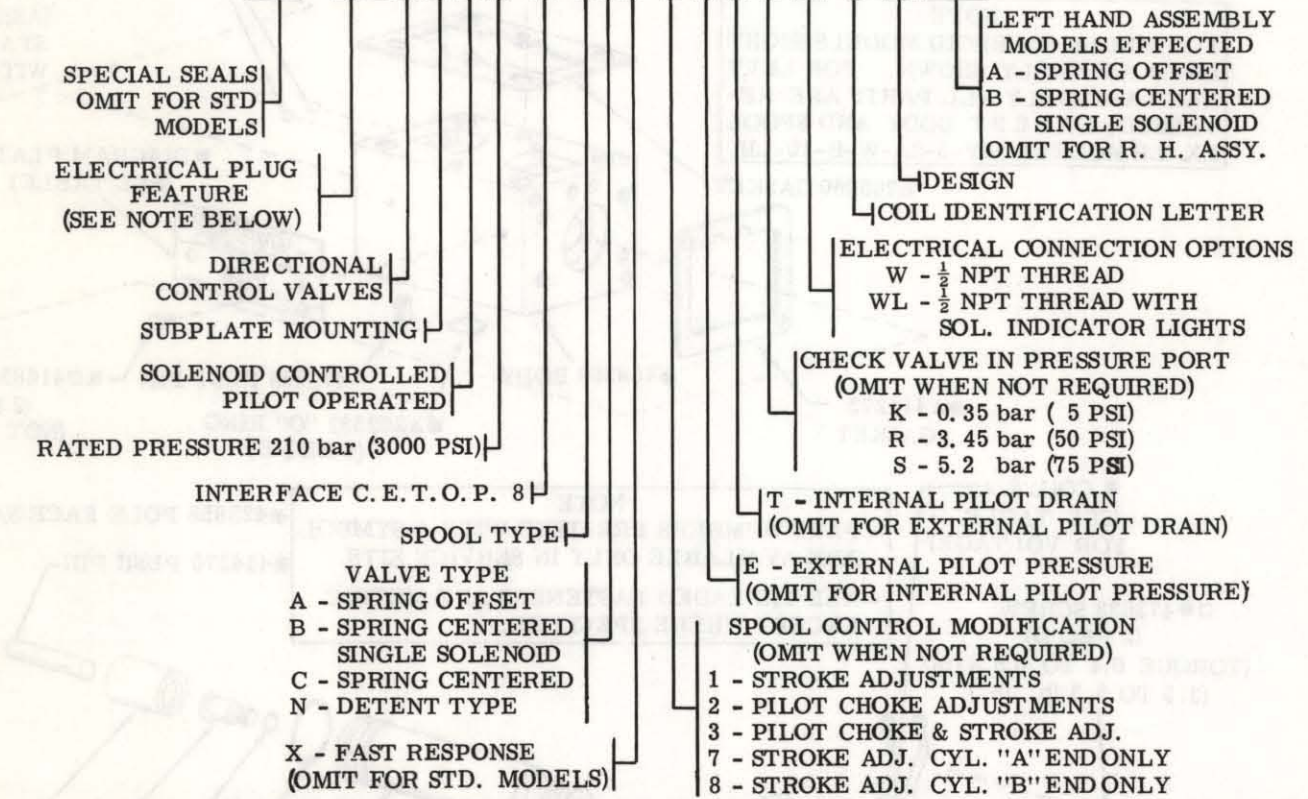
PILOT CHOKE

MODEL NO. DGMFN-3-Y-A2W-B2W-20



MODEL CODE BREAKDOWN

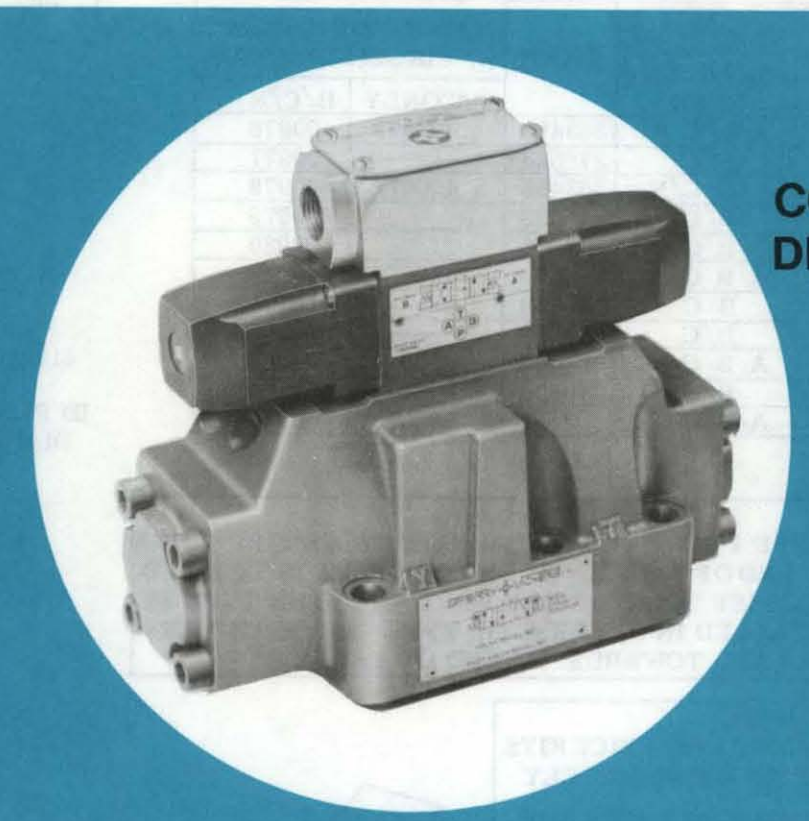
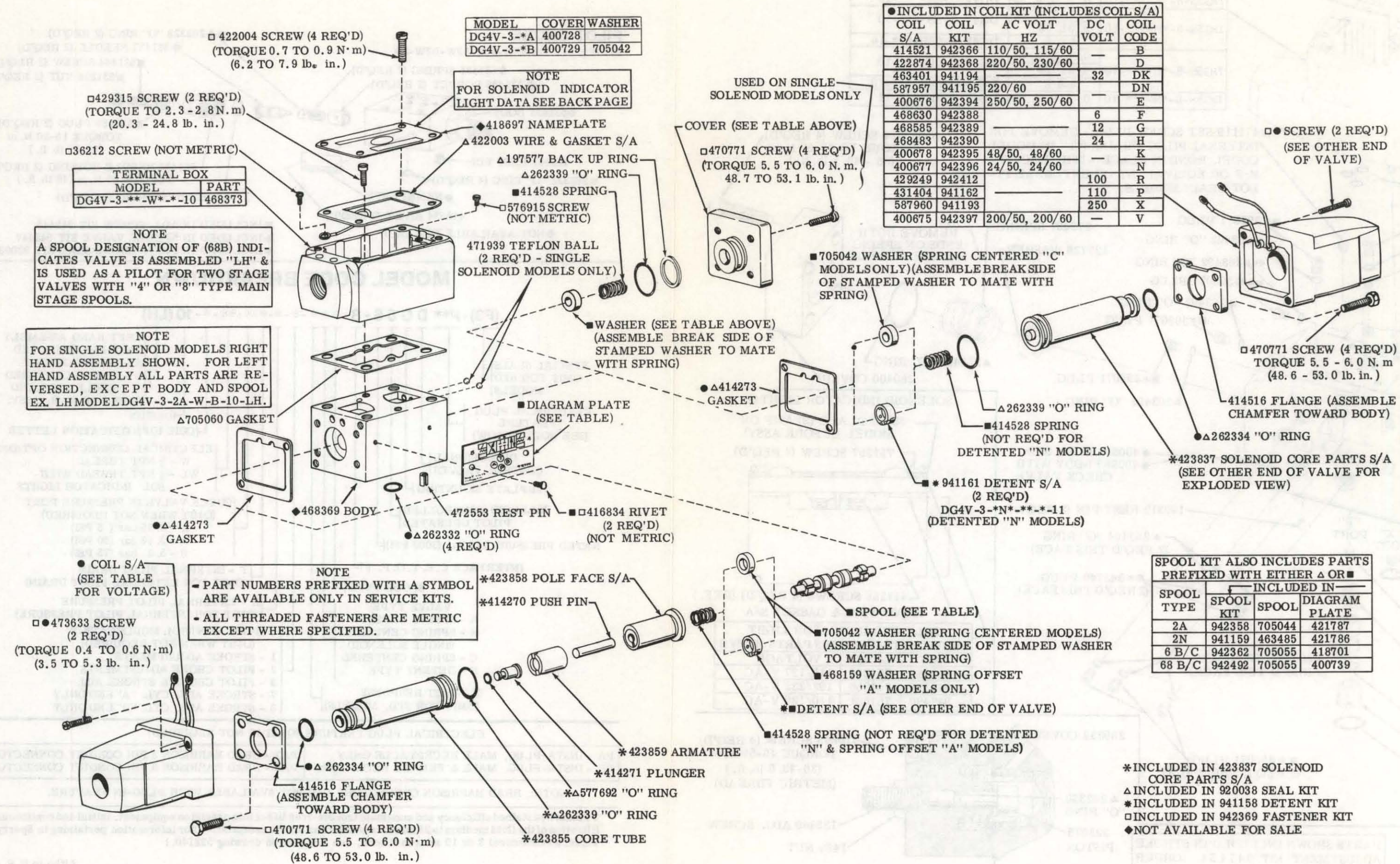
(F3)-P** DG5S-8-**-**-**-**-10(LH)



ELECTRICAL PLUG FEATURE (OMIT IF NOT REQUIRED)	
PA - INSTA-PLUG, MALE RECEPTACLE ONLY	PA3 - BRAD HARRISON 3 PIN CONDUIT CONNECTOR
PB - INSTA-PLUG, MALE & FEMALE RECEPTORS	PA5 - BRAD HARRISON 5 PIN CONDUIT CONNECTOR

NOTE: BRAD HARRISON CONNECTORS ARE NOT AVAILABLE WITH PLUG-IN FEATURE.

To insure sustained efficiency and maximum trouble-free life of this precision equipment, initial and continuous filtration of the fluid medium to 25 microns absolute or less is essential. (For information pertaining to Sperry Vickers economical 3 or 10 micron filters, see installation drawing 522140.)



PILOT OPERATED SOLENOID CONTROLLED DIRECTIONAL VALVE

SERVICE PARTS INFORMATION

- DG5S-8-*A-***-10 SPRING OFFSET
- DG5S-8-*B-***-10 SINGLE SOLENOID
- DG5S-8-*C-***-10 SPRING CENTERED
- DG5S-8-*N-***-10 DETENT

SPOOL KIT ALSO INCLUDES PARTS PREFIXED WITH EITHER Δ OR ■

SPOOL TYPE	INCLUDED IN	
	SPOOL KIT	DIAGRAM PLATE
2A	942358	705044 421787
2N	941159	463485 421786
6 B/C	942362	705055 418701
68 B/C	942492	705055 400739