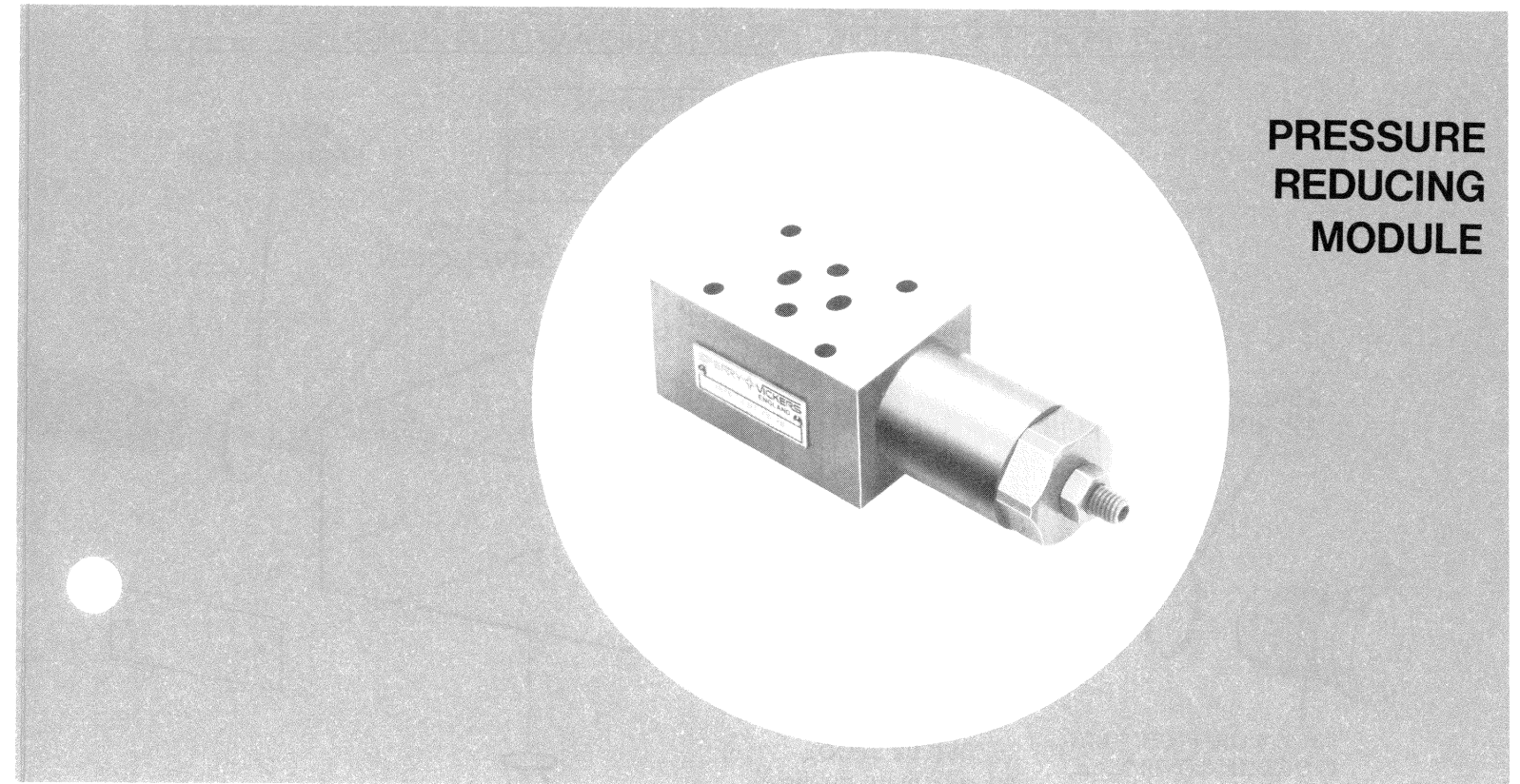
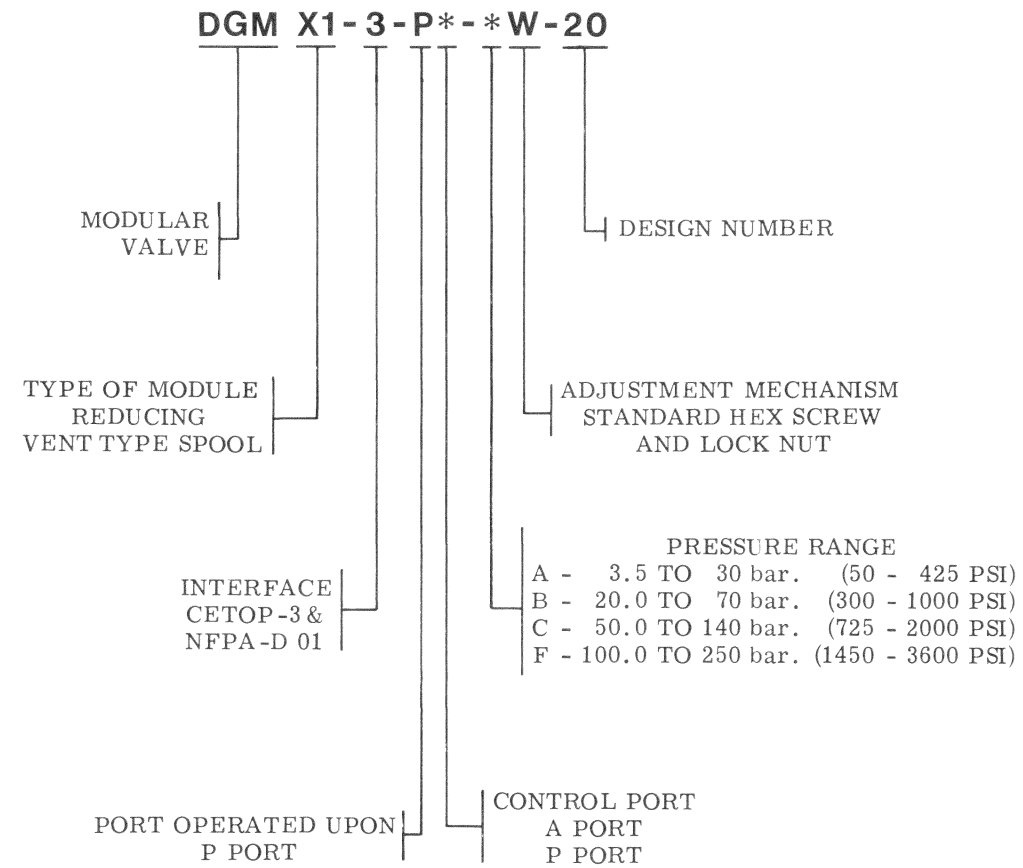


MODEL CODE BREAKDOWN



SERVICE PARTS INFORMATION

DGMX1-3-P*-W-20

To insure sustained efficiency and maximum trouble-free life of this precision equipment, initial and continuous filtration of the fluid medium to 35 microns absolute or less is essential. (For information pertaining to Sperry Vickers economical 3 or 10 micron filters, see installation drawing 522140.)

Litho in U. S. A.

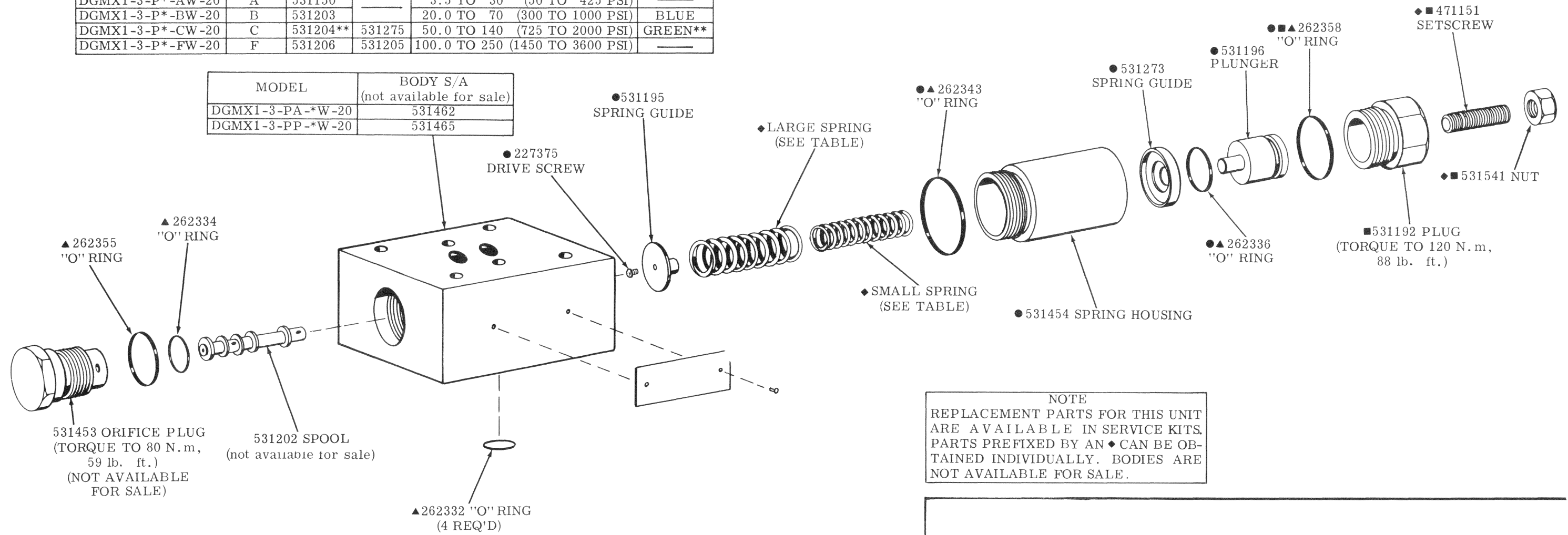
Revised 9-1-78

SPERRY VICKERS
TROY, MI. 48084

I-3391-S

MODEL	SPRING TYPE	LARGE SPRING	SMALL SPRING	PRESSURE RANGE IN BARS	COLOR CODE
DGMX1-3-P*-AW-20	A	531150	—	3.5 TO 30 (50 TO 425 PSI)	—
DGMX1-3-P*-BW-20	B	531203	—	20.0 TO 70 (300 TO 1000 PSI)	BLUE
DGMX1-3-P*-CW-20	C	531204**	531275	50.0 TO 140 (725 TO 2000 PSI)	GREEN**
DGMX1-3-P*-FW-20	F	531206	531205	100.0 TO 250 (1450 TO 3600 PSI)	—

MODEL	BODY S/A (not available for sale)
DGMX1-3-PA-*W-20	531462
DGMX1-3-PP-*W-20	531465



NOTE
 REPLACEMENT PARTS FOR THIS UNIT ARE AVAILABLE IN SERVICE KITS. PARTS PREFIXED BY AN ♦ CAN BE OBTAINED INDIVIDUALLY. BODIES ARE NOT AVAILABLE FOR SALE.

● INCLUDED IN PLUNGER AND GUIDE KIT 942449

▲ INCLUDED IN SEAL KIT 920085

■ INCLUDED IN ADJUSTMENT SCREW KIT 942448

