

NOTE
ROTATE VALVE AND COVER S/A 90° CLOCKWISE FOR
CG5-0***C-**-**-70 MODELS. DIAGRAM PLATE WILL
FACE DIRECTION OF MOUNTING SURFACE ON CG 5
MODELS)

10932 SCREW (4 REQ'D)
TORQUE TO 50 lb. in.
MAXIMUM

68905 WASHER
(4 REQ'D)

DIAGRAM PLATE

EXPLODED VIEW OF PILOT
VALVES SHOWN ON BACK
PAGE

NOTE
PILOT VALVE AND COVER S/A SHOWN
FOR C*5-0**A-**-**-70 MODELS
(LEFT HAND ASSEMBLY)

MODEL	COVER	PLUG/"O"RING (2 REQ'D)	PLUG/"O"RING
C*5-0*0A-70	422828	—	—
C*5-0*1A-70	—	—	—
C*5-0*2A-70	424203	343740 & 154126	398071 & 154124
C*5-0**C-70	—	—	—

MODEL	NAMEPLATE (WITH CIRCUIT DIAGRAM)	PILOT STAGE
C*5-0*0A-**-**-70	422864	DG4V-3-0B-**-**-10-LH
C*5-0*1A-**-**-70	422865	DG4V-3-2A-**-**-10-LH
C*5-0*2A-**-**-70	423814	DG4V-3-2B-**-**-10-LH
C*5-0*0C-**-**-70	422862	DG4V-3-0C-**-**-10
C*5-0*2C-**-**-70	422863	DG4V-3-2C-**-**-10

MODEL	INCLUDED IN COVER S/A
C*5-0*0A-B(V)-70	942432
C*5-0*0A-C(V)-70	942433
C*5-0*0A-F(V)-70	942434
C*5-0*1A-B(V)-70	—
C*5-0*2A-B(V)-70	942435
C*5-0**C-B(V)-70	—
C*5-0*1A-C(V)-70	—
C*5-0*2A-C(V)-70	942436
C*5-0**C-C(V)-70	—
C*5-0*1A-F(V)-70	—
C*5-0*2A-F(V)-70	942437
C*5-0**C-F(V)-70	—

1031 SCREW (4 REQ'D)
TORQUE TO 112 lb. in.
MAXIMUM.

329463 PLUG

154129 "O" RING

ASSEMBLE SEAT WITH CROSS
HOLE FACING UP AS SHOWN
285601 SEAT

343154 PISTON

343153 SEAT

MODEL	SPRING	SPRING	SPRING	WASHER (AS REQ'D)
C*5-0***-B-70	—	2077	2280	—
C*5-0***-BV-70	184458	—	—	—
C*5-0***-C-70	—	2077	2282	233110
C*5-0***-CV-70	184458	—	—	—
C*5-0***-F-70	—	2077	2281	—
C*5-0***-FV-70	184458	—	—	—

262332 "O" RING
(4 REQ'D) (REF.)

422849 SPACER

154006 "O" RING

283948 PLUNGER

326317 SHIM
(AS REQ'D TO OBTAIN
PROPER ADJUSTMENT
RANGE)

283949 RETAINER

1485 LOCKNUT

292230 ADJUSTMENT
SCREW

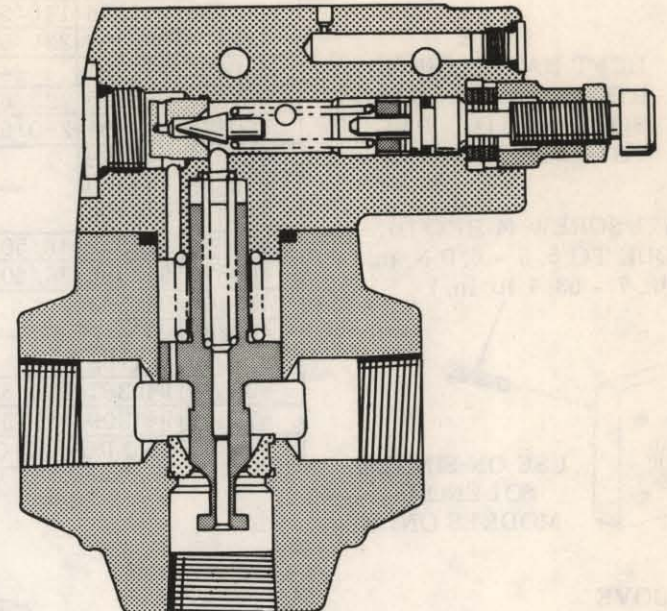
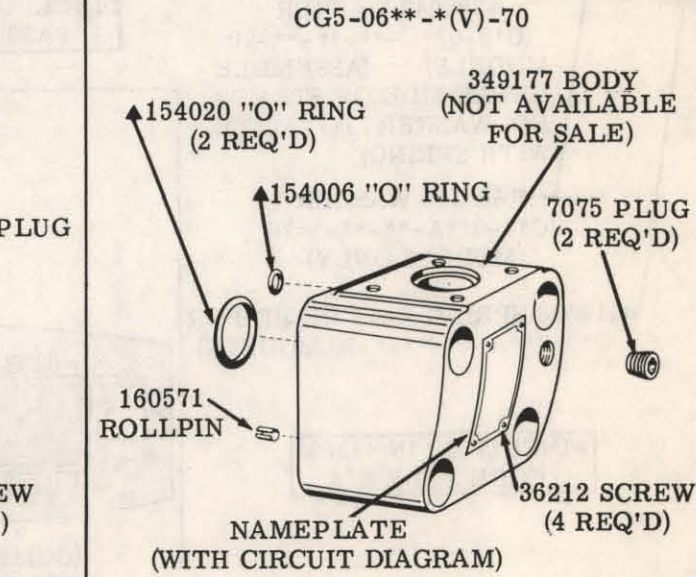
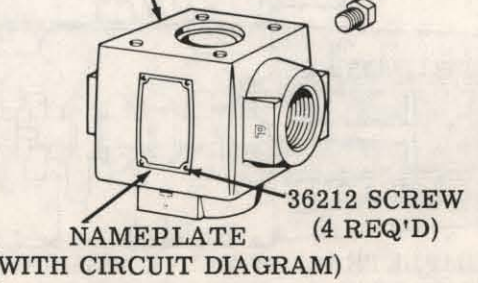
64520 WASHER
(AS REQ'D)

290057 PISTON

199813 "O" RING

NOT AVAILABLE FOR SALE

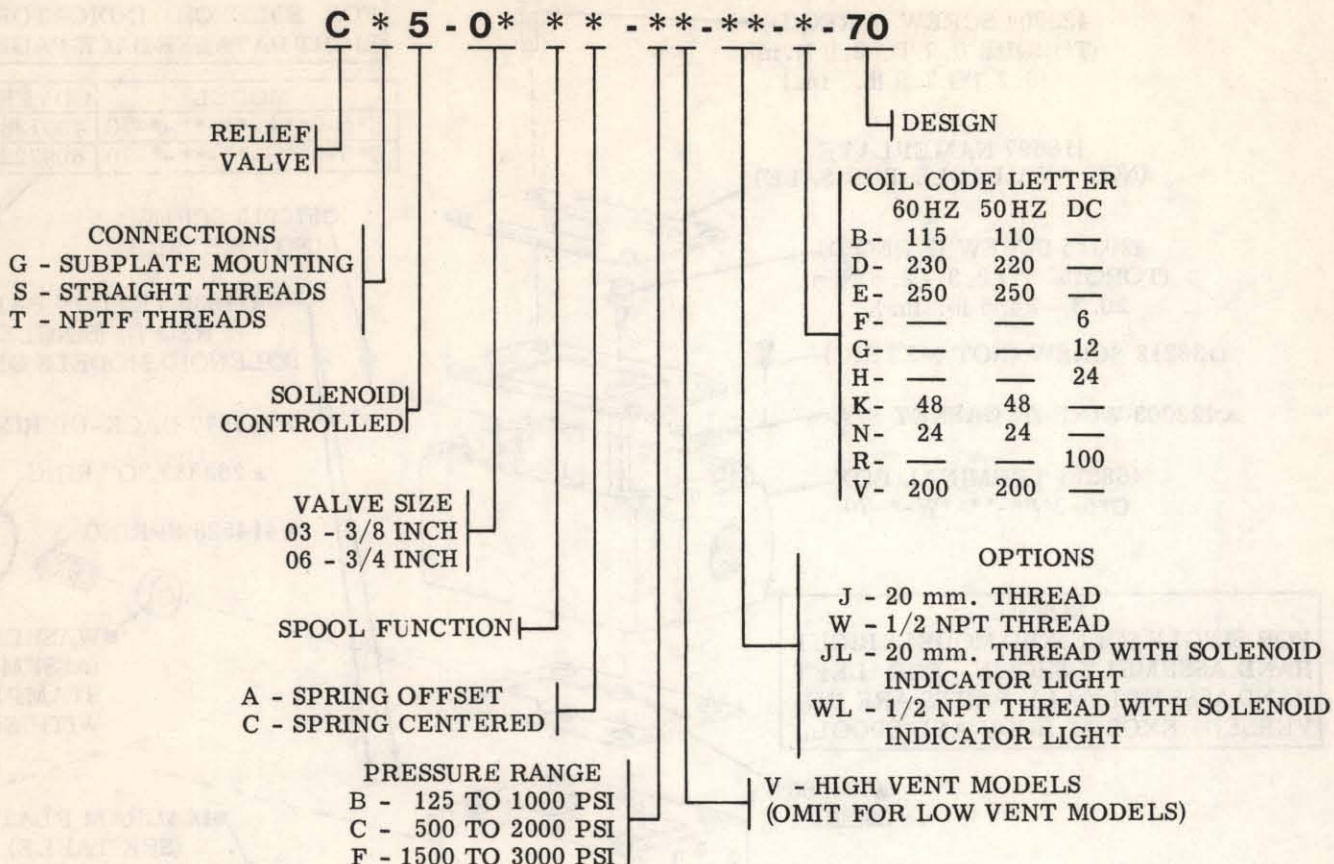
BODY	MODEL
349184	CS5-03**-(V)-70
349187	CS5-06**-(V)-70
349180	CT5-06**-(V)-70



SHOWN WITHOUT PILOT VALVE SECTION

COAT THESE PARTS WITH
OIL PRIOR TO ASSEMBLY

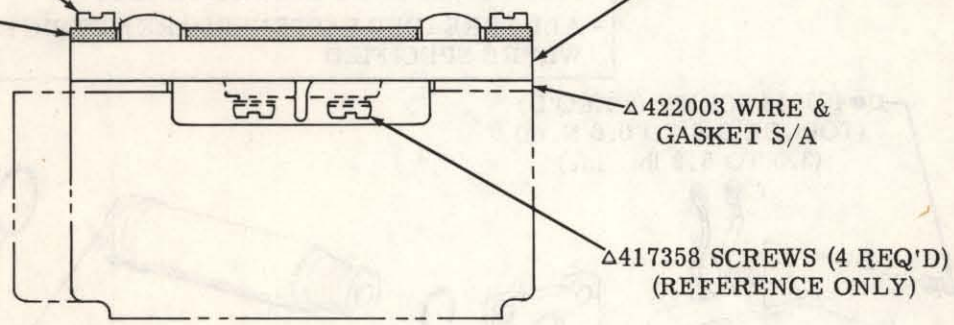
MODEL CODE BREAKDOWN



SOLENOID INDICATOR LIGHTS		
INCLUDED IN SERVICE KIT	LIGHT S/A	VOLTAGE RANGE
942385	751255	100/127V-AC
942386	751256	192/233V-AC

751257 SCREW
(4 REQ'D)

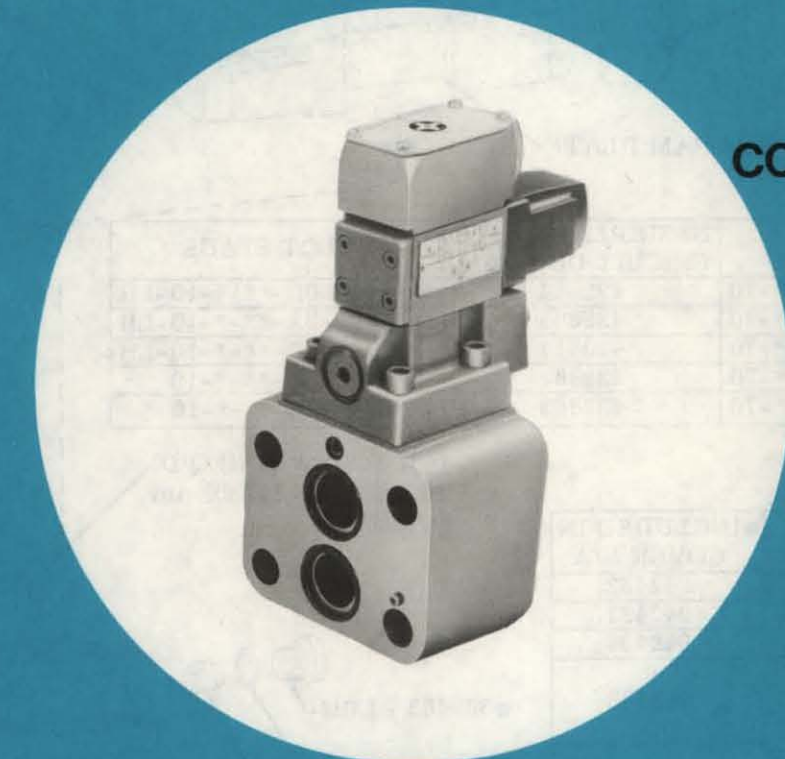
NAMEPLATE
(STAMP MODEL CODE
ON NAMEPLATE BE-
FORE ASSEMBLY.)



SOLENOID INDICATOR LIGHT(S)

To insure sustained efficiency and maximum trouble-free life of this precision equipment, initial and continuous filtration of the fluid medium to 25 microns absolute or less is essential. (For information pertaining to Sperry Vickers economical 3 or 10 micron filters, see installation drawing 522140.)

SOLENOID CONTROLLED RELIEF VALVE



SERVICE PARTS INFORMATION

CG5-06-***-(V)-***-70
 CS5-03/06-***-(V)-***-70
 CT5-06-***-(V)-***-70

SPERRY VICKERS
 TROY, MI. 48064

● INCLUDED IN COIL KIT (INCLUDES COIL S/A)

COIL S/A	COIL KIT	AC VOLT HZ	DC VOLT	COIL CODE
414521	942366	110/50, 115/60	—	B
422874	942368	220/50, 230/60	—	D
436401	941194	—	32	DK
587957	941195	220/60	—	DN
400676	942394	250/50, 250/60	—	E
468630	942388	—	6	F
468585	942389	—	12	G
468483	942390	—	24	H
400678	942395	48/50, 48/60	—	K
400677	942396	24/50, 24/60	—	N
431404	941162	—	110	P
429249	942412	—	100	R
587960	941193	—	250	X
400675	942397	200/50, 200/60	—	V
573645	941209	**115/60	—	9B

** REDUCED POWER CONSUMPTION SOLENOID

