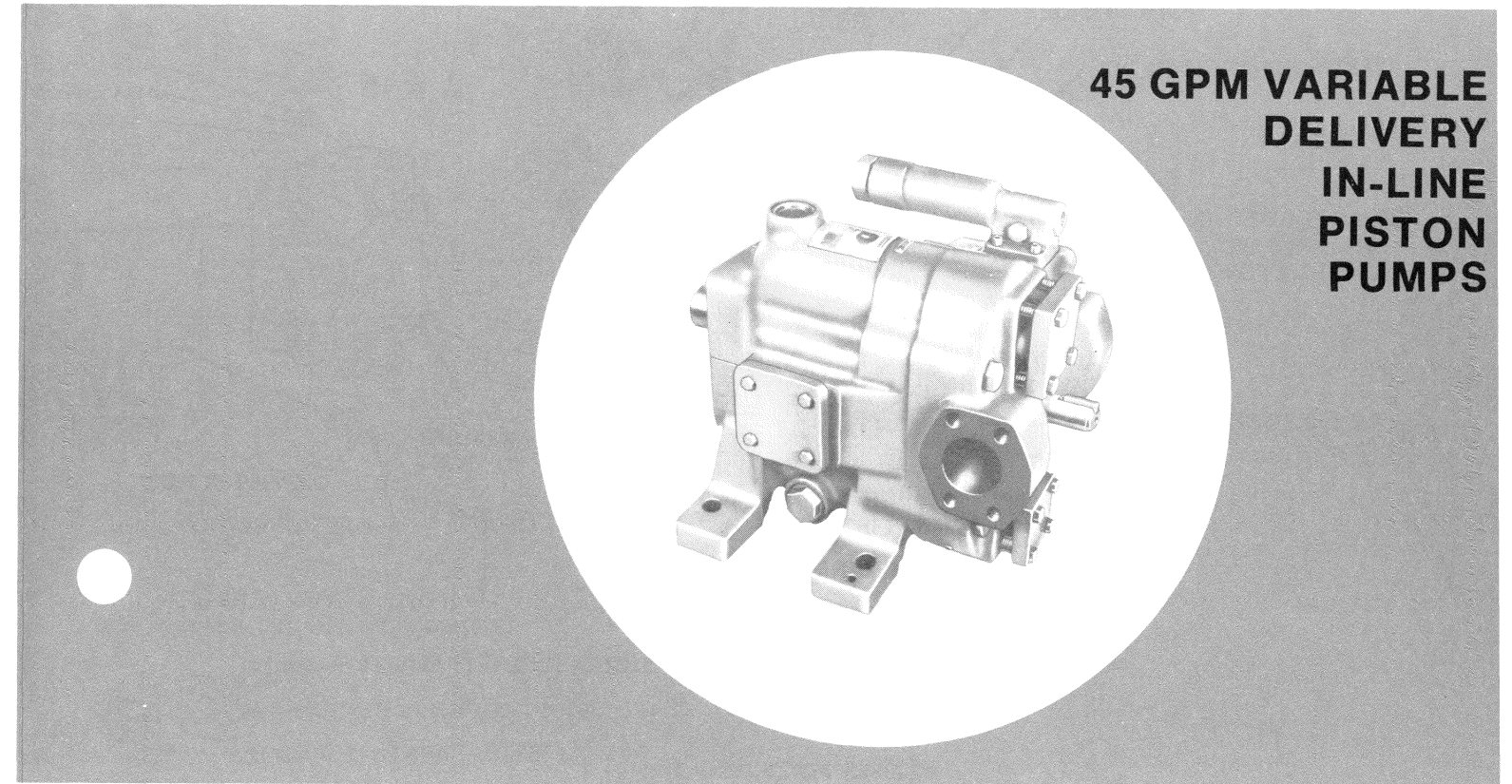
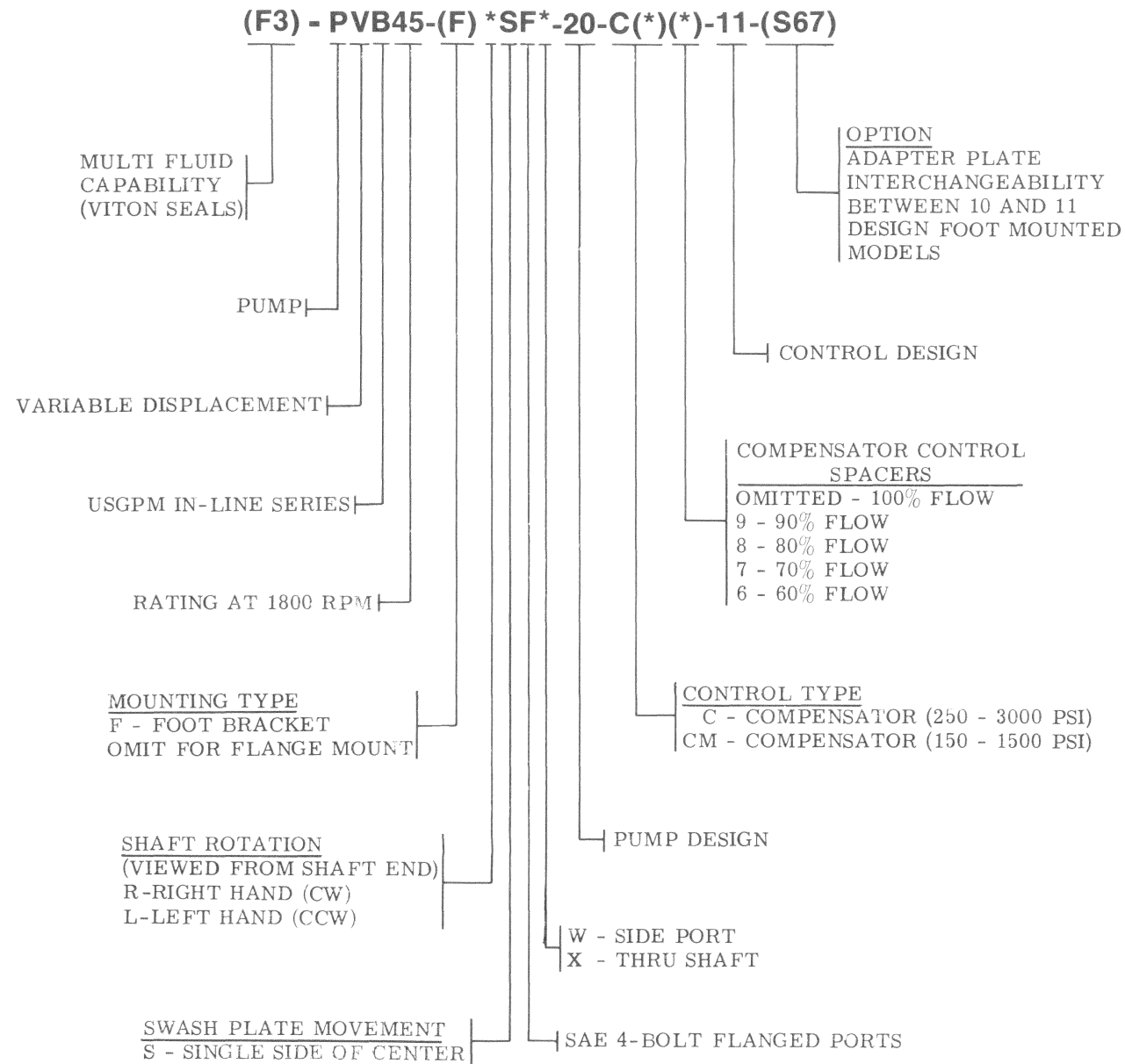


MODEL CODE BREAKDOWN



SERVICE PARTS INFORMATION

PVB45-(F)*SFW-20-C(*)(*)-11(S67)
PVB45-(F)*SFX-20-C(*)(*)-11-(S67)

To insure sustained efficiency and maximum trouble-free life of this precision equipment, initial and continuous filtration of the fluid medium to 25 microns absolute or less is essential. (For information pertaining to Sperry Vickers economical 3 or 10 micron filters, see installation drawing 522140.)

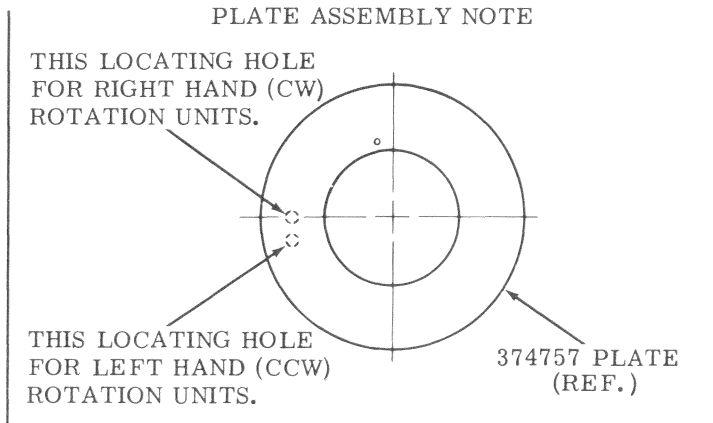
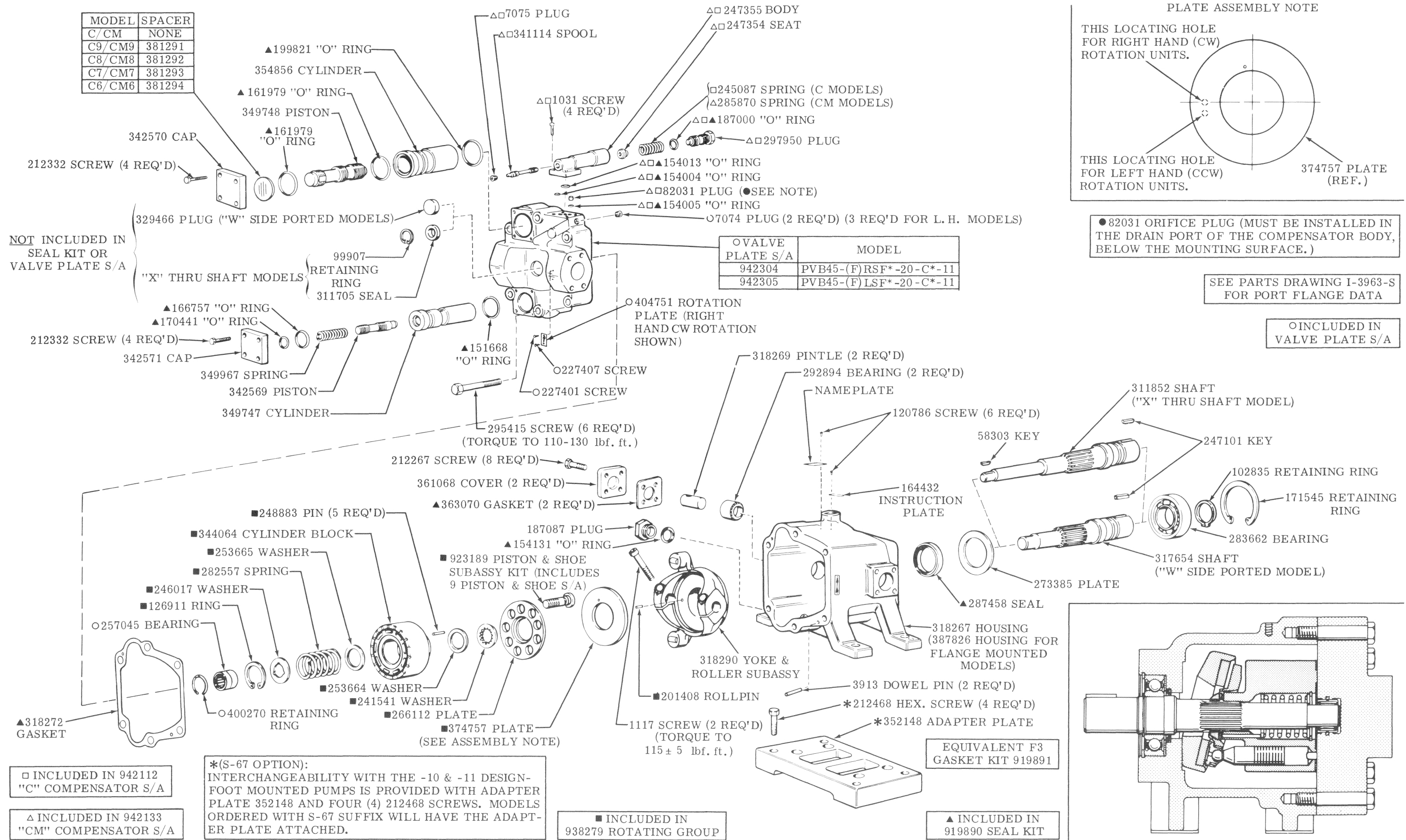
Litho in U. S. A.

SPERRY VICKERS
TROY, MI. 48064

Revised 12-1-77

I-3297-S

MODEL	SPACER
C/CM	NONE
C9/CM9	381291
C8/CM8	381292
C7/CM7	381293
C6/CM6	381294



● 82031 ORIFICE PLUG (MUST BE INSTALLED IN THE DRAIN PORT OF THE COMPENSATOR BODY, BELOW THE MOUNTING SURFACE.)

SEE PARTS DRAWING I-3963-S FOR PORT FLANGE DATA

○ INCLUDED IN VALVE PLATE S/A

○ VALVE PLATE S/A	MODEL
942304	PVB45-(F)RSF*-20-C*-11
942305	PVB45-(F)LSF*-20-C*-11

□ INCLUDED IN 942112 "C" COMPENSATOR S/A

△ INCLUDED IN 942133 "CM" COMPENSATOR S/A

*(S-67 OPTION): INTERCHANGEABILITY WITH THE -10 & -11 DESIGN-FOOT MOUNTED PUMPS IS PROVIDED WITH ADAPTER PLATE 352148 AND FOUR (4) 212468 SCREWS. MODELS ORDERED WITH S-67 SUFFIX WILL HAVE THE ADAPTER PLATE ATTACHED.

■ INCLUDED IN 938279 ROTATING GROUP

EQUIVALENT F3 GASKET KIT 919891

▲ INCLUDED IN 919890 SEAL KIT

