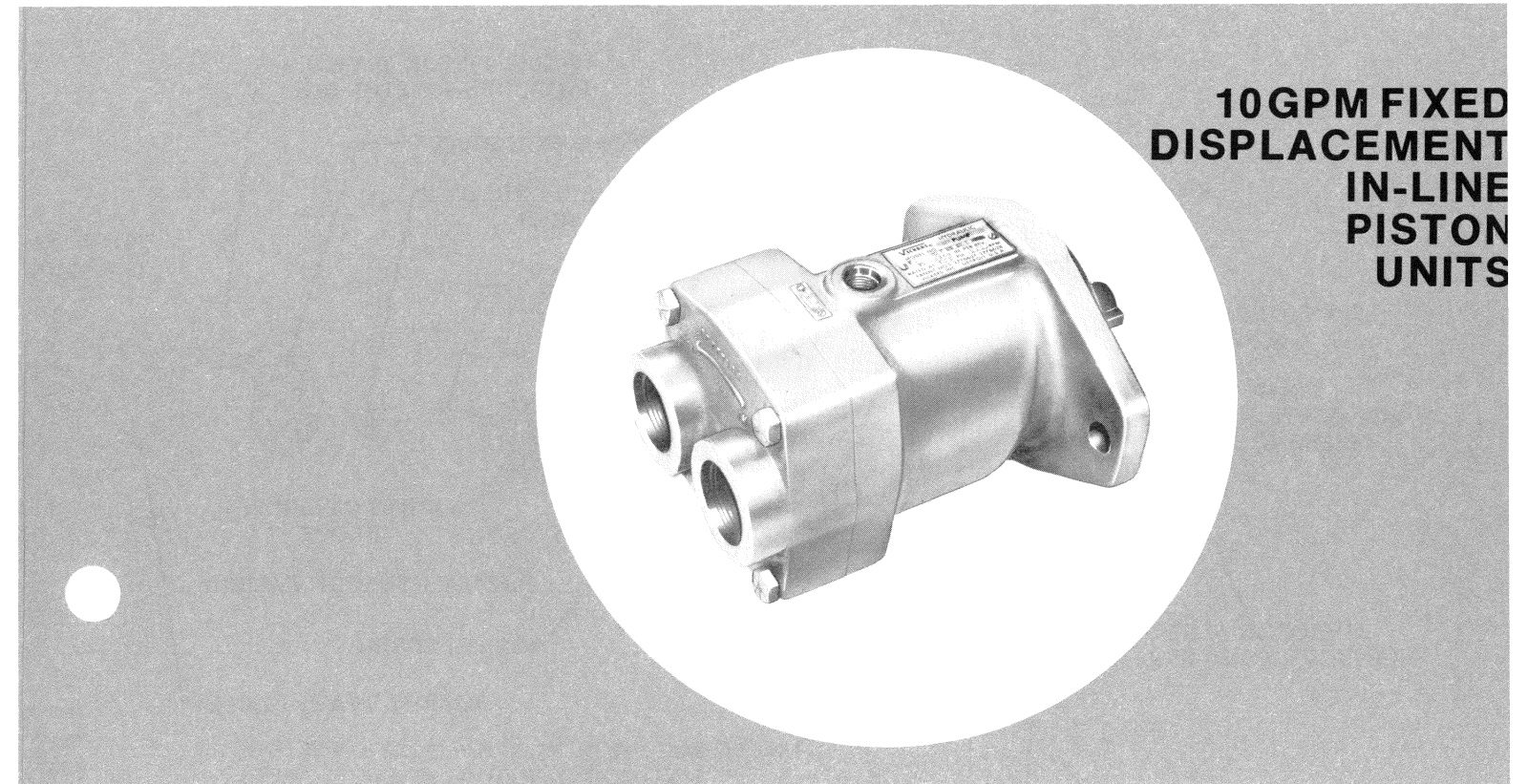
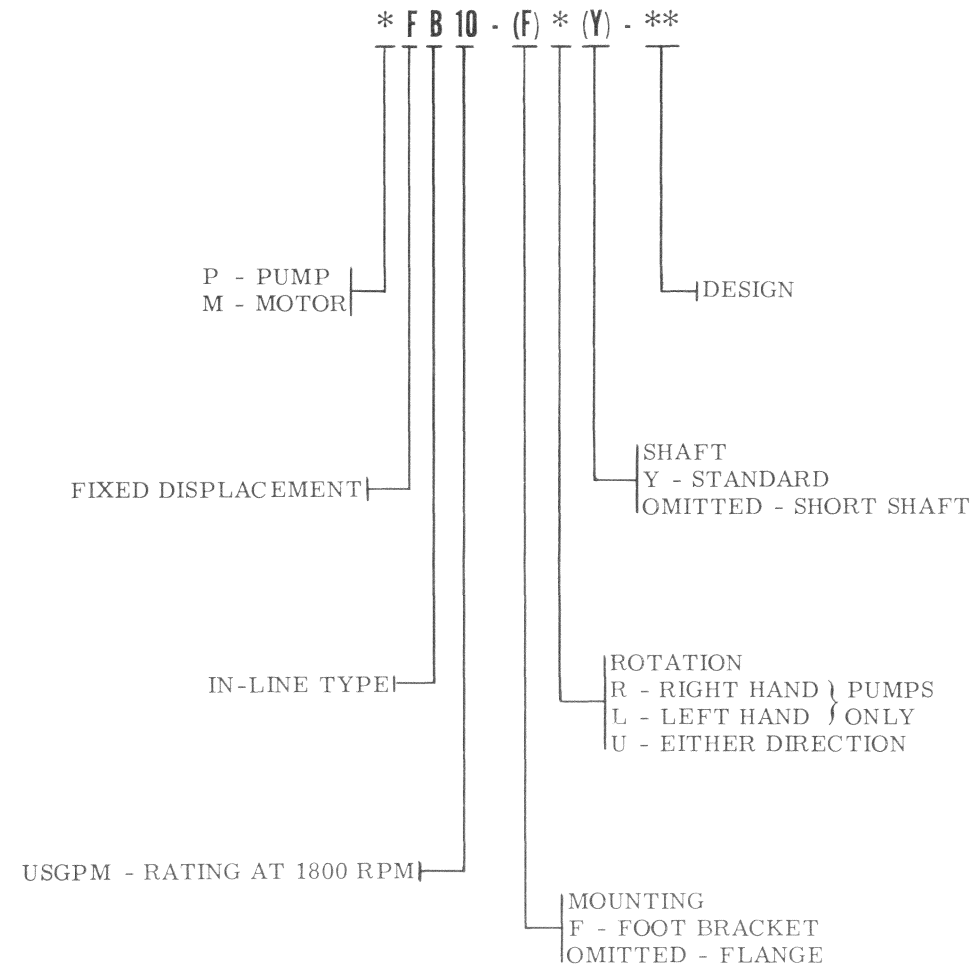


MODEL CODE BREAKDOWN



SERVICE PARTS INFORMATION

- MFB10-(F)U(Y)-20
- MFB10-(F)U(Y)-30/31
- PFB10-(F)\*(Y)-20
- PFB10-(F)\*(Y)-30/31

To insure sustained efficiency and maximum trouble-free life of this precision equipment, initial and continuous filtration of the fluid medium to 25 microns absolute or less is essential. (For information pertaining to Sperry Vickers economical 3 or 10 micron filters, see installation drawing 522140.)

Litho in U.S.A.

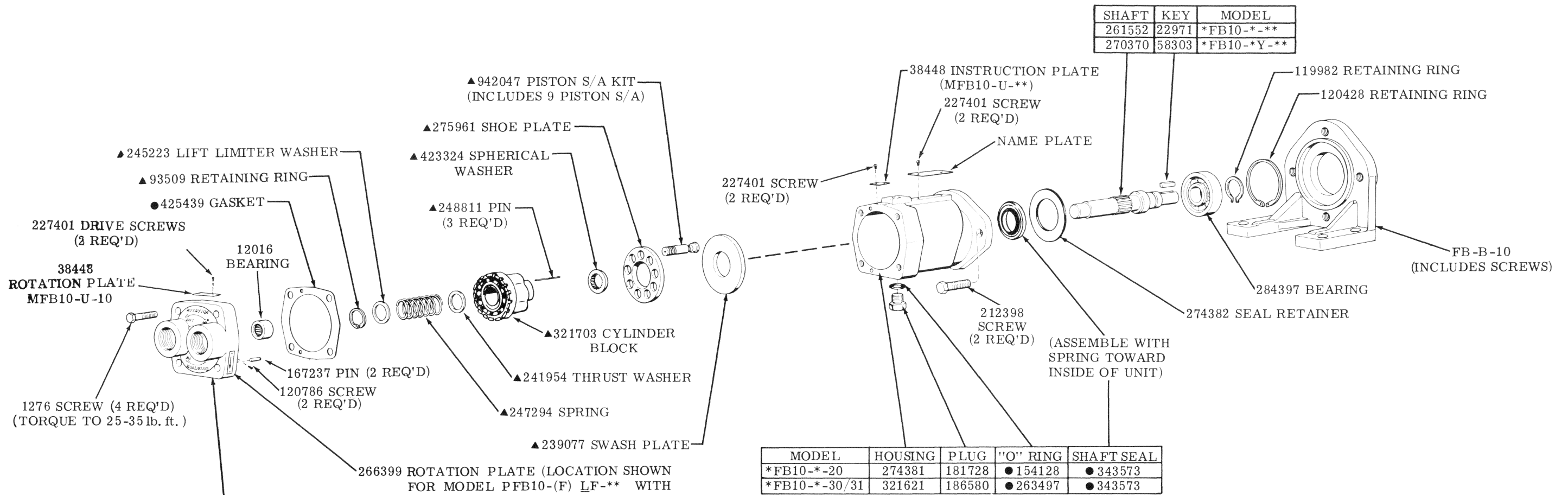
SPERRY VICKERS  
TROY, MI. 48084

Revised 5-1-81

I-3244-S

**WARNING: USE THIS DRAWING FOR PARTS INFORMATION ONLY.**

**SEE OVERHAUL MANUAL I-3230-S FOR MAINTENANCE INFORMATION**



MODEL	VALVE PLATE S/A (INCLUDES 12012 BEARING)
PFB10-R-20	938389
PFB10-R-30/31	942048
PFB10-L-20	938390
PFB10-L-30/31	942049
MFB10-U-20	938391
MFB10-U-30/31	942050

▲ INCLUDED IN ROTATING GROUP KIT 938272

● INCLUDED IN SEAL KIT:  
-20 DESIGN - 919240  
-3\* DESIGN - 919521

F3 EQUIVALENT 919312 SEAL KIT

