

Model Code

(P) * F B 5 - (F) (U) (Y) - **
1 2 3 4 5 6 7 8

1 Pump or motor

P - Pump
M - Motor

2 Fixed displacement

3 In-line type

4 USgpm flow rating @1800 rpm

5 - 5 USgpm

5 Mounting

F - Foot bracket
Omitted - Flange

6 Rotation

(Viewed from shaft end)

U - Either direction
R - Right hand (CW)
L - Left hand (CCW)

7 Shaft

Y - Heavy duty
Omitted - Light duty

8 Pump design

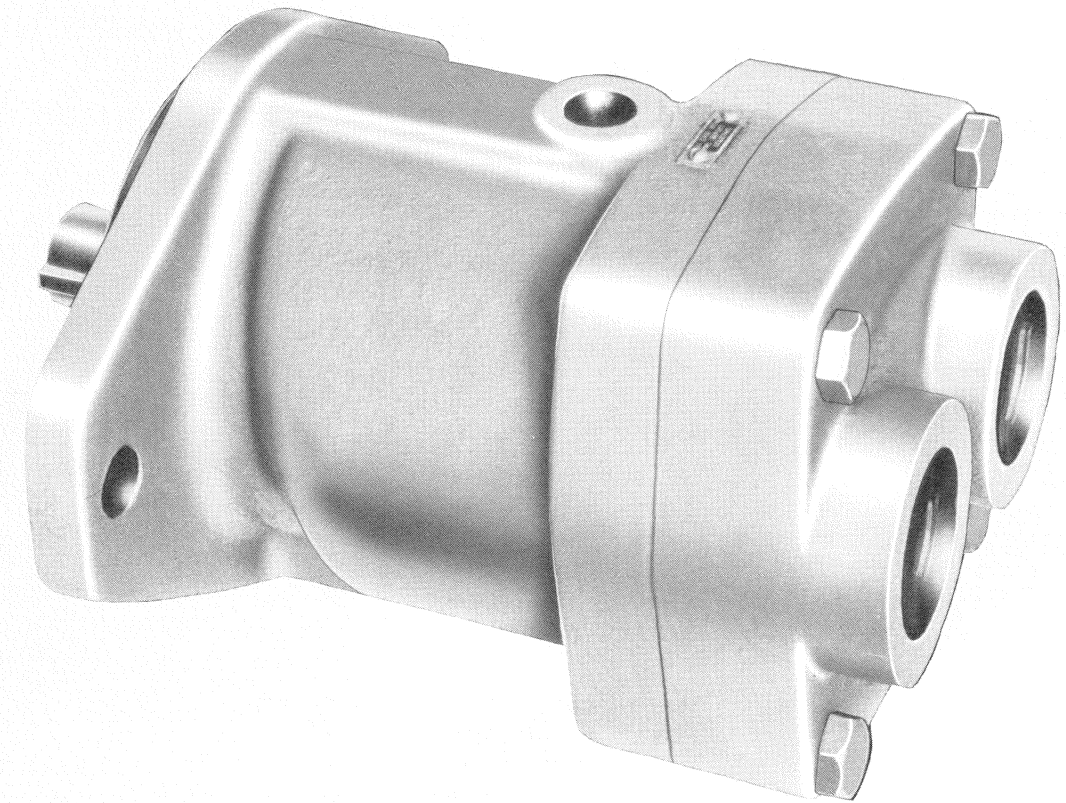
PFB - 22
MFB - 21

Service Data

VICKERS

Fixed inline piston units 5 USgpm

PFB5-(F)*Y-22
MFB5-(F)*Y-21

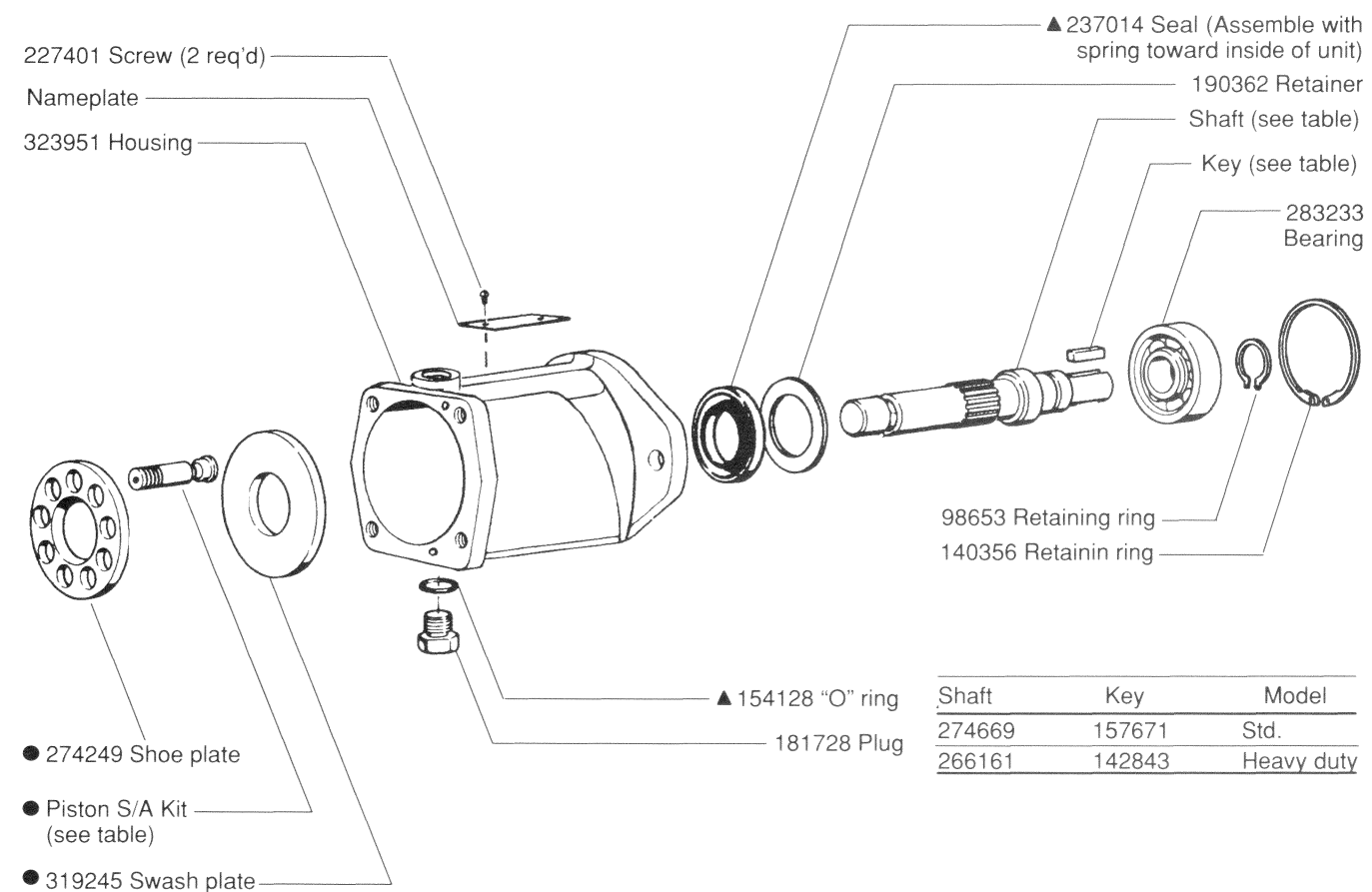
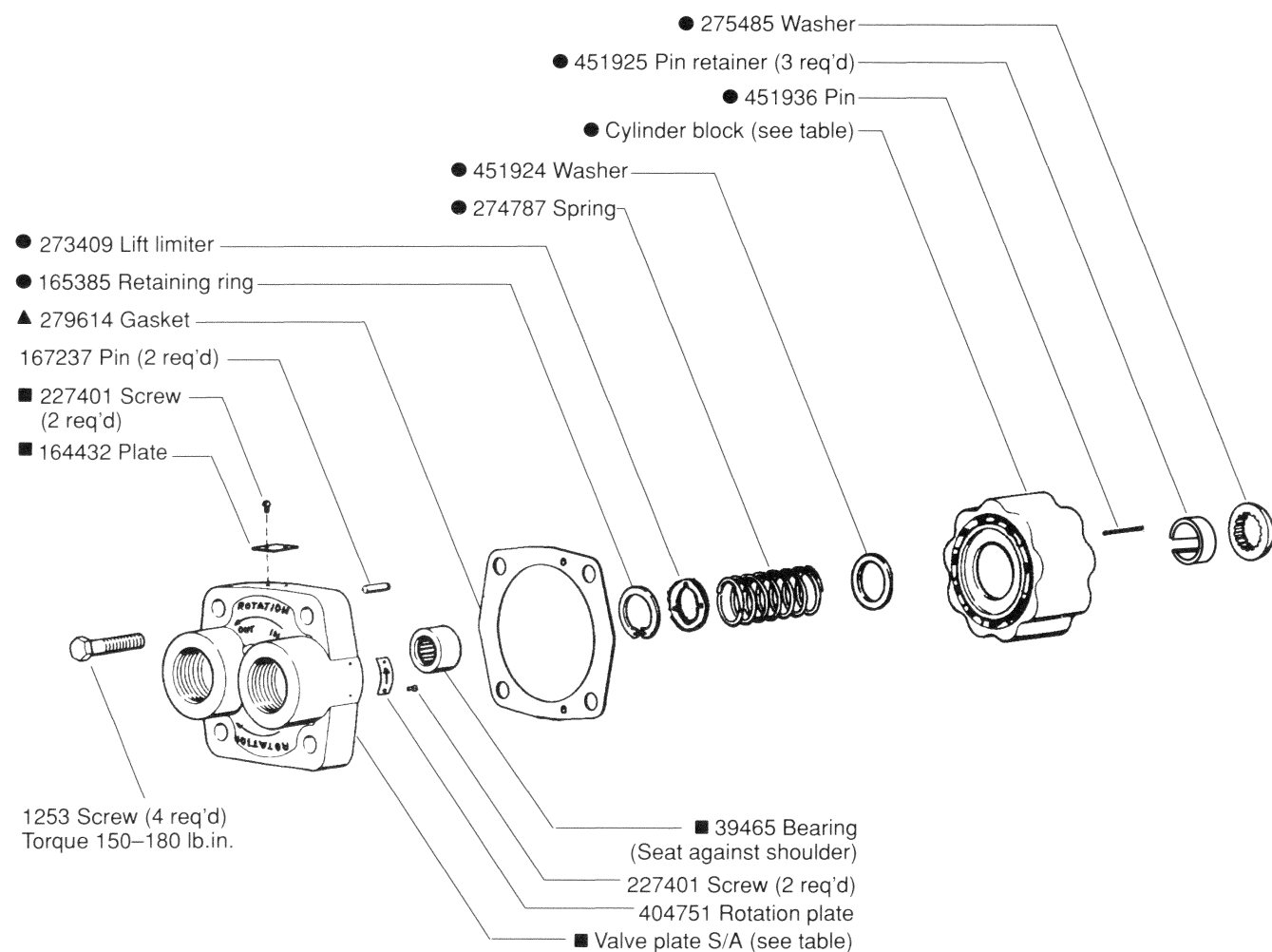
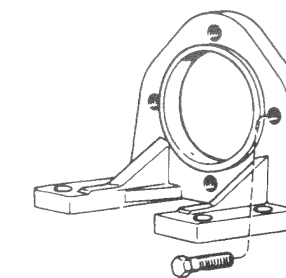


Vickers Incorporated
5445 Corporate Drive
P.O. Box 302
Troy, MI 48007-0302
U.S.A.

Model	Valve Plate S/A
PFB5-(F)RY-22	942313
PFB5-(F)LY-22	942314
*FB5-(F)U(Y)-21	938551

FOOT BRACKET OPTION

FB-A-10 Mounting kit
(Includes screws)



Shaft	Key	Model
274669	157671	Std.
266161	142843	Heavy duty

Cylinder Block	Piston S/A Kit	Rotating Group	Model
677061	942229	875775	PFB5
677059		875772	MFB5

- ▲ Included in 919239 Seal kit F3 equivalent 919311
- Included in Valve Plate S/A
- Included in Rotating Group

For satisfactory service life of these components, use full flow filtration to provide fluid which meets ISO cleanliness code 16/13 or cleaner. Selections from pressure, return and in-line filters series are recommended.