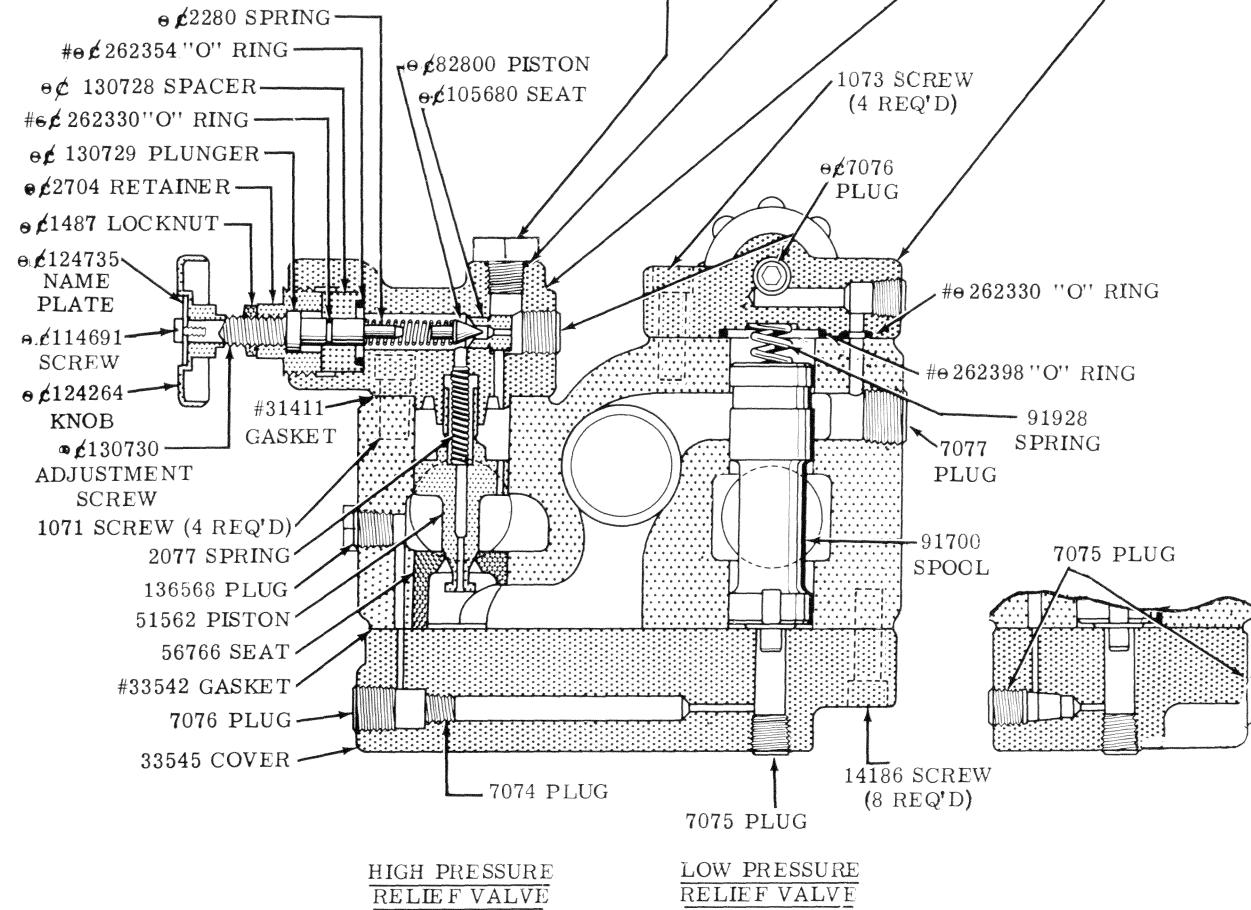


**6 COMBINATION
FOR -5 DESIGN LARGE SIZE VC SERIES
(FOR CHECK VALVE PARTS, SEE PAGE 1)**

⊖	INCLUDED IN COVER KIT 925328
⊘	INCLUDED IN COVER KIT 925329
⊖ ⊘	INCLUDED IN BOTH COVER KITS
#	INCLUDED IN GASKET KIT 919307

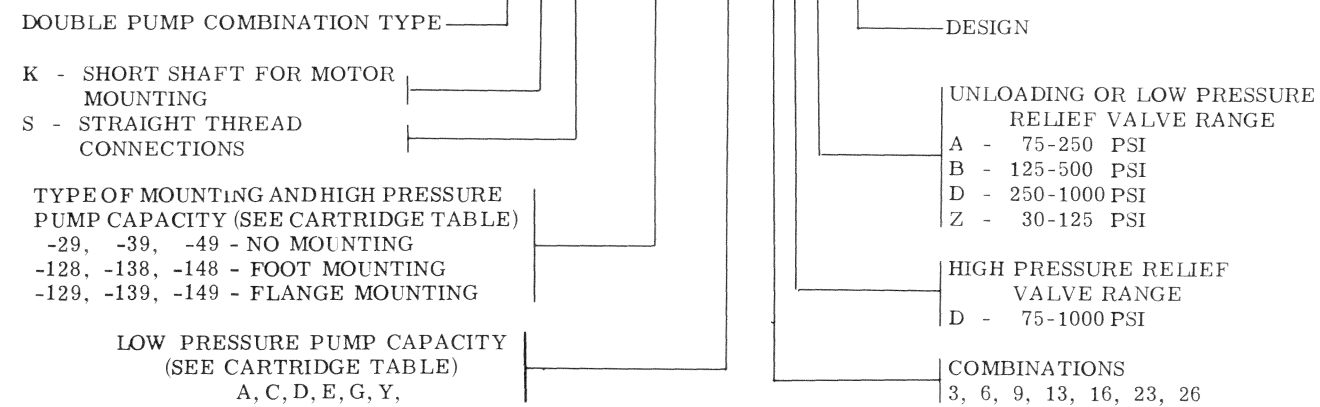
⊖ ⊘ ALL PARTS SO MARKED ARE THE SAME IN EACH COVER KIT

PUMP TYPE (See Model Code)	PLUG	"O" RING	HIGH PRESSURE COVER	⊘ KIT	LOW PRESSURE COVER	⊖ KIT
VC, VCK	⊖ ⊘ 7075		⊘ 131218	925329	⊖ 131247	925328
VCS, VCKS	181728	# 263496	183658		185129	

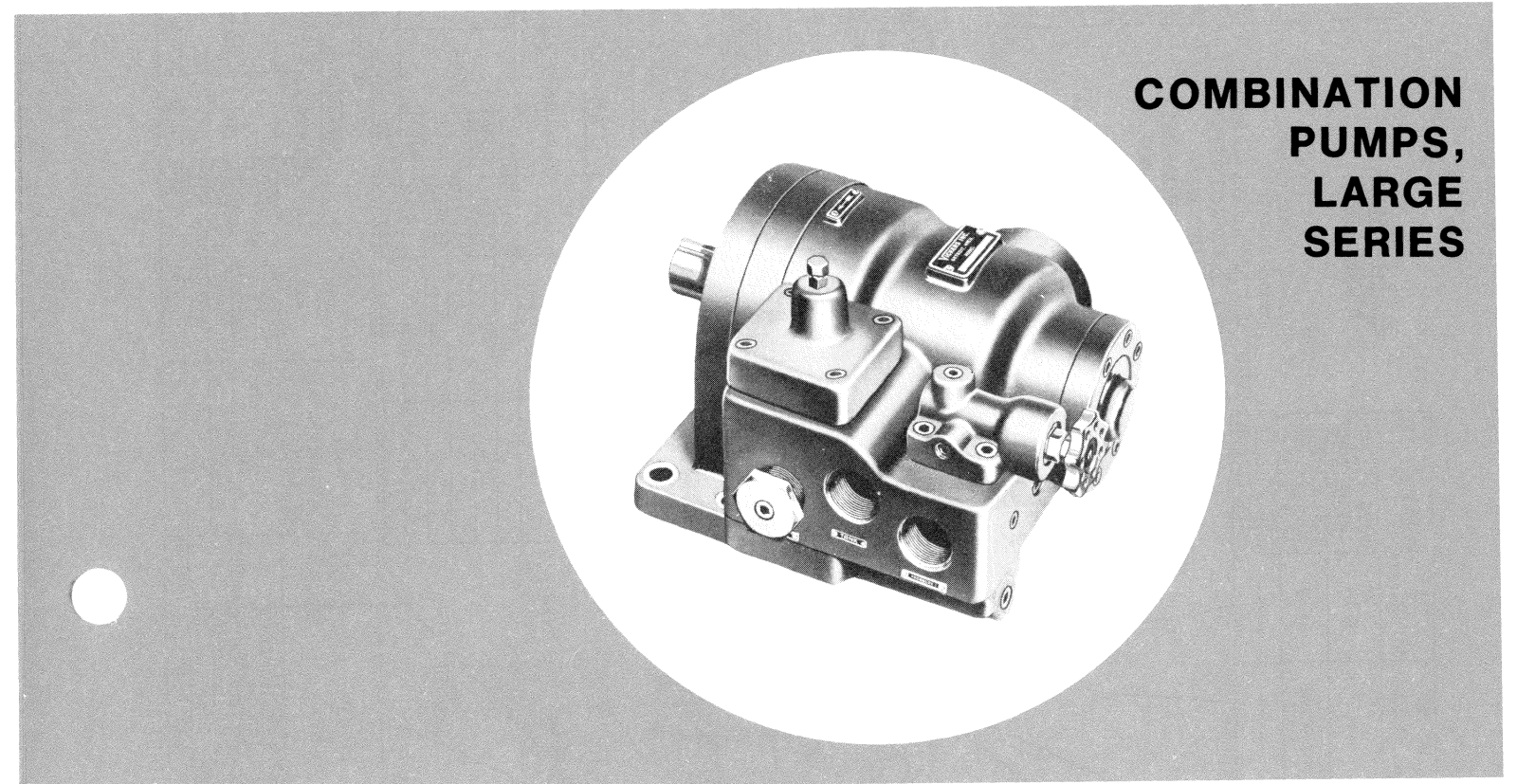
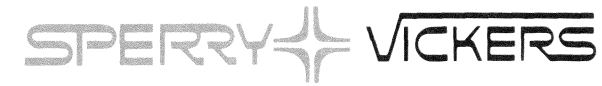


MODEL CODE BREAKDOWN

VC(*)(*)-***-**-D*-5



Litho in U. S. A.



**COMBINATION
PUMPS,
LARGE
SERIES**

**SERVICE
PARTS
INFORMATION**

VC, VCK, VCS, VCKS
-29, -39, -49, -128, -138, -148-*-5
-129, -139, -149-*-5

SPERRY VICKERS
TROY, MI. 48084

Revised 7-1-78

I-3156-S

BASIC PUMP FOR ALL VALVE COMBINATIONS -5 DESIGN LARGE SIZE VC SERIES

SERIES	MOUNTING	GASKET	L. WASHER (8 REQ'D)	SCREW (8 REQ'D)	SHAFT	KEY
VC, VCS	1*8	FOOT	---	---	182856	3457
VCK, VCKS	1*8	36609	---	---	182857	1628
VC, VCS	1*9	FL'G	#34311	9X-8544	182856	3457
VCK, VCKS	1*9	33546	---	---	182857	1628
VC, VCS	*9	---	---	---	182856	3457
VCK, VCKS	*9	---	---	---	182857	1628

CARTRIDGE ASSEMBLY

RIGHT HAND ROTATION VIEWING PUMP FROM SHAFT END
REVERSE CARTRIDGE PARTS FOR LEFT HAND ROTATION ASSEMBLE VANES WITH BEVELED EDGES TRAILING DIRECTION OF ROTATION.

#919307 (F3) SEAL KIT CONSISTS OF:

31411 GASKET	1
33228 GASKET	1
33542 GASKET	1
34311 GASKET	1
255473 SEAL	1
261816 SEAL	1
261817 PACKING	1
262330 "O"RING	3
262331 "O"RING	2
262352 "O"RING	1
262354 "O"RING	2
262398 "O"RING	1
263496 "O"RING	1
263502 "O"RING	1
905505 SEALS/A	1

1093 SCREW (8 REQ'D) ADJUST TO 150 INCH/LBS. MIN.

REPLACED WITH 31525 PLUG FOR PUMP VALVE COMBINATION 6 AND 16

744-X POPPET 2943 SPRING 7079 PLUG

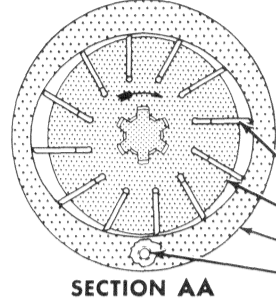
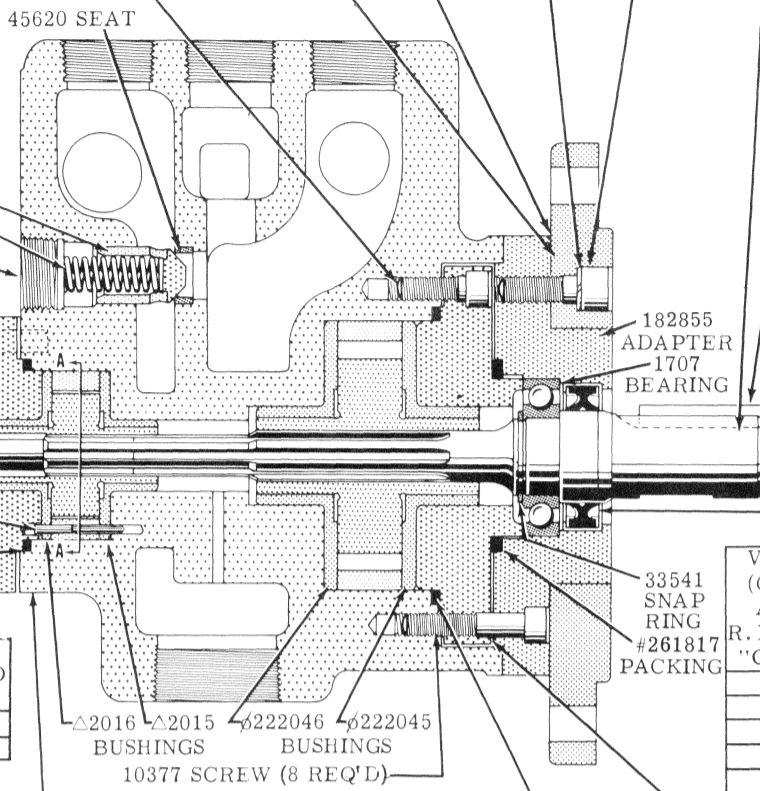
1273 SCREW (8 REQ'D) ADJUST TO 50 INCH/LBS. MIN.

1700 BEARING Δ PIN

#255473 PACKING

PUMP SIZE CODE LETTER	HEAD
A, C, E, G, Y	24064
D	21608

PUMP TYPE (See Model Code)	BODY
VC, VCK	33139
VCS, VCKS	184311



#905505 SEAL SUB-ASSY. INCLUDES 261805 OIL SEAL AND 290945 GASKET. INSTALL GASKET IN COUNTERBORE OF ADAPTER. APPLY LUBRICANT - COMPATIBLE WITH FLUID USED - TO I. D. OF SEAL AND ASSEMBLE WITH SPRING TOWARD INSIDE OF THE PUMP.

VOLUME (G.P.M.) AT 1200 R.P.M. AND "O" P.S.I.	(SEE MODEL CODE) PUMP SIZE LETTER	CART-RIDGE KIT NO.	HIGH PRESSURE PUMP CARTRIDGE KITS CONSIST OF:				
			RING	ROTOR	VANE KIT (12 VANES)	BUSHINGS	PIN
1.5	Y	912017	12220				
2.5	E	912015	2299				
3.3	G	912016	40151	2008	912021	2015 AND 2016	
5.0	A	912013	2011				
8.0	C	912014	2013				
11.2	D	912018	2014	2007	912022		

PUMP MODEL	PUMP HEAD	VOLUME (G.P.M.) AT 1200 R.P.M. AND "O" P.S.I.	CARTRIDGE KIT NO.	LOW PRESSURE PUMP CARTRIDGE KITS CONSIST OF:				
				RING	ROTOR	VANE KIT (12 VANES)	BUSHINGS	PIN
VC**-29, -128, -129		14.5	912077	24188				
VC**-39, -138, -139		18.8	912078	2044				
VC**-39U, -138U, -139U	182853	22.3	912079	15482	2042	912023	222045 AND 222046	2051
VC**-39X, -138X, -139X		29.1	912080	2347				
VC**-49, -148, -149	182854	36.8	912081	3246	2065	912024		

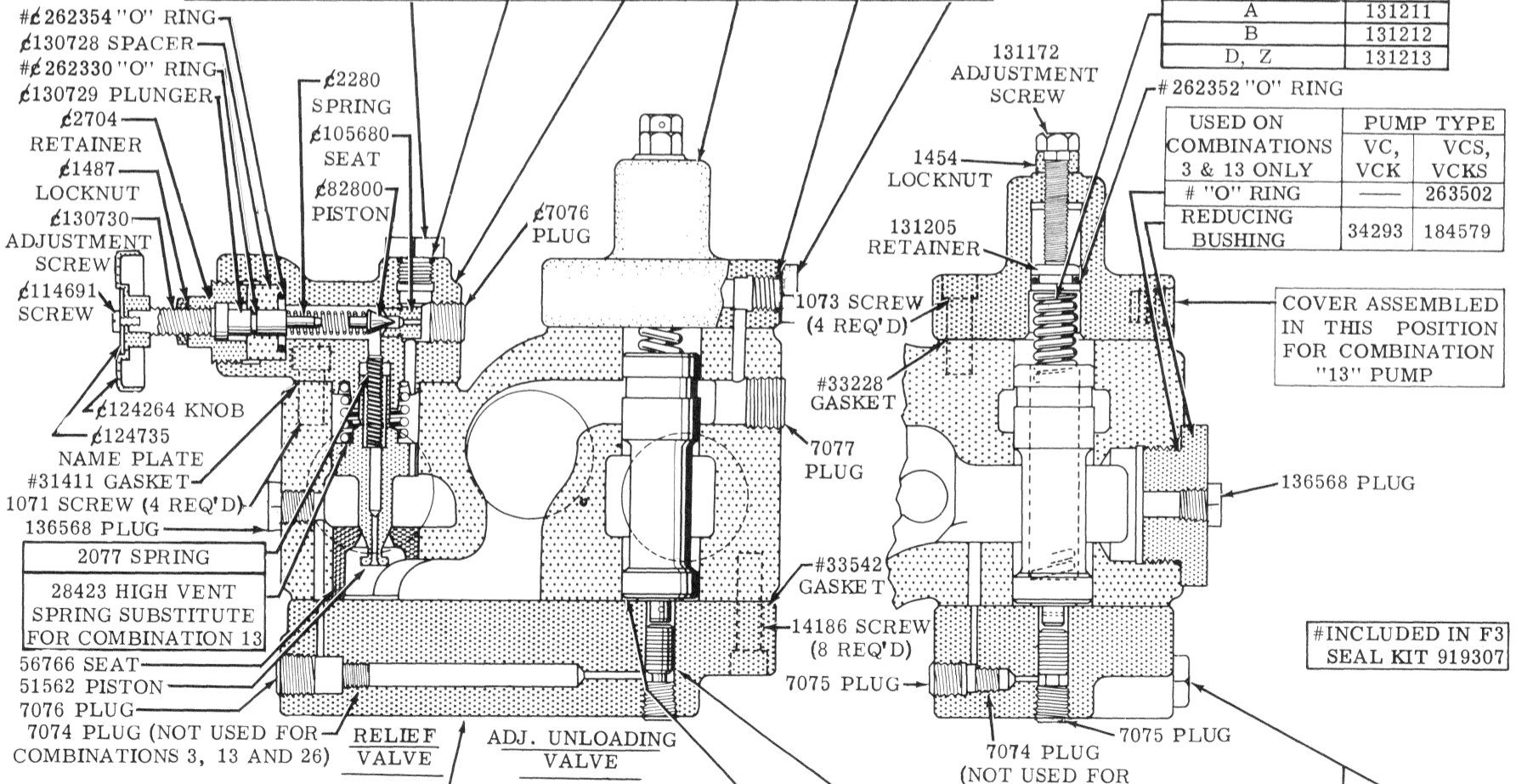
3, 9, 13, 16, 23 AND 26 COMBINATIONS FOR -5 DESIGN LARGE SIZE VC SERIES

¢ INCLUDED IN COVER KIT 925329

PUMP TYPE (See Model Code)	PLUG	"O" RING	COVER HIGH PR.	COVER LOW PR.	"O" RING	PLUG
VC, VCK	¢ 7075	---	¢ 131218	131204	---	7075
VCS, VCKS	181728	# 263496	183658	185478	# 263496	181728

MAX. PRESS. CODE LETTER (See Model Code)	SPRING
A	131211
B	131212
D, Z	131213

USED ON COMBINATIONS	PUMP TYPE
3 & 13 ONLY	VC, VCS, VCK, VCKS
# "O" RING	263502
REDUCING BUSHING	34293 184579



COVER ASSEMBLED IN THIS POSITION FOR COMBINATION "13" PUMP

#INCLUDED IN F3 SEAL KIT 919307

PUMP TYPE (See Model Code)	PUMP COMBINATION	COVER
VC, VCK	3, 9, 13, 23	33545
	16, 26	42191
VCS, VCKS	3, 9, 13, 23	182866
	16, 26	184678

MAX. PRESS. CODE LETTER (See Model Code)	SPOOL	PLUNGER
A, B, D	33250	22226
Z	36738	---
COMB. 16-26	36738	22226

PUMP TYPE (See Model Code)	COMBINATION	PLUG	"O" RING
VC, VCK	3, 9, 13, 16, 26	7075	---
	23	16127	---
VCS, VCKS	3, 9, 13, 16, 26	181728	#263496
	23	---	---