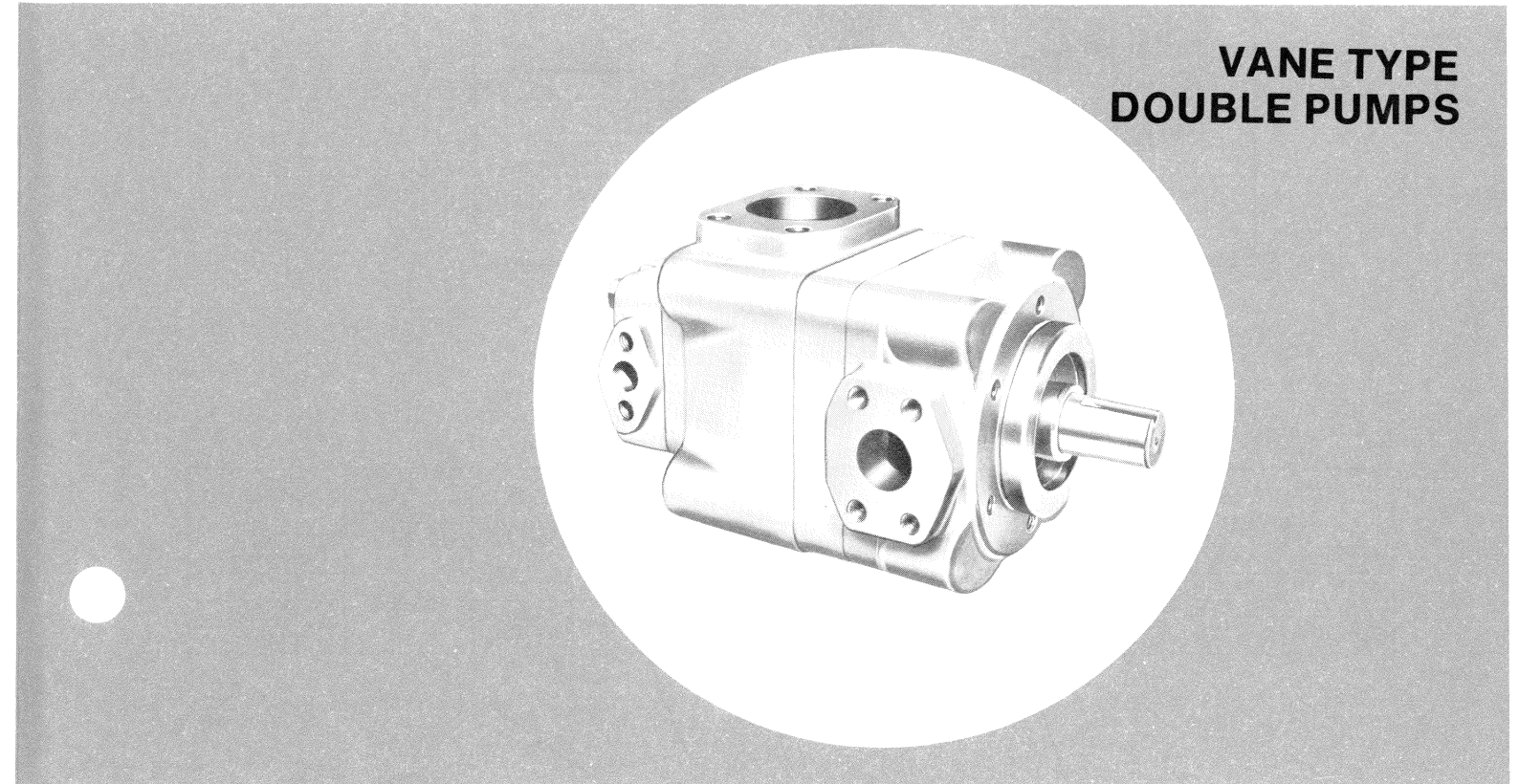
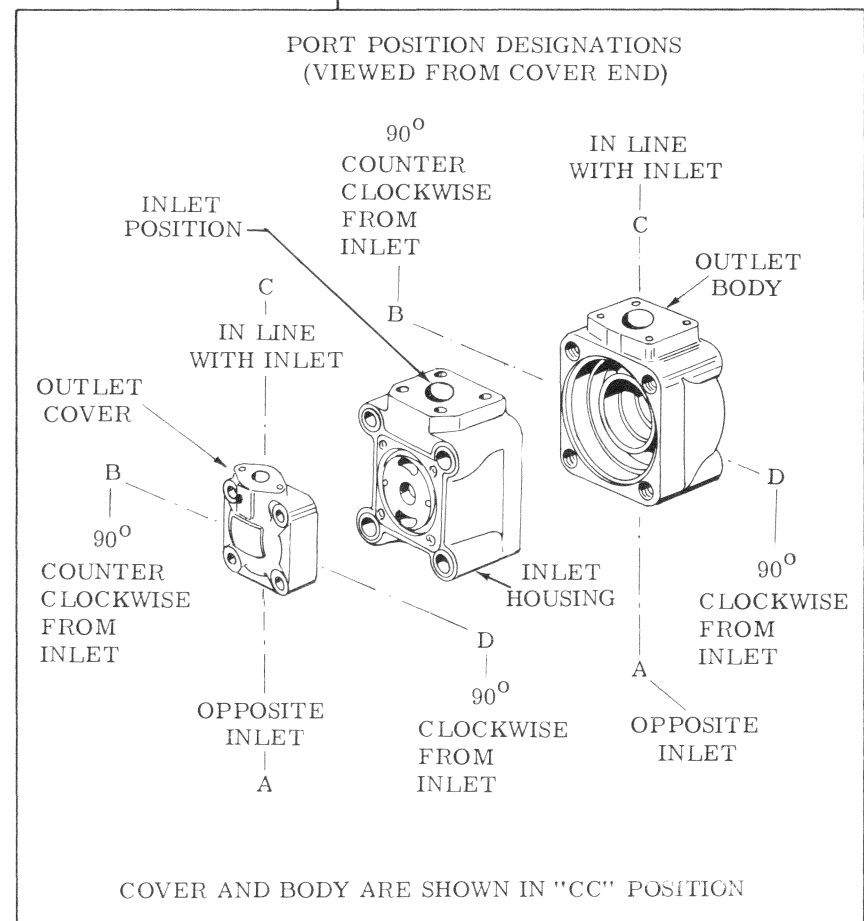
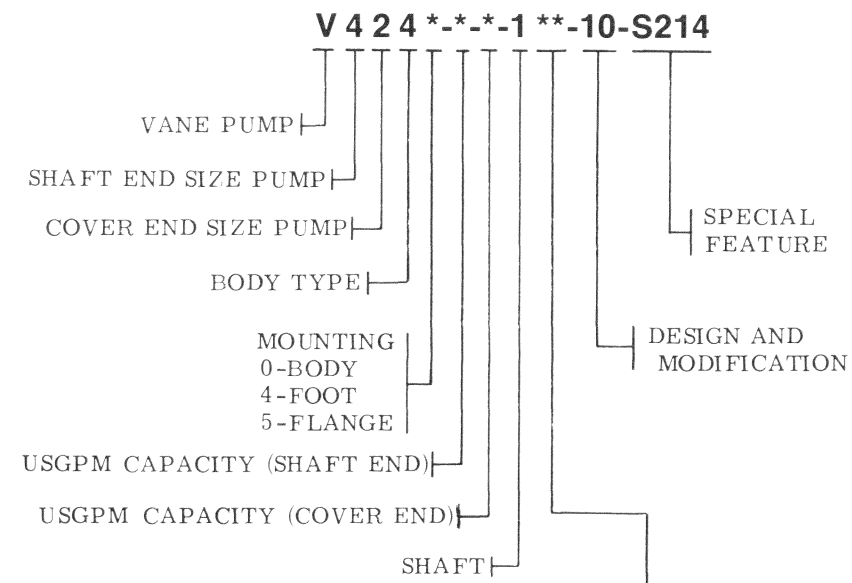


MODEL CODE BREAKDOWN



SERVICE PARTS INFORMATION

V4200-S214

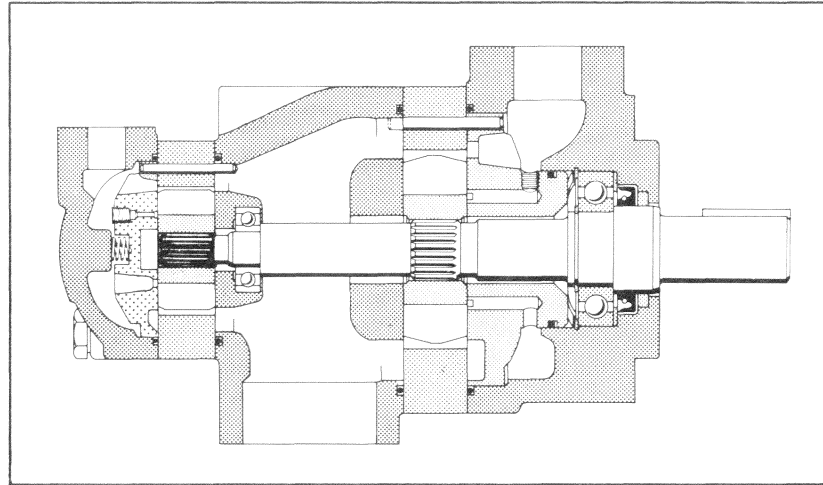
To insure sustained efficiency and maximum trouble-free life of this precision equipment, initial and continuous filtration of the fluid medium to 25 microns absolute or less is essential. (For information pertaining to Sperry Vickers economical 3 or 10 micron filters, see installation drawing 522140.)

Litho in U.S.A.

SPERRY VICKERS
TROY, MI. 48084

Revised 11-1-78

I-3129-S



▲197411 WIPER
(SATURATE WITH OIL
BEFORE ASSEMBLING
ON SHAFT)

▲394974 SEAL (ASSEMBLE WITH SPRING
TOWARD INSIDE OF PUMP)

MODEL	SHAFT	KEY
V42*-*-1*-10-S214	240093	112935

240151 BODY

USGPM CAPACITY (COVER END)	SCREW (4 REQ'D)	PIN (2 REQ'D)	RING	VANE KIT (12 VANES)	ROTOR	"O" RING (2 REQ'D)	CARTRIDGE KIT
			INCLUDED IN CARTRIDGE KIT				
V42*-*-2-***-10-S214	131485	2161	116141	912031	172302	▲154090	912063
V42*-*-5-***-10-S214			114173				912064
V42*-*-8W-***-10-S214	131486	2478	178183	912032	172294		922509
V42*-*-11W-***-10-S214	16662	218320	922568	215043	922574		

102949 RETAINING RING

240193 SPACER

8618 BEARING

237838 SNAP RING

241023 WAVE WASHER

▲154085 "O" RING

241429 PRESSURE
PLATE SUB-ASSY

231167 PIN (2 REQ'D)

MODEL	GASKET	BRACKET	SCREW (6 REQ'D)
V42*4-*-*-*-10-S214	—	122896	1072
V42*5-*-*-*-10-S214	▲134305	128747	1274

1703 BEARING

USGPM CAPACITY (SHAFT END)	"O" RING (2 REQ'D)	VANE KIT (12 VANES)	ROTOR	RING	CARTRIDGE KIT
	INCLUDED IN CARTRIDGE KIT				
V42*-28-*-*-10-S214	▲154105	912030	233304	128553	919149
V42*-36-*-*-10-S214				126507	919150

▲INCLUDED IN
920106 SEAL KIT

F3 EQUIVALENT
SEAL KIT 919297

129345 COVER

114139 SPRING

236217 PRESSURE PLATE

240187 HOUSING

10982 SCREW (4 REQ'D)
(TIGHTEN TO 225 ± 10 lb. ft.)