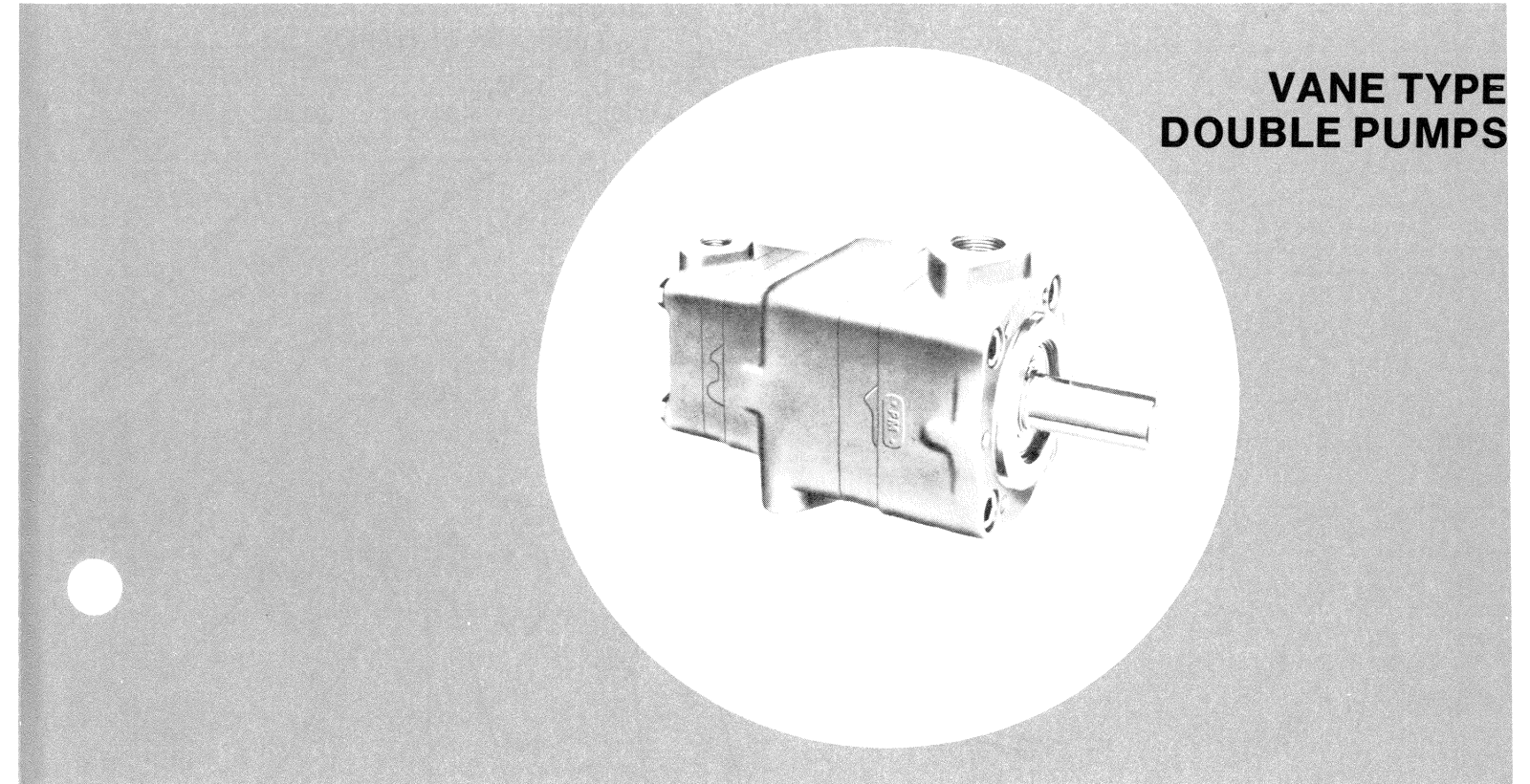
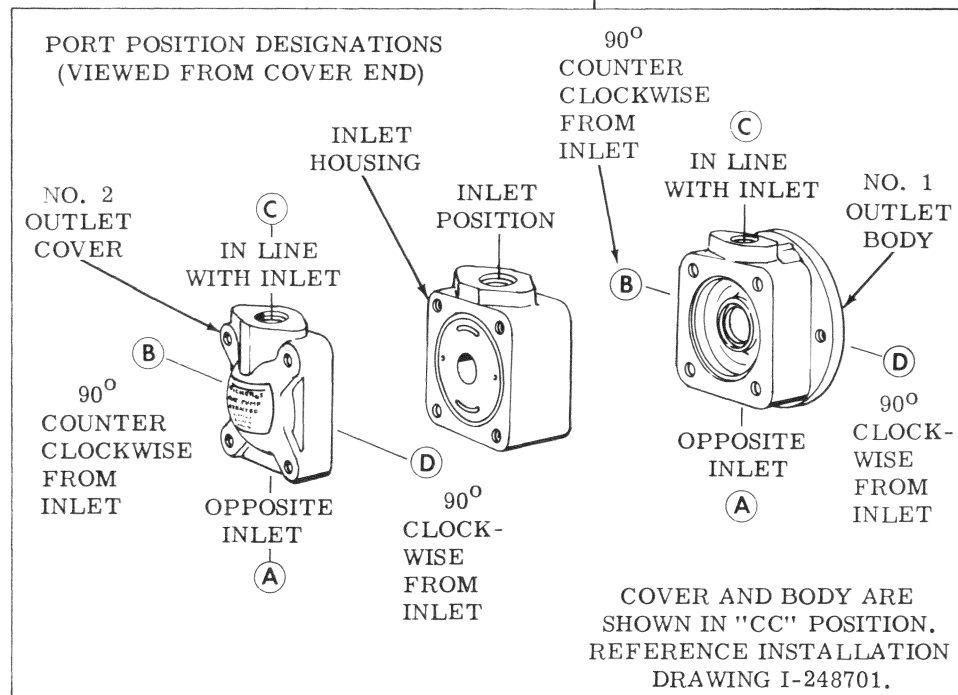
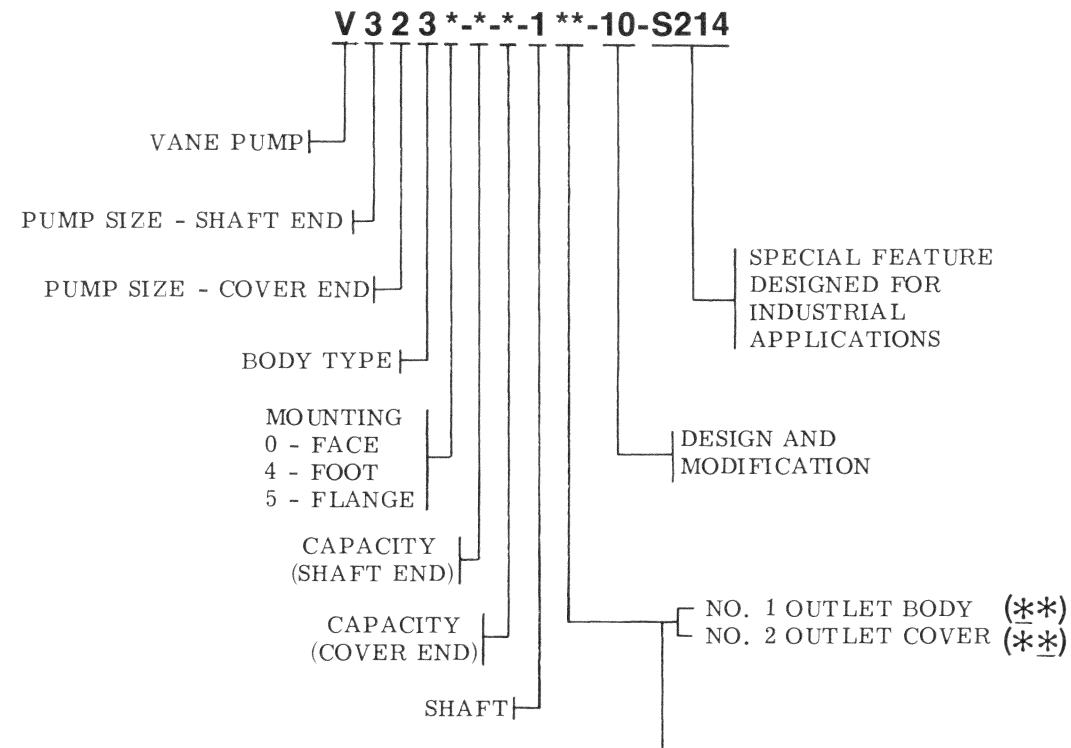


**MODEL CODE BREAKDOWN**



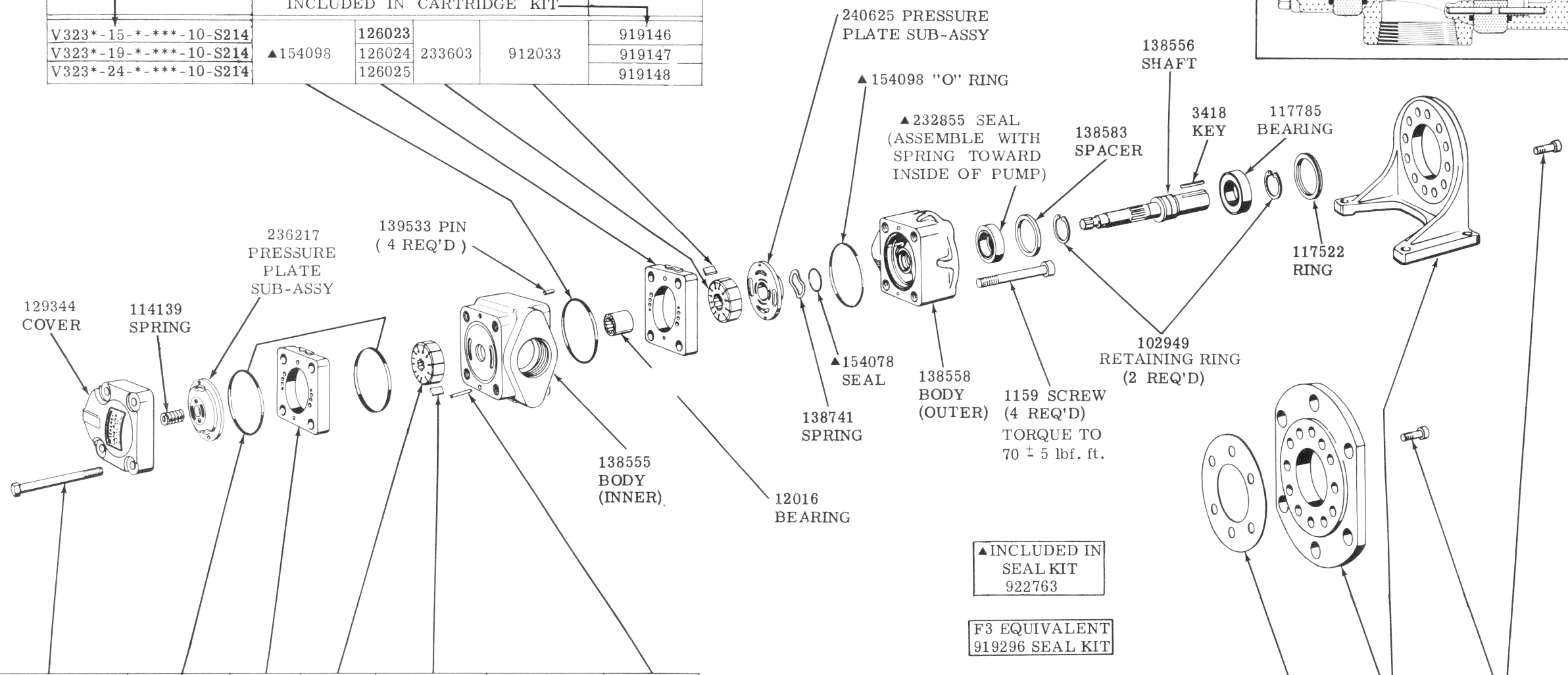
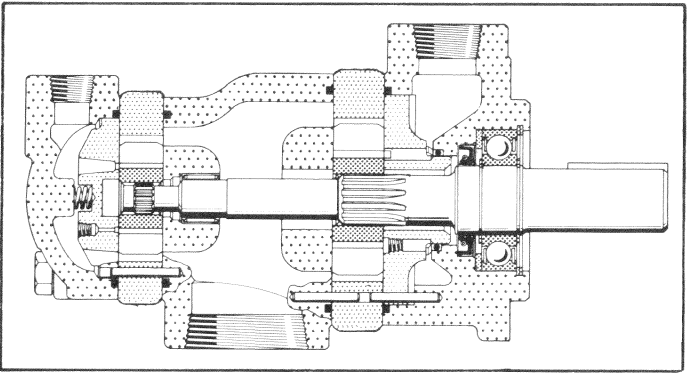
**SERVICE PARTS INFORMATION**

**V3200-S214**

To insure sustained efficiency and maximum trouble-free life of this precision equipment, initial and continuous filtration of the fluid medium to 25 microns absolute or less is essential. (For information pertaining to Sperry Vickers economical 3 or 10 micron filters, see installation drawing 522140.)

SPERRY VICKERS  
TROY, MI. 48084

CAPACITY (GPM) SHAFT END	"O" RING (2 REQ'D)	RING	ROTOR	VANE KIT (12 VANES)	CARTRIDGE KIT
	INCLUDED IN CARTRIDGE KIT				
V323*-15-*-***-10-S214		126023			919146
V323*-19-*-***-10-S214	▲154098	126024	233603	912033	919147
V323*-24-*-***-10-S214		126025			919148



▲ INCLUDED IN SEAL KIT 922763

F3 EQUIVALENT 919296 SEAL KIT

CAPACITY (GPM) COVER END	SCREW (4 REQ'D) TORQUE TO 70 ± 5 lbf. ft.	"O" RING (2 REQ'D)	RING	ROTOR	VANE KIT (12 VANES)	CARTRIDGE KIT	PIN (2 REQ'D)
		INCLUDED IN CARTRIDGE KIT					
V323*-**-2-*-***-10-S214			116141			912063	
V323*-**-5-*-***-10-S214	131485		114173	172302	912031	912064	2161
V323*-**-8W-*-***-10-S214		▲154090	178183	172294	912032	922509	2478
V323*-**-11W-*-***-10-S214	131486		218320	215043	922568	922574	16662

MOUNTING	GASKET	MOUNTING	BOLT
V32*0-*-***-10-S214	—	—	—
V32*4-*-***-10-S214	—	122896	1072 (6 REQ'D)
V32*5-*-***-10-S214	134305	128747	1274 (6 REQ'D)