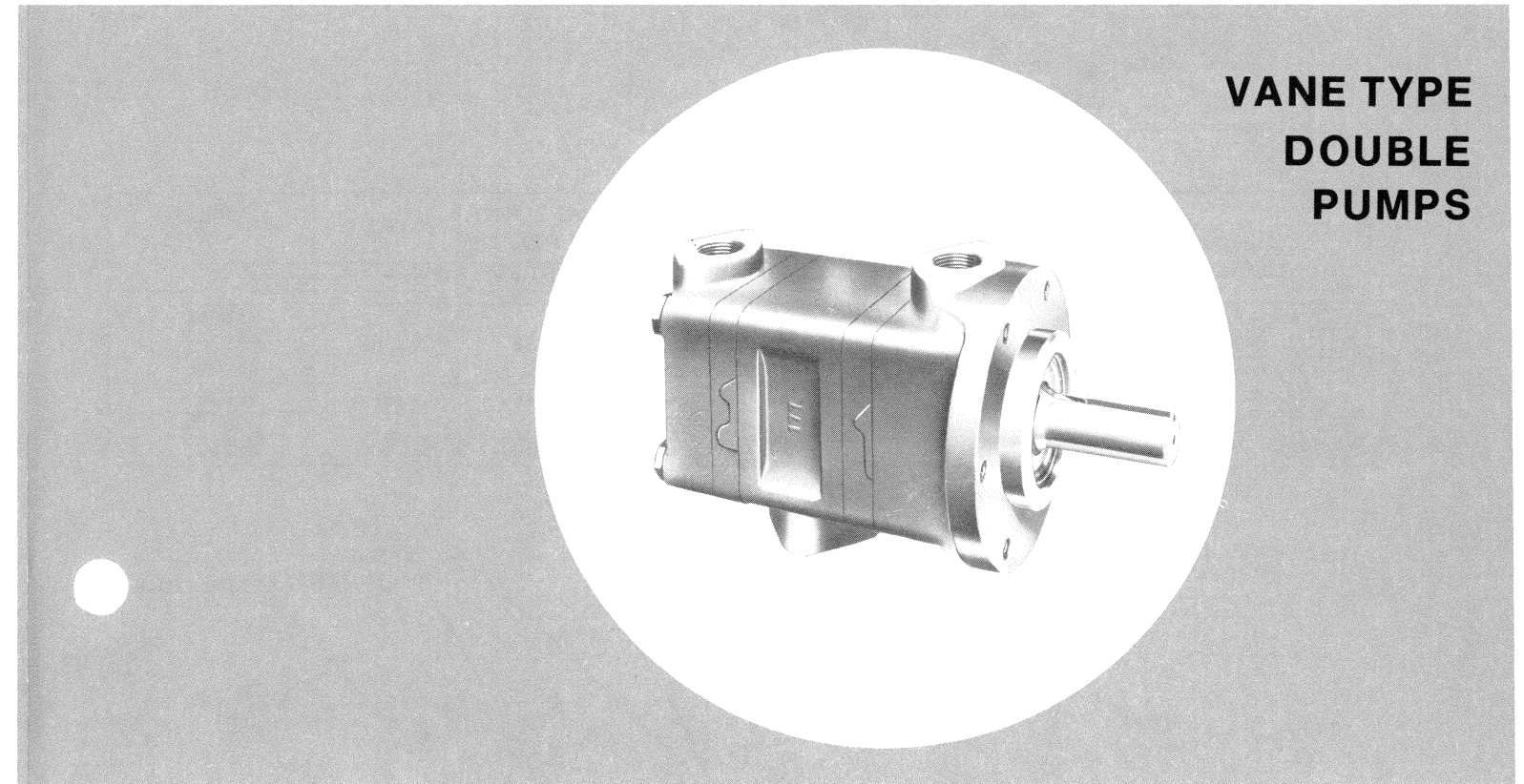
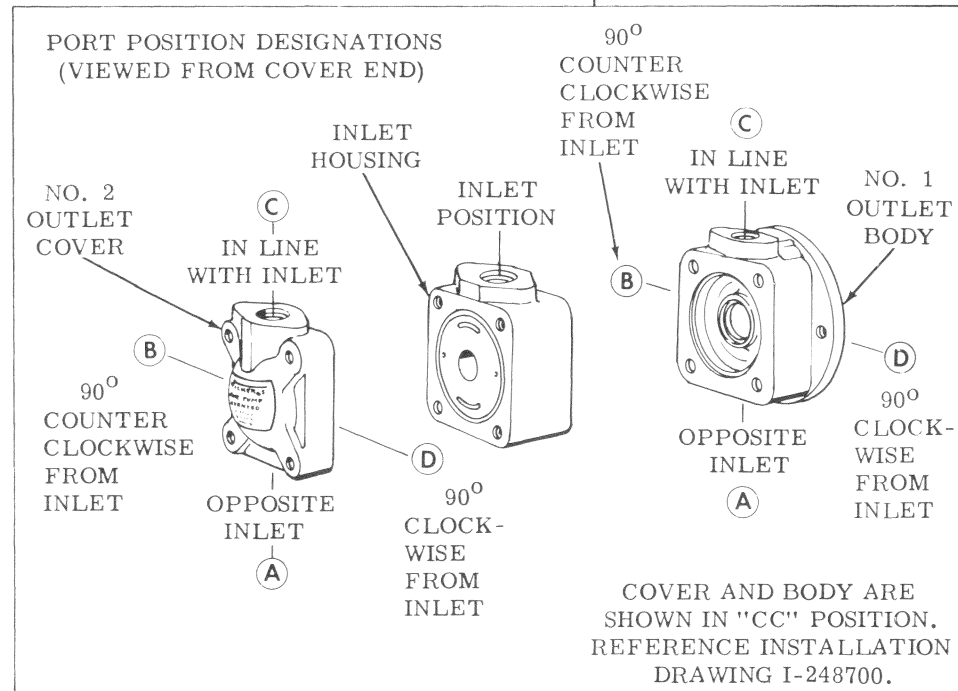
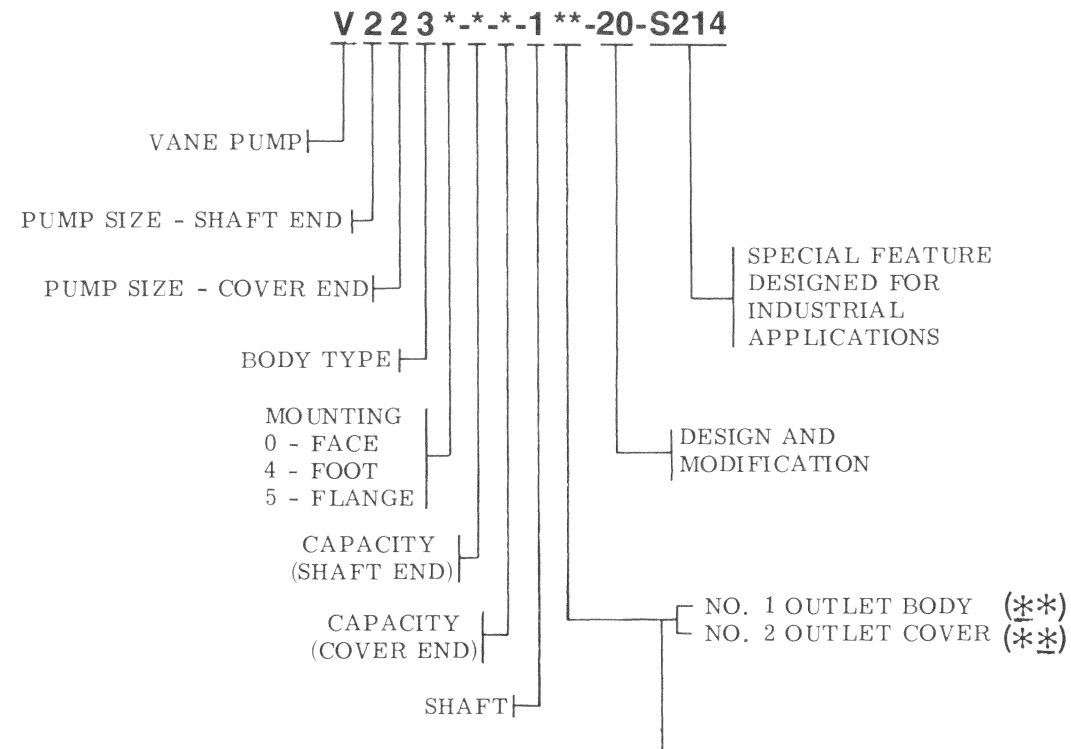


**MODEL CODE BREAKDOWN**



**SERVICE PARTS INFORMATION**

**V2200-S214**

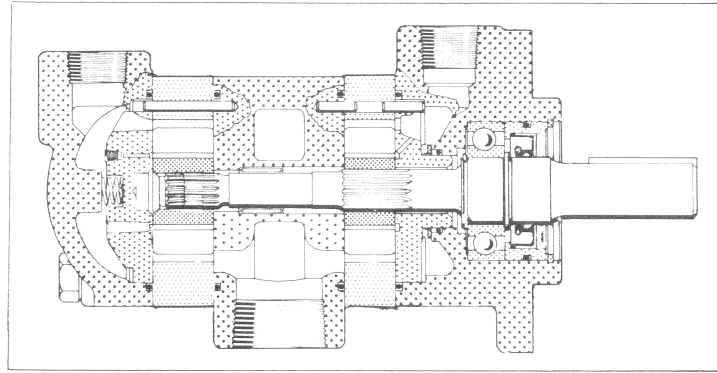
To insure sustained efficiency and maximum trouble-free life of this precision equipment, initial and continuous filtration of the fluid medium to 25 microns absolute or less is essential. (For information pertaining to Sperry Vickers economical 3 or 10 micron filters, see installation drawing 522140.)

Litho in U. S. A.

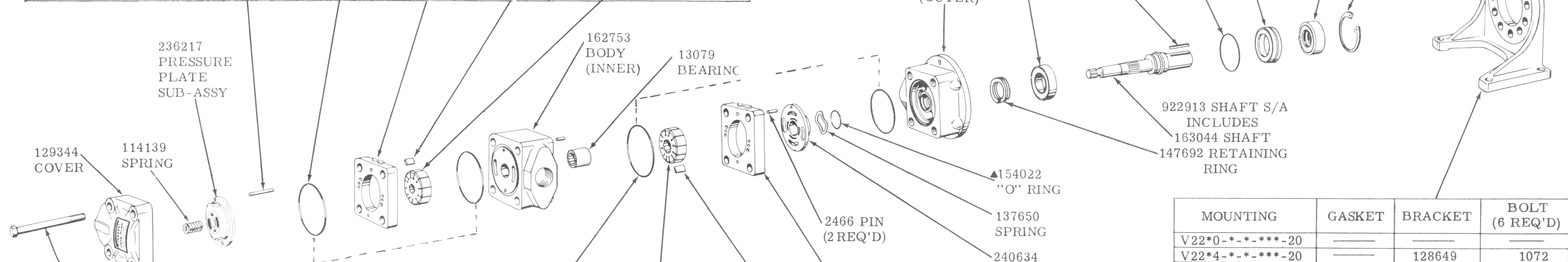
SPERRY VICKERS  
TROY, MI. 48064

Revised 5-1-78

I-3122-S



CAPACITY (COVER END)	PIN (2 REQ'D)	"O" RING (2 REQ'D)	RING	VANE KIT (12 REQ'D)	ROTOR	CARTRIDGE KIT
		INCLUDED IN CARTRIDGE KIT				
V223*-2-1AA-20-S214	2161	▲154090	116141	912031	172302	912063
V223*-5-1AA-20-S214			114173			912064
V223*-6-1AA-20-S214			133177			912065
V223*-8W-1AA-20-S214	2478	▲154090	178183	912032	172294	922509
V223*-9W-1AA-20-S214			193219			922537
V223*-11W-1AA-20-S214	16662		218320	922568	215043	922574



MOUNTING	GASKET	BRACKET	BOLT (6 REQ'D)
V22*0*-***-20	—	—	—
V22*4*-***-20	—	128649	1072
V22*5*-***-20	134305	128395	1274

COVER BOLT (4 REQ'D) TORQUE TO 65-76 lbf. ft.	CAPACITY	
	SHAFT END	COVER END
37878	V22*-2	2, 5, 6
118458	V22*-2	8W, 9W
38523	V22*-2	11W
38523	V22*-3	11W
37878	V22*-5	5
118458	V22*-5	8W
38523	V22*-5	11W
38523	V22*-6	11W
38523	V22*-8W	8W
45015	V22*-8W	11W
45015	V22*-9W	11W
45015	V22*-11	11W

CAPACITY (SHAFT END)	"O" RING (2 REQ'D)	ROTOR	VANE KIT (12 REQ'D)	RING	CARTRIDGE KIT
	INCLUDED IN CARTRIDGE KIT				
223*-2*-1*-20-S214	▲154090	240632	912031	116141	912231
223*-3*-1*-20-S214				214140	922606
223*-5*-1*-20-S214				114173	912196
223*-6*-1*-20-S214				133177	919494
223*-8W*-1*-20-S214				178183	922510
223*-9W*-1*-20-S214	174972	912032	193219	919495	
223*-11*-1*-20-S214			114172	912197	

▲ INCLUDED IN 922762 SEAL KIT

