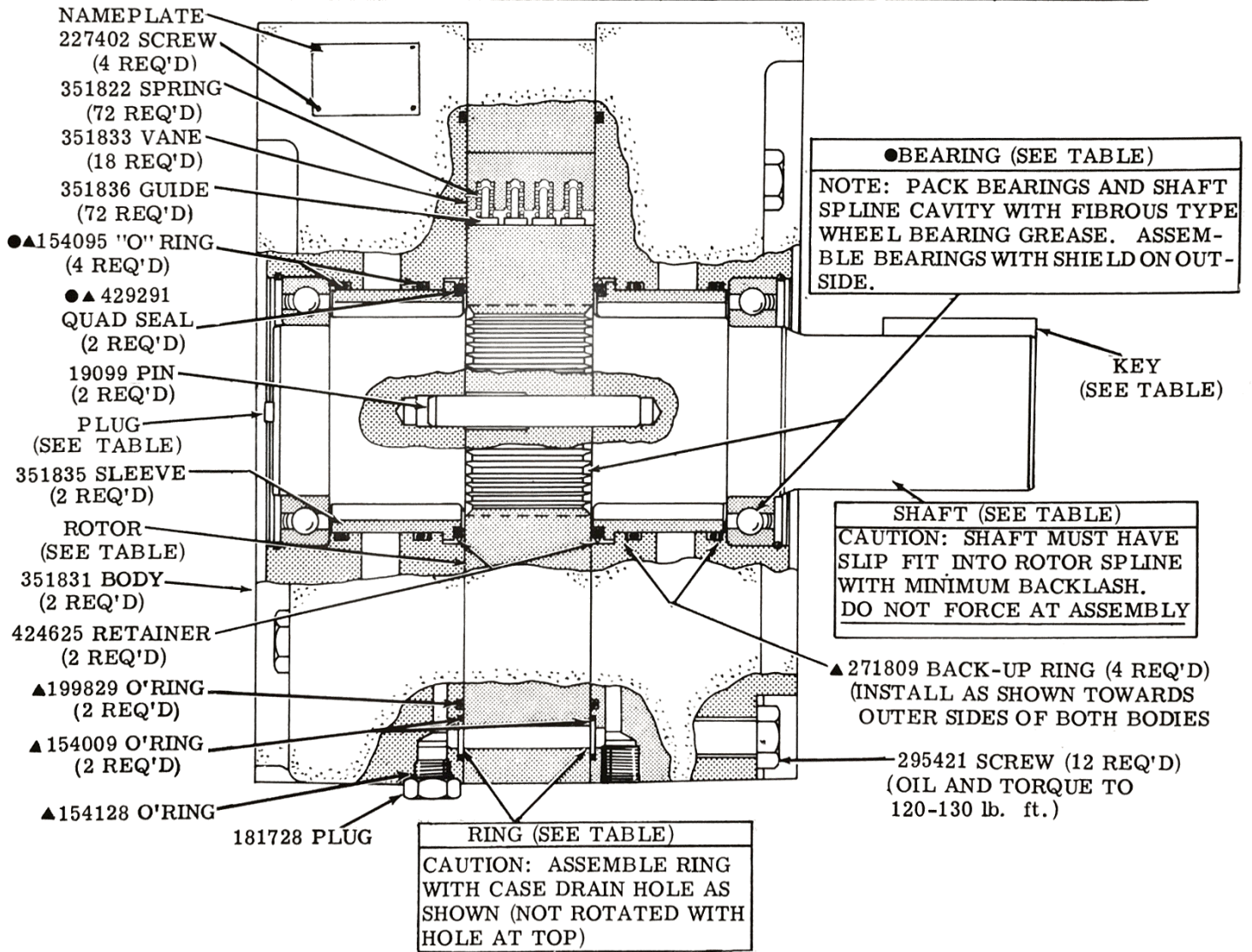


**Service Parts Information**

**MHT-70/90 VANE MOTORS**

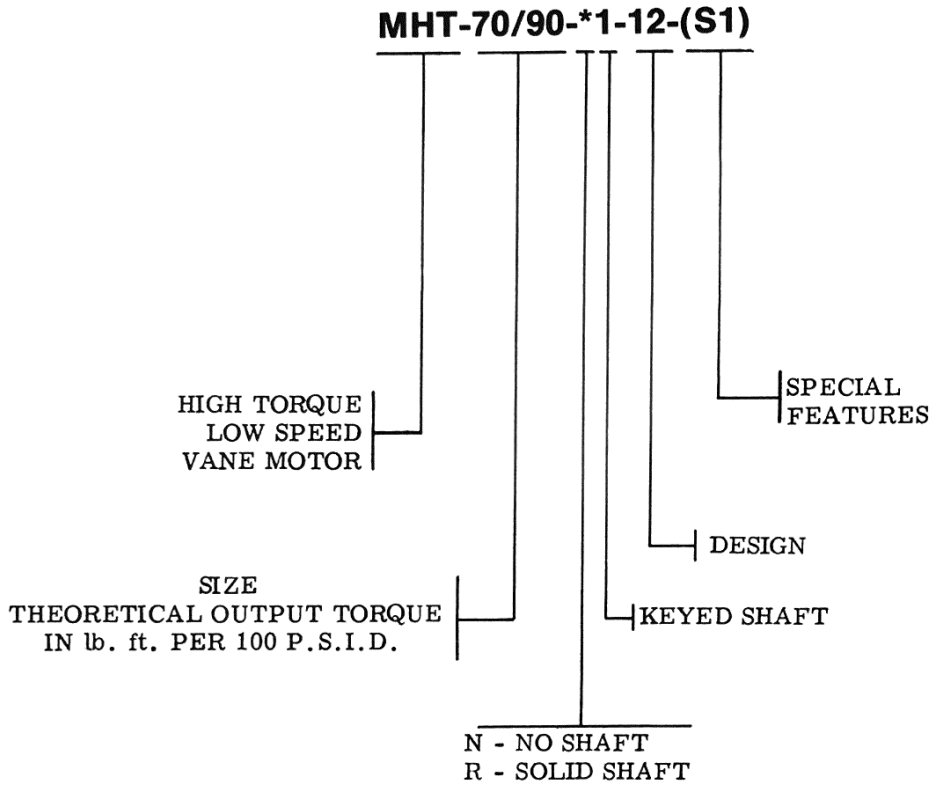
MODEL	RING	SHAFT	BEARING (QTY)	SNAP RING (QTY)	KEY	PLUG	ROTOR
MHT-70-N1-12							
MHT-70-N1-12-S1	351830		353173	1	351823	1	390707
MHT-70-R1-12		351834	2	2	69588	7074	
MHT-90-N1-12							
MHT-90-N1-12-S1	356171		353173	1	351823	1	351828
MHT-90-R1-12		351834	2	2	69588	7074	



▲ INCLUDED IN SEAL KIT 919663

CAUTION: WHEN ASSEMBLING CARTRIDGE, INSERT VANES IN ROTOR SLOTS AT THE MINOR DIAMETER OF CAM RING. ROTATE CARTRIDGE ONE COMPLETE REVOLUTION BY HAND PRIOR TO ASSY WITH BODIES TO PREVENT MISALIGNMENT OF SPRINGS AND GUIDES.

# MODEL CODE BREAKDOWN



---

To insure sustained efficiency and maximum trouble-free life of this precision equipment, initial and continuous filtration of the fluid medium to 25 microns absolute or less is essential. (For information pertaining to Sperry Vickers economical 3 or 10 micron filters, see installation drawing 522140.)