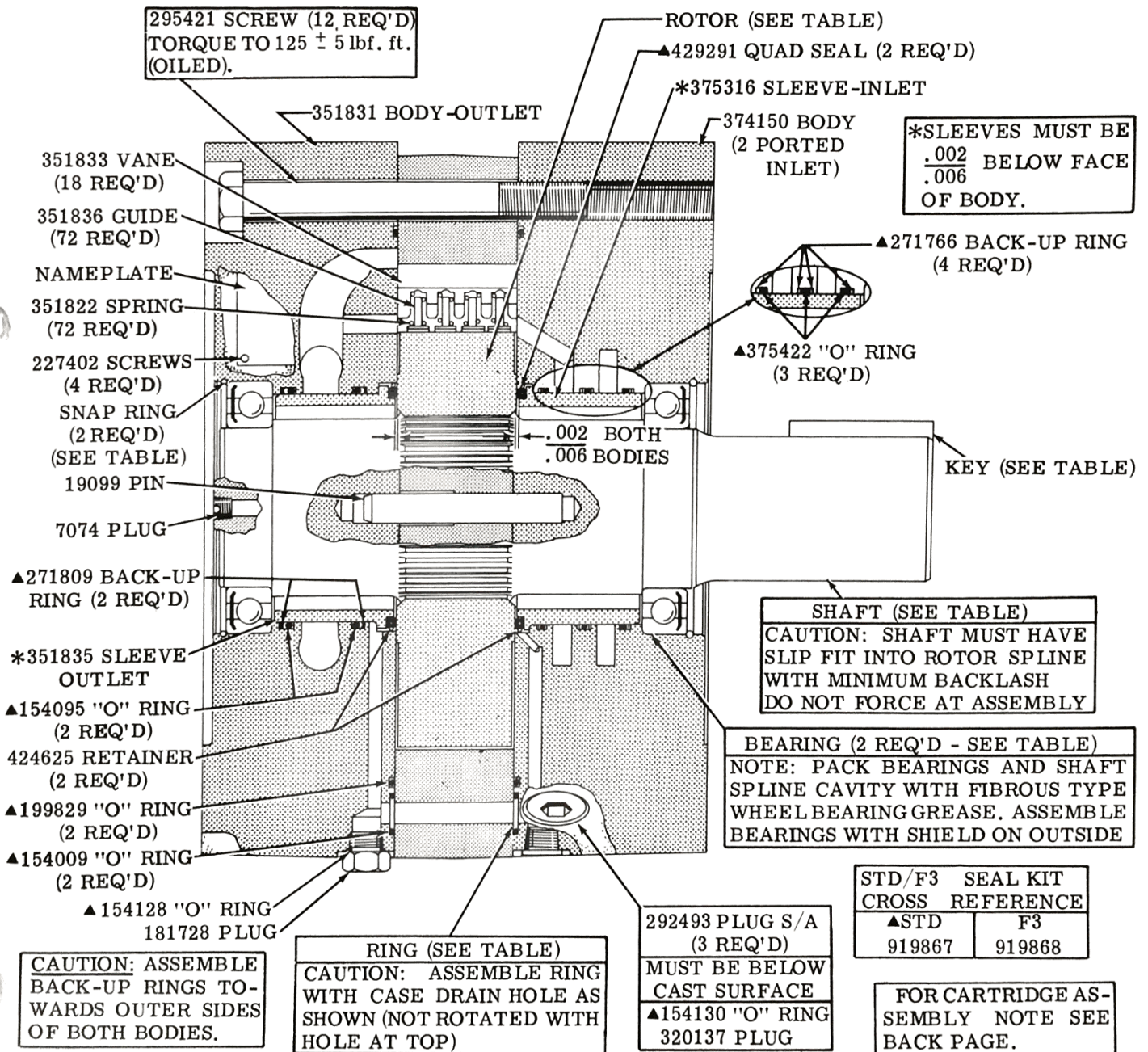


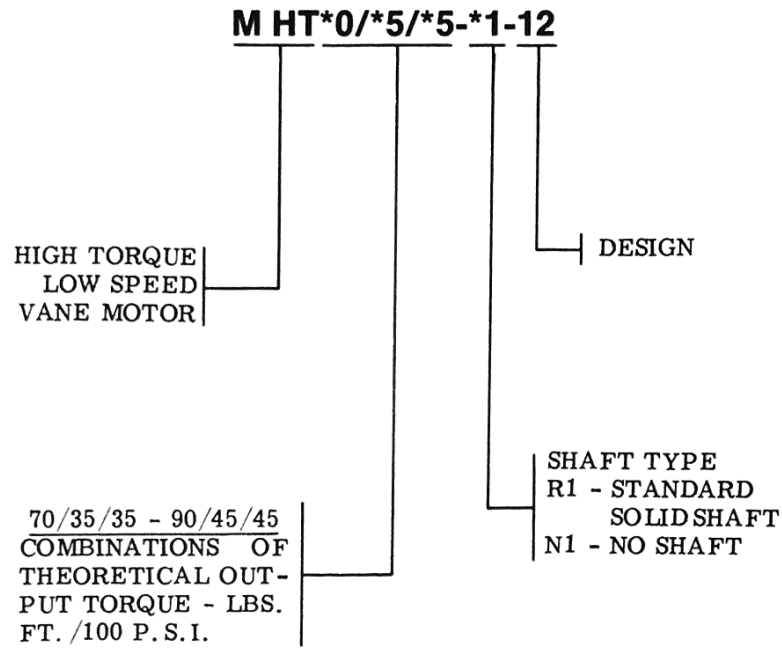
Service Parts Information

**MHT 70/90
SPLIT RISE
VANE MOTORS**

MODEL	RING	BEARING	SNAP RING	SHAFT	KEY	ROTOR
MHT-70/35/35-N1-12	351830	---	---	---	---	390707
MHT-70/35/35-R1-12	---	353173	351823	351834	69588	---
MHT-90/45/45-N1-12	356171	---	---	---	---	---
MHT-90/45/45-R1-12	---	353173	351823	351834	69588	351828



MODEL CODE BREAKDOWN



CAUTION: WHEN ASSEMBLING CARTRIDGE, INSERT VANES IN ROTOR SLOTS AT THE MINOR DIAMETER OF CAMRING. ROTATE CARTRIDGE ONE COMPLETE REVOLUTION BY HAND PRIOR TO ASSEMBLY WITH BODIES TO PREVENT MISALIGNMENT OF SPRINGS AND GUIDES.

To insure sustained efficiency and maximum trouble-free life of this precision equipment, initial and continuous filtration of the fluid medium to 25 microns absolute or less is essential. (For information pertaining to Sperry Vickers economical 3 or 10 micron filters, see installation drawing 522140.)