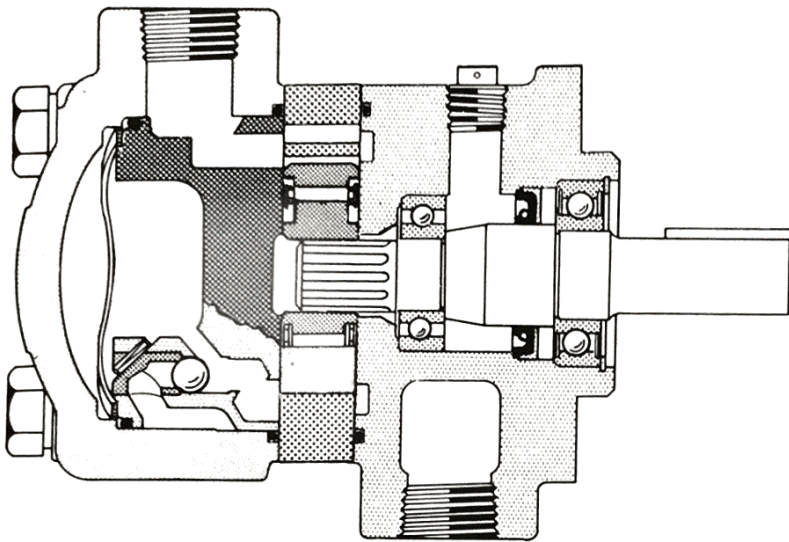
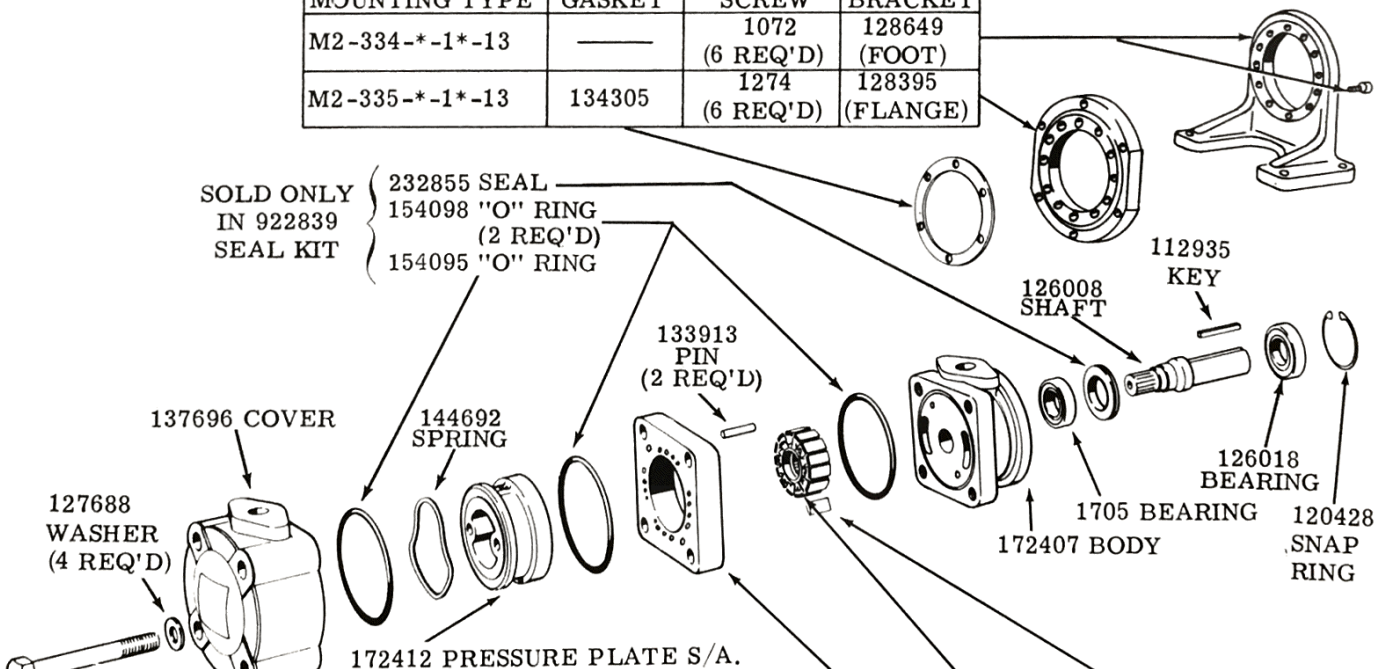


## Service Parts Information

### M2-300 SERIES VANE MOTORS



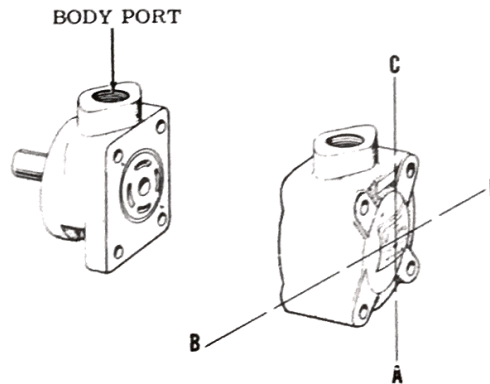
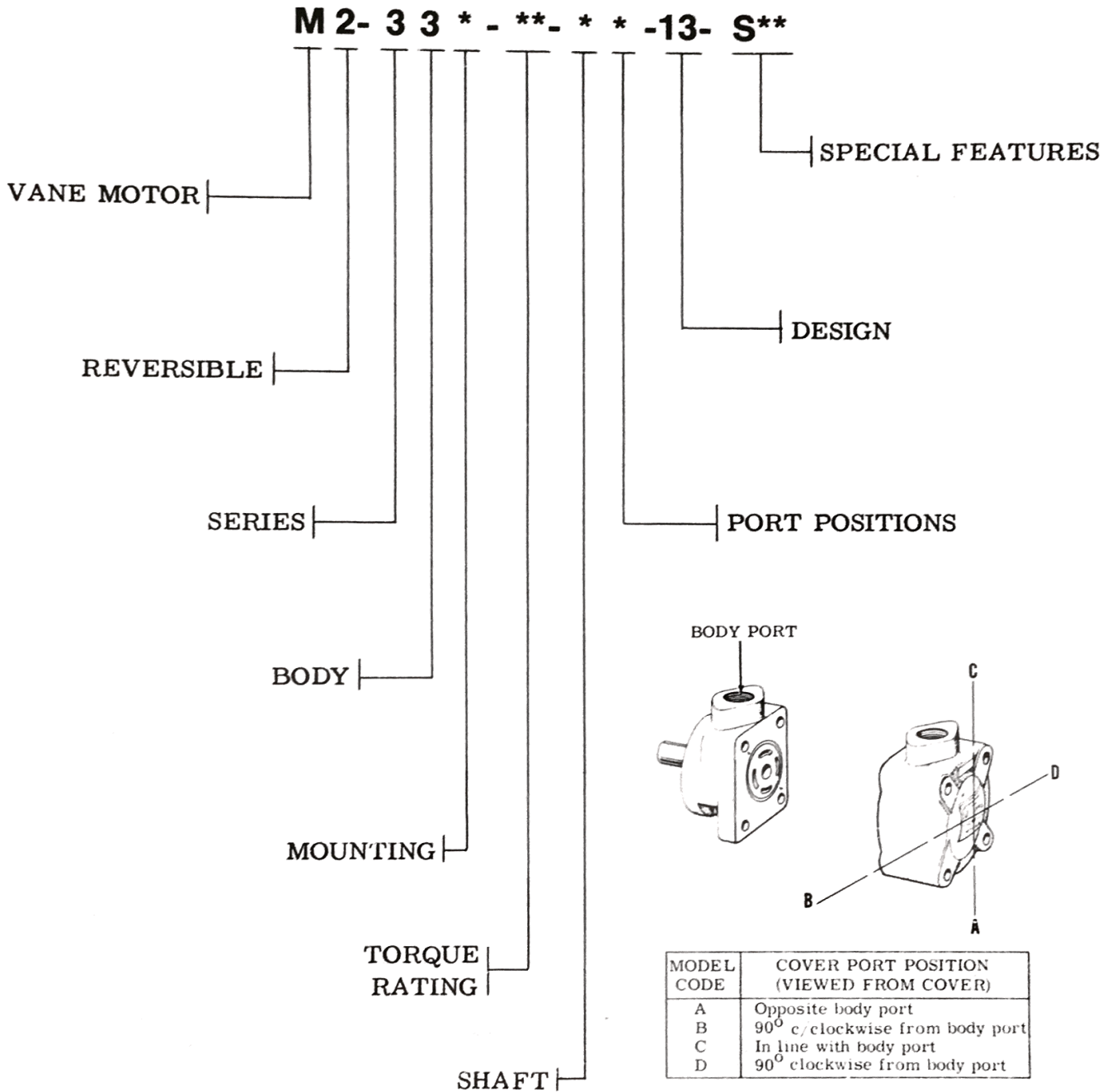
MOUNTING TYPE	GASKET	SCREW	BRACKET
M2-334-*-1*-13	—	1072 (6 REQ'D)	128649 (FOOT)
M2-335-*-1*-13	134305	1274 (6 REQ'D)	128395 (FLANGE)



138372 SCREW  
 (4 REQ'D)  
 (TIGHTEN TO 100 FT.  
 LBS. + 10 FT. LBS.)

TORQUE CAPACITY	CARTRIDGE KIT	RING	ROTOR SUB-ASSY	VANE KIT
	INCLUDED IN CARTRIDGE KIT			
M2-33*-45-1*-13	922836	172410	170402	912108
M2-33*-60-1*-13	922837	172409	170405	
M2-33*-75-1*-13	922838	172411	170405	

# MODEL CODE BREAKDOWN



MODEL CODE	COVER PORT POSITION (VIEWED FROM COVER)
A	Opposite body port
B	90° c/ clockwise from body port
C	In line with body port
D	90° clockwise from body port

Litho in U. S. A.