

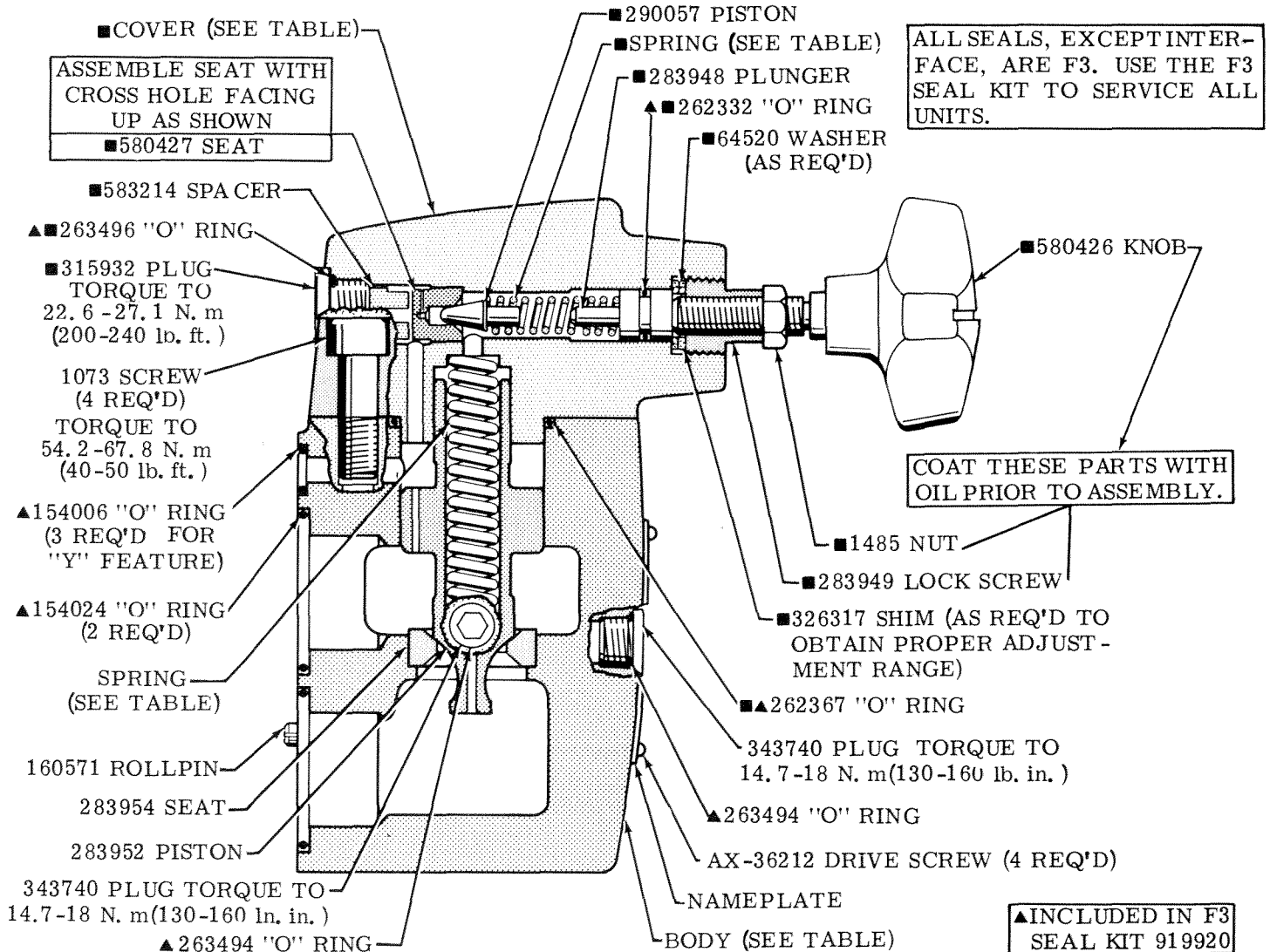
Service Parts Information



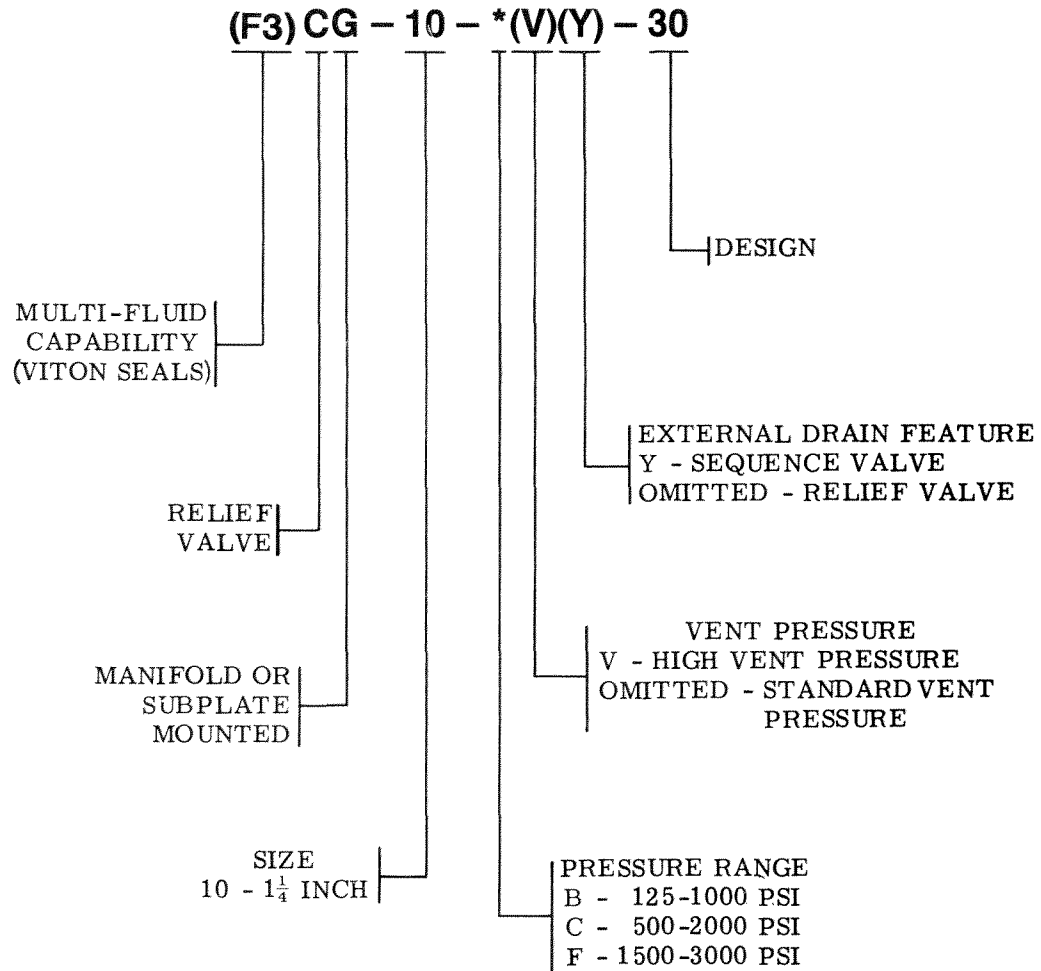
BALANCED PISTON TYPE SEQUENCE & RELIEF VALVES

CG-10-***-30

| MODEL | COVER | BODY | SPRING | SPRING | PRESSURE RANGE PSI | INCLUDED IN COVER S/A |
|--------------|--------|--------|--------|--------|--------------------|-----------------------|
| CG-10-B-30 | 581700 | 581703 | 291822 | 2280 | 125-1000 | 941286 |
| CG-10-BV-30 | | | 291821 | | | |
| CG-10-BVY-30 | | | 291822 | | | |
| CG-10-BY-30 | 590299 | 591450 | 291822 | 583937 | 500-2000 | — |
| CG-10-C-30 | 581700 | 581703 | 291821 | | | |
| CG-10-CV-30 | 590299 | 591450 | 291822 | | | |
| CG-10-CVY-30 | 581700 | 581703 | 291821 | 2281 | 1500-3000 | 941288 |
| CG-10-F-30 | | | 291822 | | | |
| CG-10-FV-30 | | | 291821 | | | |
| CG-10-FVY-30 | 590299 | 591450 | 291822 | — | — | — |
| CG-10-FY-30 | — | — | — | — | — | — |



MODEL CODE BREAKDOWN



For satisfactory service life of these components in industrial applications, use full flow filtration to provide fluid which meets ISO cleanliness code 18/15 or cleaner. Selections from Vickers OFP, OFR, and OFRS series are recommended.