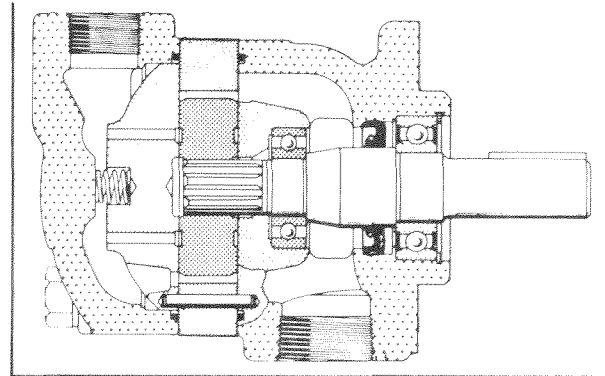


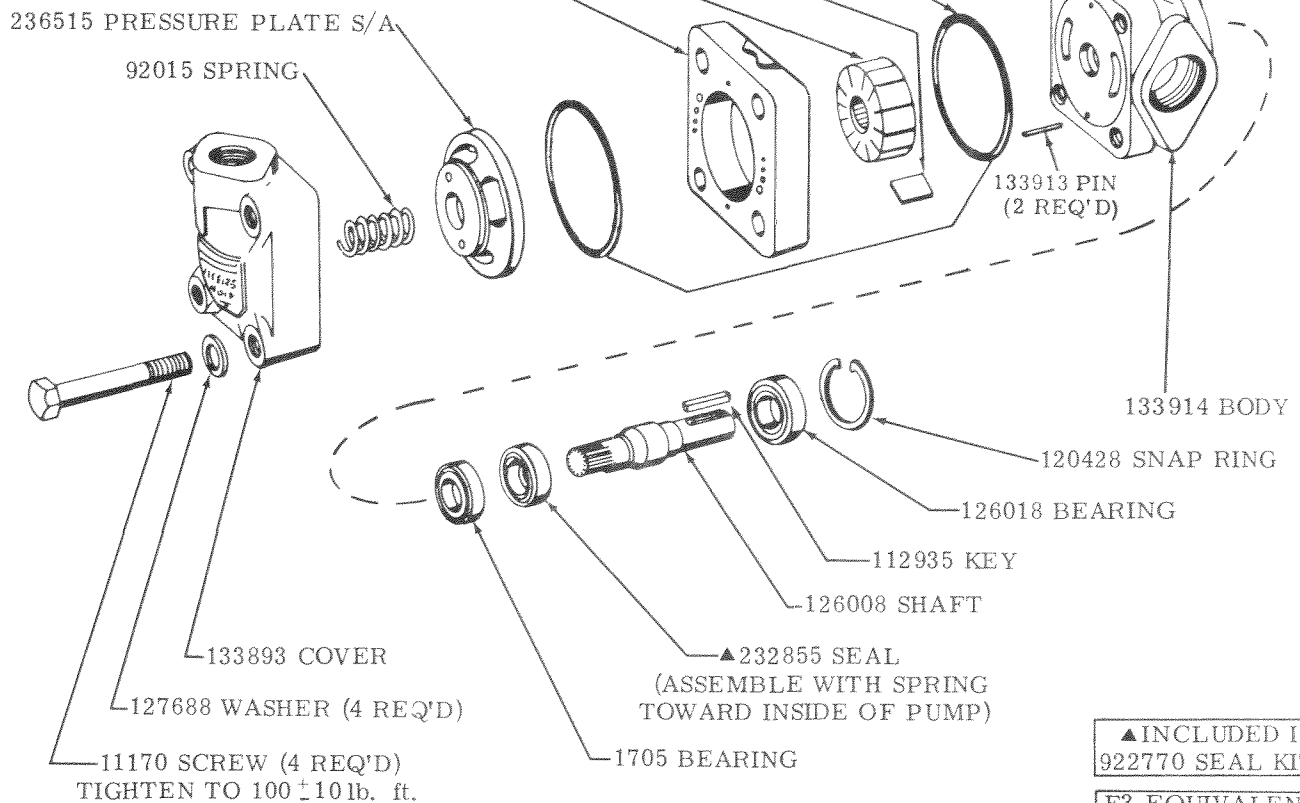
Service Parts
Information

VANE TYPE
SINGLE PUMPS

V330-S214

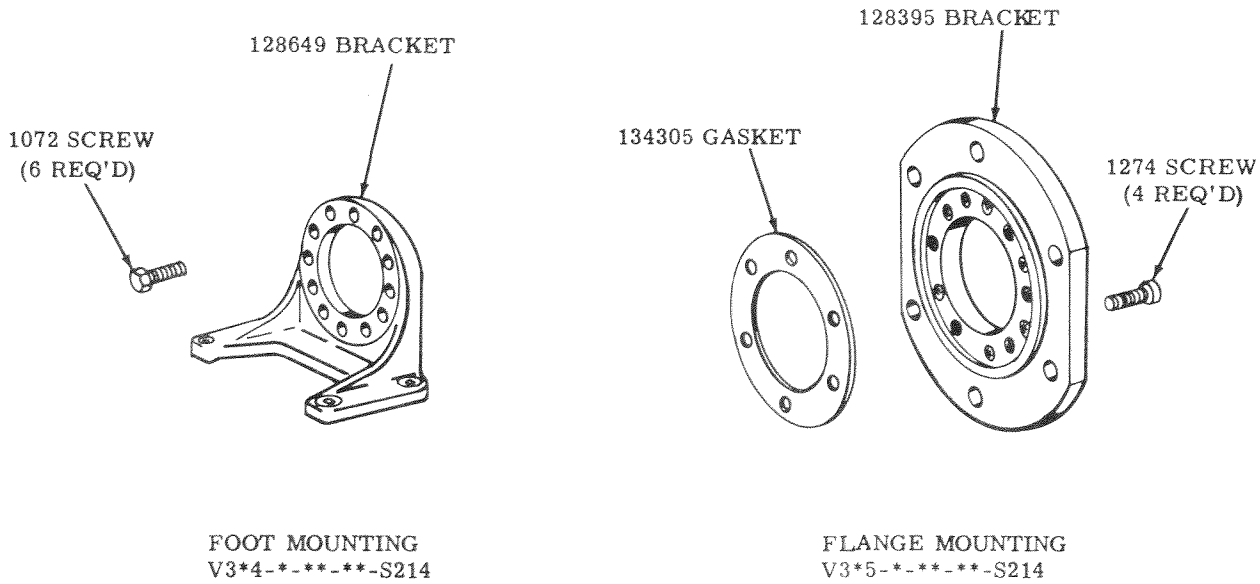


CAPACITY	RING	ROTOR	VANE KIT (12 VANES)	"O" RING (2 REQ'D)	CARTRIDGE KITS
	INCLUDED IN CARTRIDGE KIT				
V33*-15-1C-S214	126023	233603	912033	▲ 154098	919146
V33*-19-1C-S214	126024				919147
V33*-24-1C-S214	126025				919148

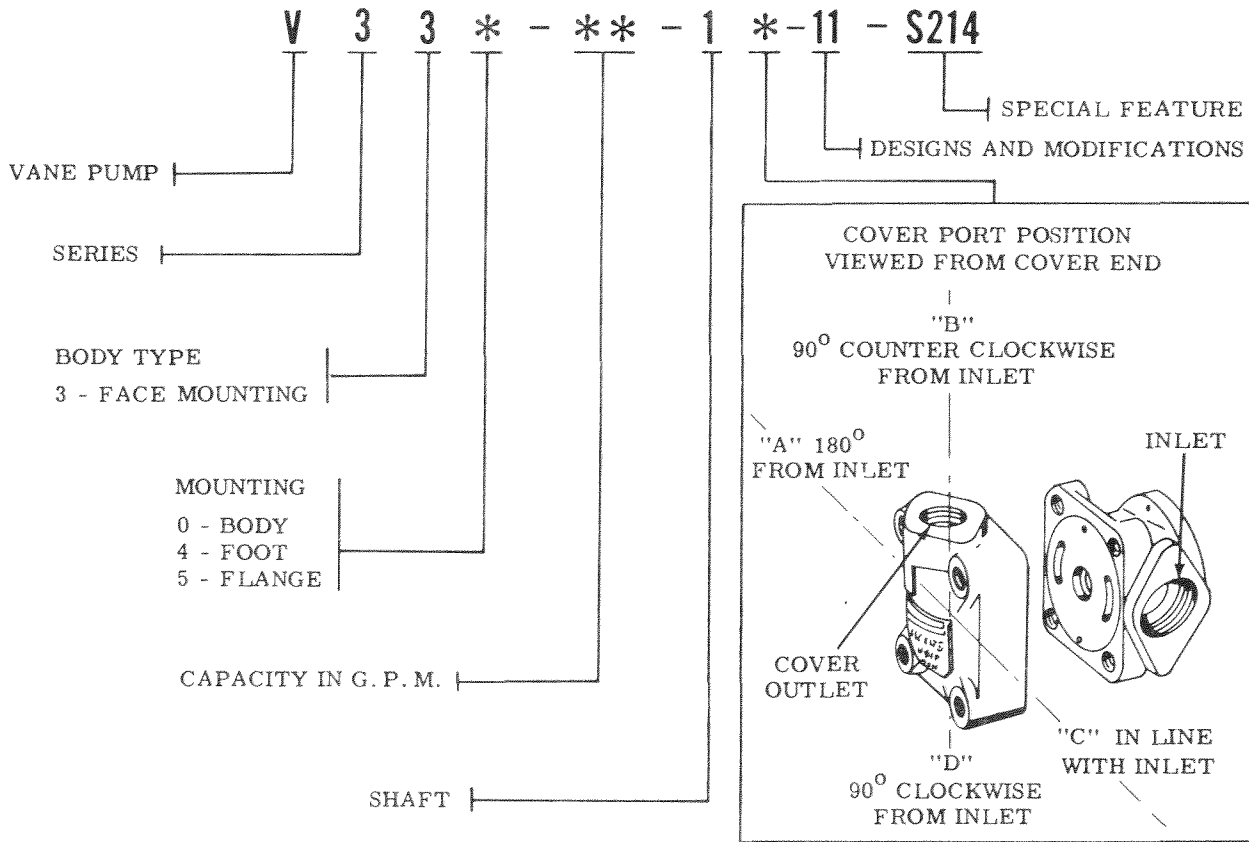


▲ INCLUDED IN
922770 SEAL KIT

F3 EQUIVALENT
SEAL KIT 919292



MODEL CODE BREAKDOWN



To insure sustained efficiency and maximum trouble-free life of this precision equipment, initial and continuous filtration of the fluid medium to 25 microns absolute or less is essential. (For information pertaining to Sperry Vickers economical 3 or 10 micron filters, see installation drawing 522140.)