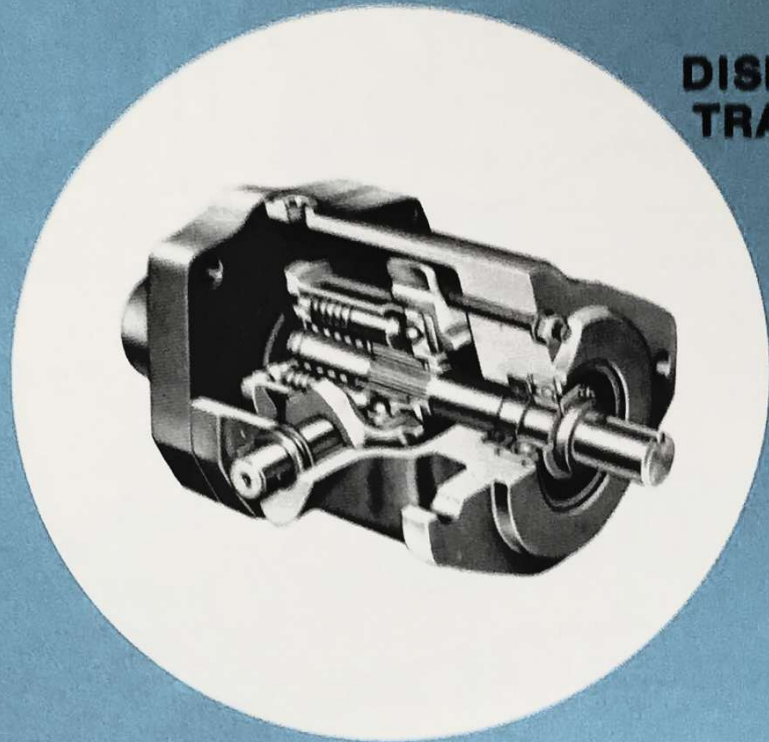


SPERRY  VICKERS

**VARIABLE
DISPLACEMENT
TRANSMISSION
MOTORS**



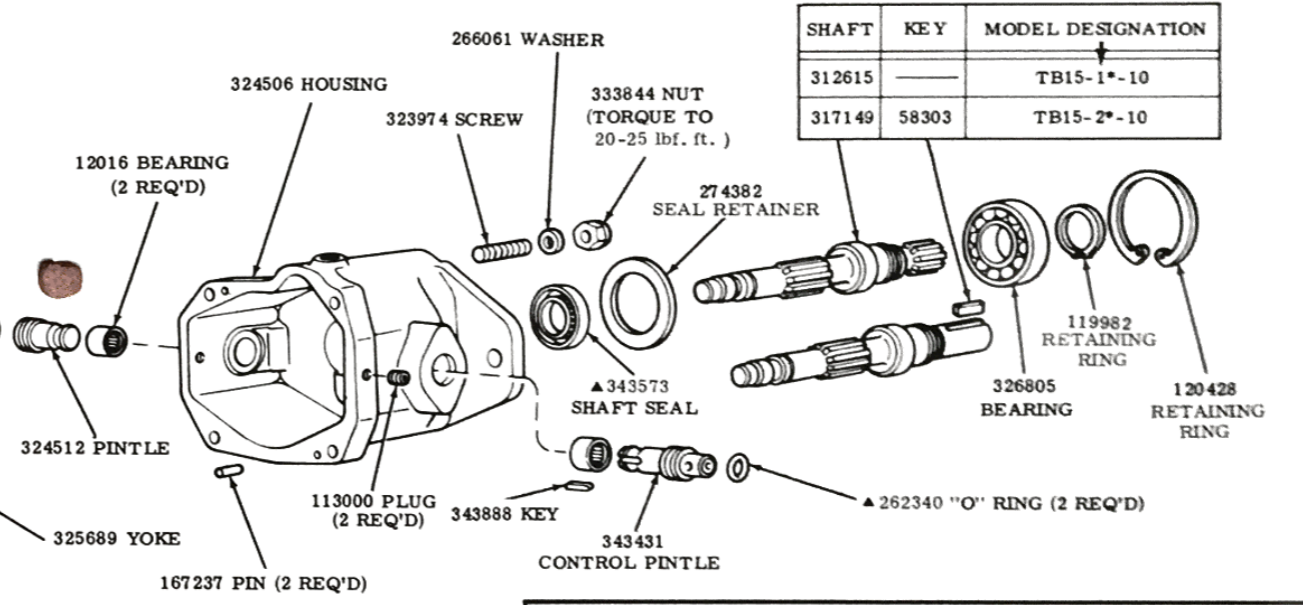
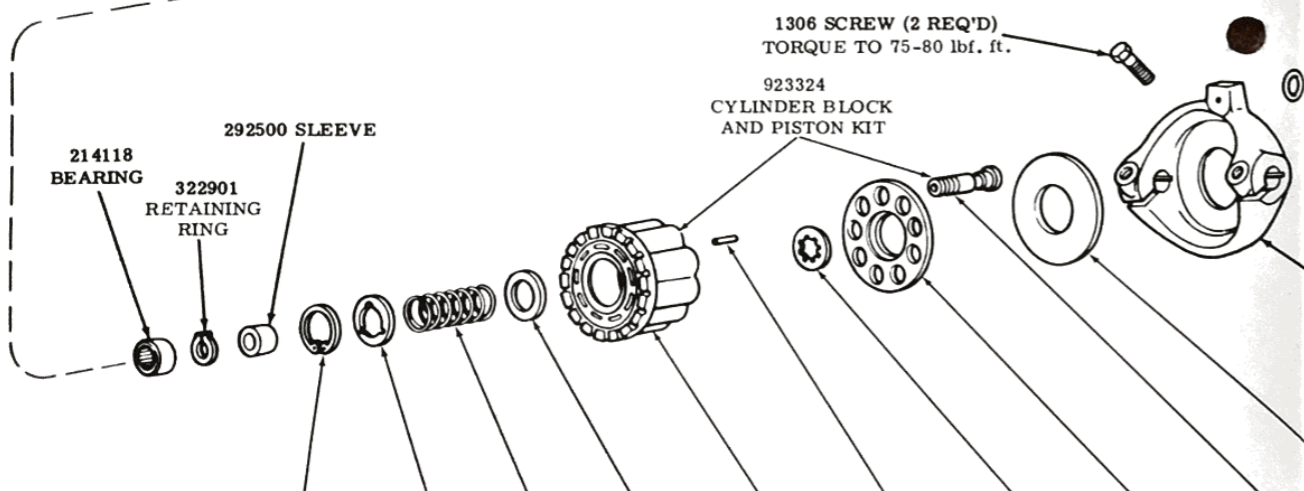
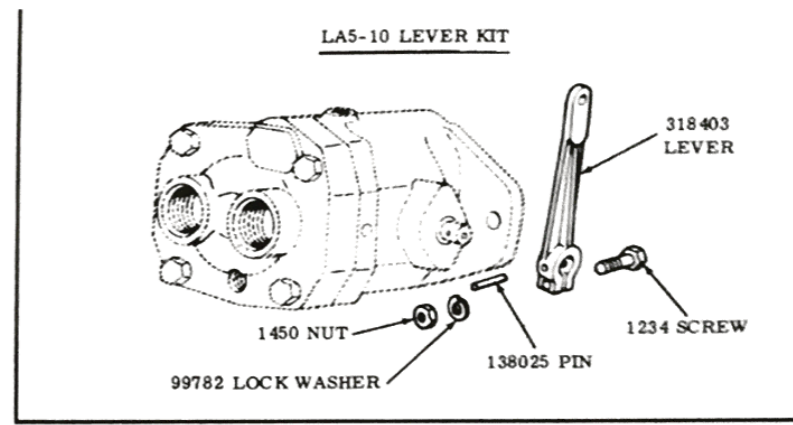
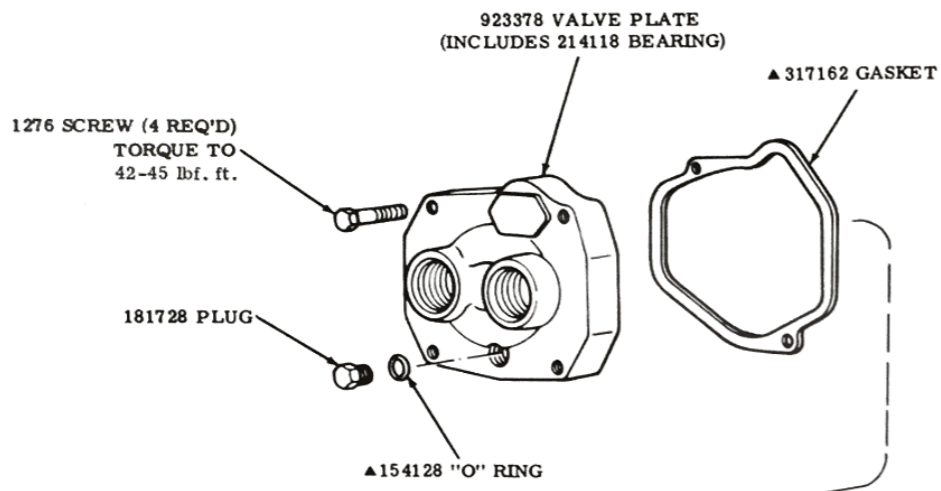
**SERVICE
PARTS
INFORMATION**

TB15 SERIES -10 DESIGN

SPERRY VICKERS
TROY, MI. 48064

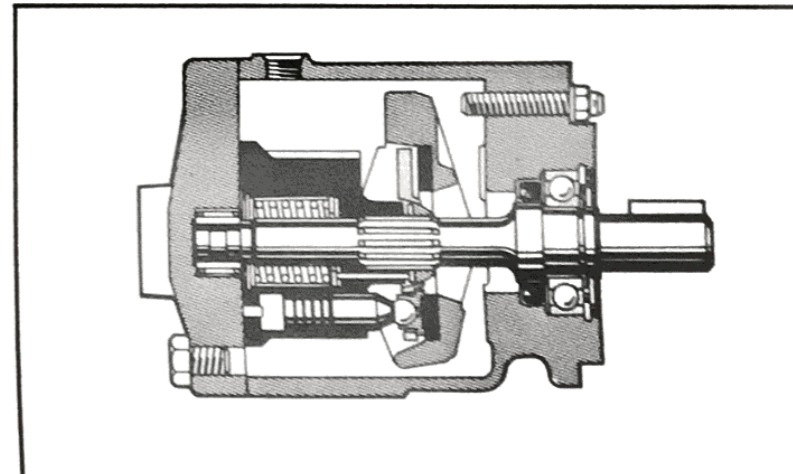
Revised 5-1-77

M-2802-S



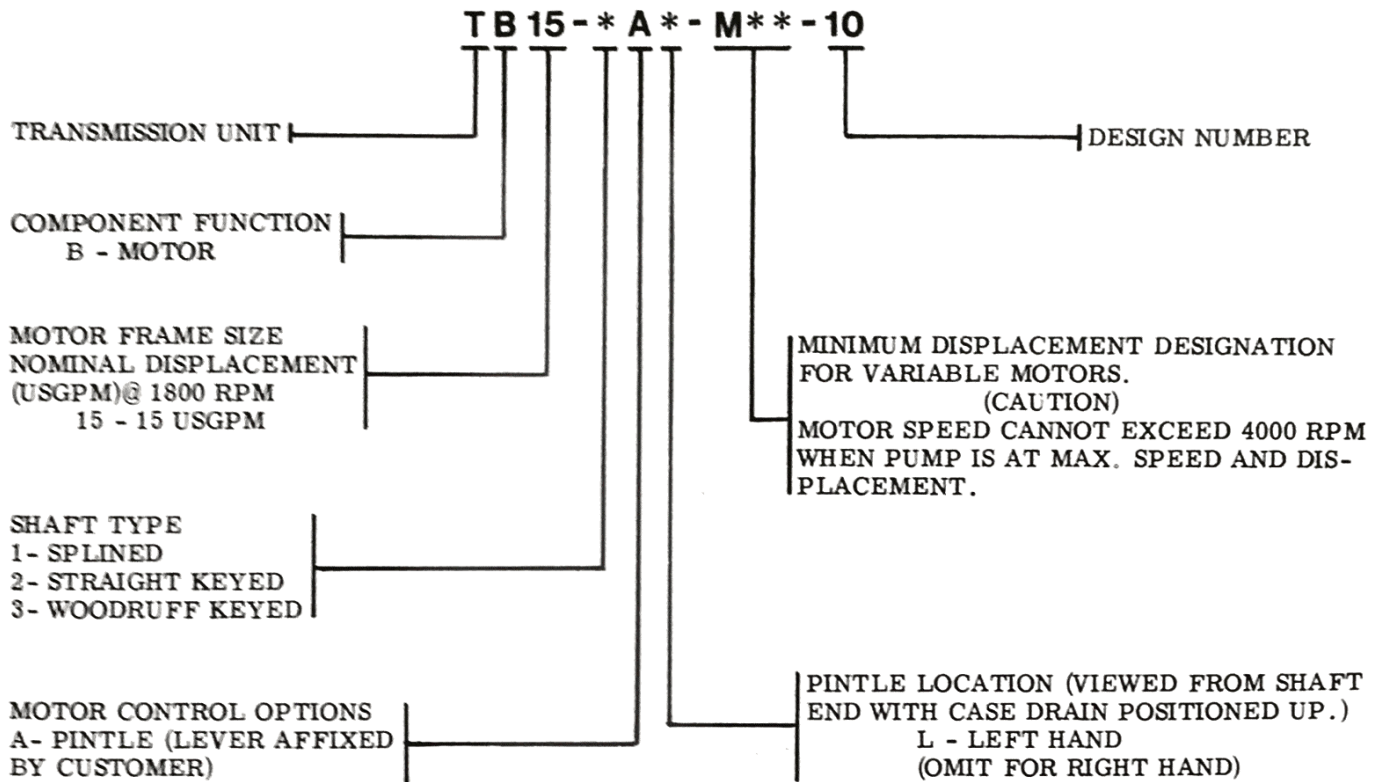
SHAFT	KEY	MODEL DESIGNATION
312615	—	TB15-1*-10
317149	58303	TB15-2*-10

MODEL DESIGNATION	RETAINING RING	WASHER	SPRING	THRUST WASHER	CYLINDER BLOCK	PINS (3 REQ'D)	SPHERICAL WASHER	SHOE PLATE	PISTON KIT (9 PISTONS)	SWASH PLATE	ROTATING GROUP KIT
	SERVICED IN ROTATING GROUP KIT										
TB15-**-10	93509	245223	247294	241954	326181	248811	423324	275961	923190	239077	922996



▲ - THESE PARTS ARE INCLUDED IN SEAL KIT 923530

MODEL CODE BREAKDOWN



To insure sustained efficiency and maximum trouble-free life of this precision equipment, initial and continuous filtration of the fluid medium to 25 microns absolute or less is essential. (For information pertaining to Sperry Vickers economical 3 or 10 micron filters, see installation drawing 522140.)

Litho in U. S. A.