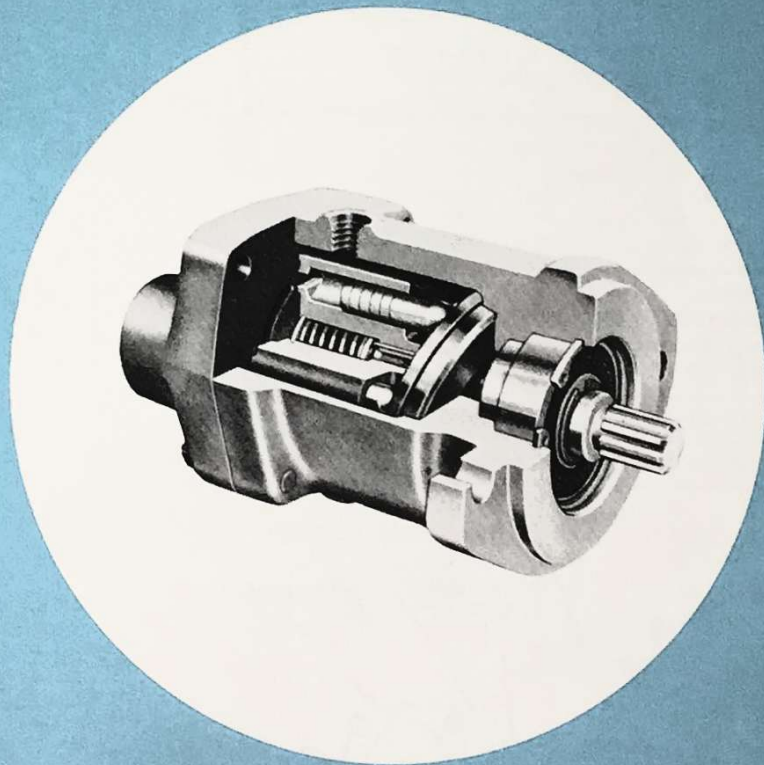


SPERRY  VICKERS



**FIXED
IN-LINE
PISTON
PUMPS**

**SERVICE
PARTS
INFORMATION**

**M-PFB10 AND M-PFB15
-30 DESIGN**

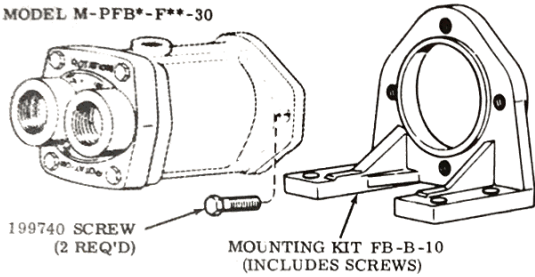
SPERRY VICKERS
TROY, MI. 48084

Revised 5-1-77

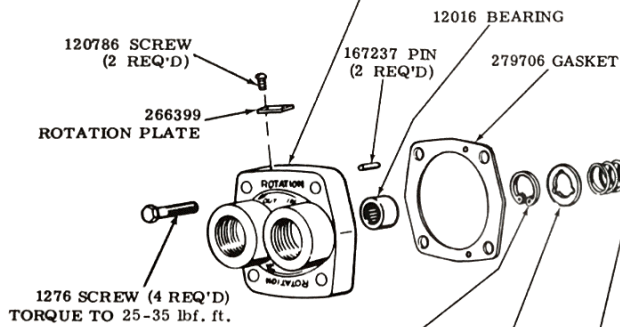
M-2202-S

FOOT MOUNTING BRACKET

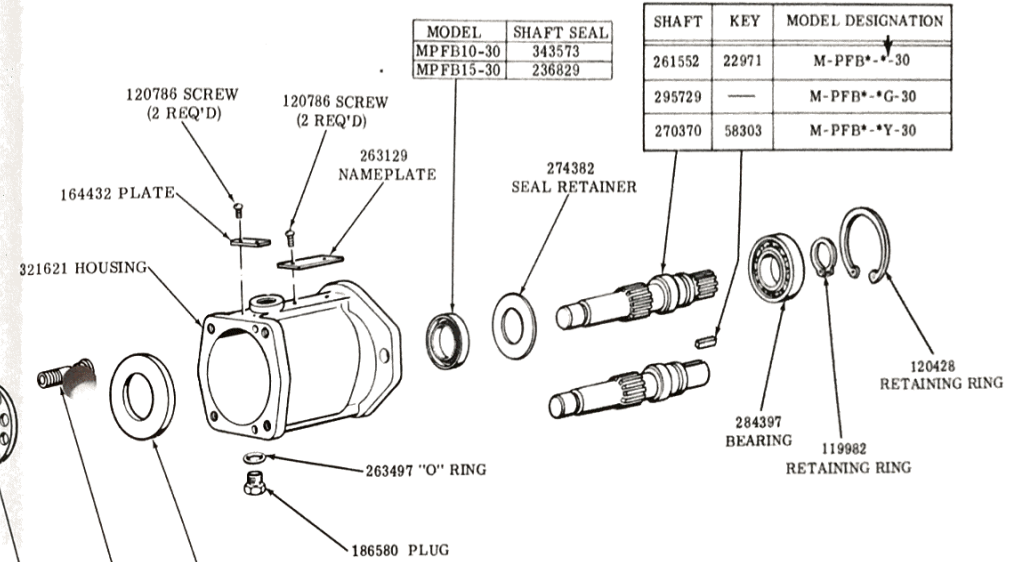
MODEL M-PFB*-F**-30



| MODEL DESIGNATION | VALVE PLATE SUB-ASSY. INCLUDES 12016 BEARING | VALVE PLATE |
|-------------------|--|-------------|
| M-PFB10-R*-30 | 942048 | — |
| M-PFB10-L*-30 | 942049 | — |
| M-PFB15-R*-30 | — | 318338 |

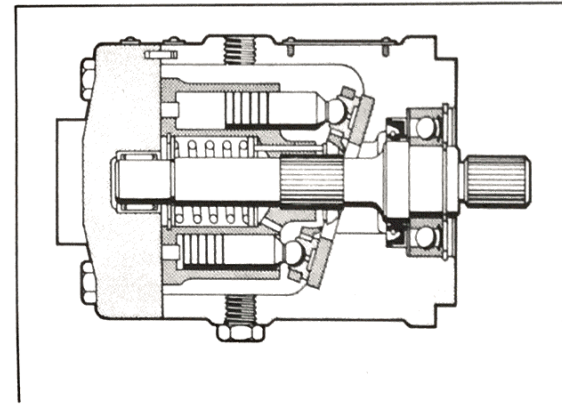


| MODEL DESIGNATION | RETAINING RING | LIFT LIMITER | SPRING | THRUST WASHER | SPRING GUIDE | CYLINDER BLOCK | PIN (3 REQ'D) | SPHERICAL WASHER | SHOE PLATE | PISTON KIT (9 PISTONS) | SWASH PLATE | ROTATING GROUP KIT |
|-------------------|--|--------------|--------|---------------|--------------|----------------|---------------|------------------|------------|------------------------|-------------|--------------------|
| | THESE PARTS ARE SERVICED IN ROTATING GROUP KIT | | | | | | | | | | | |
| M-PFB10-**-30 | 93509 | 245223 | 247294 | 241954 | — | 321703 | 248811 | 423324 | 275961 | 942047 | 239077 | 938272 |
| M-PFB15-**-30 | | | | — | 306868 | 260860 | | | | 941887 | | 923945 |



| MODEL | SHAFT SEAL |
|-----------|------------|
| MPFB10-30 | 343573 |
| MPFB15-30 | 236829 |

| SHAFT | KEY | MODEL DESIGNATION |
|--------|-------|-------------------|
| 261552 | 22971 | M-PFB*-**30 |
| 295729 | — | M-PFB*-*G-30 |
| 270370 | 58303 | M-PFB*-*Y-30 |

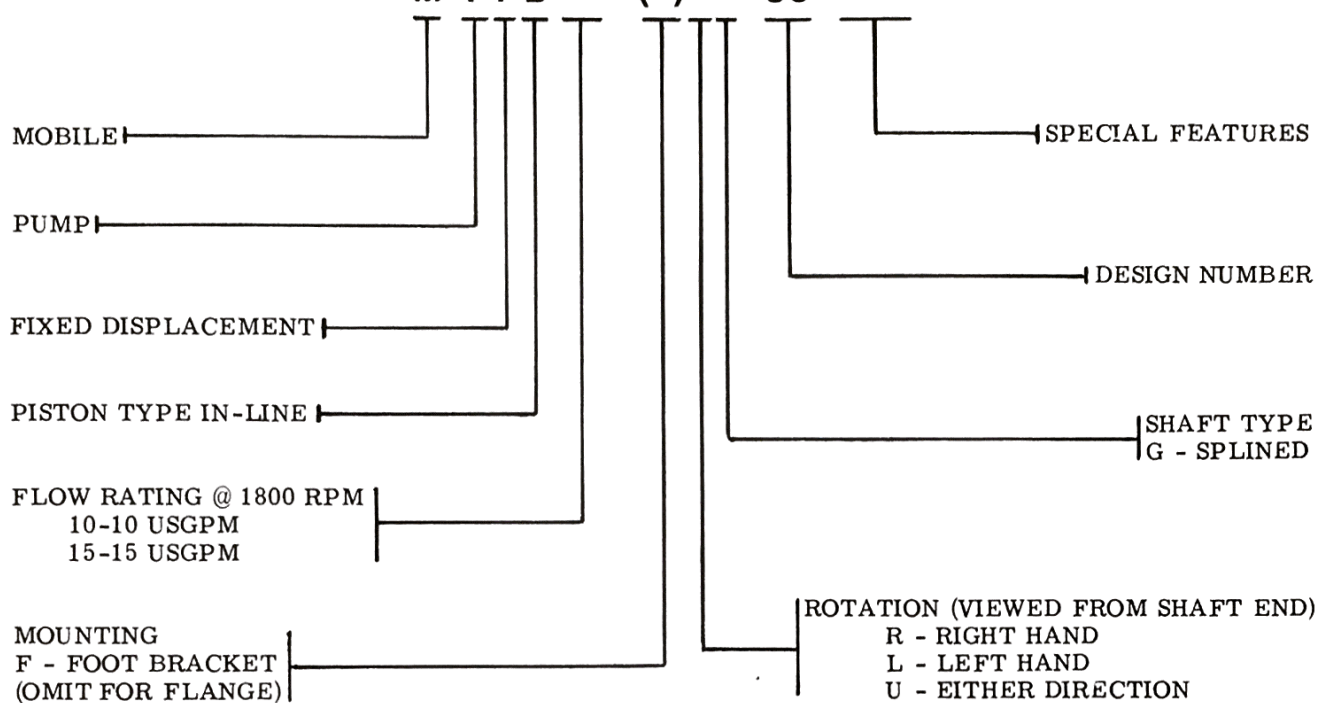


INCLUDE COMPLETE MODEL NUMBER ON ALL PARTS ORDERS

SEE SERVICE MANUAL M-2200-S FOR MAINTENANCE INFORMATION

MODEL CODE BREAKDOWN

M-PFB-(*)**-30-*****



To insure sustained efficiency and maximum trouble-free life of this precision equipment, initial and continuous filtration of the fluid medium to 25 microns absolute or less is essential. (For information pertaining to Sperry Vickers economical 3 or 10 micron filters, see installation drawing 522140.)