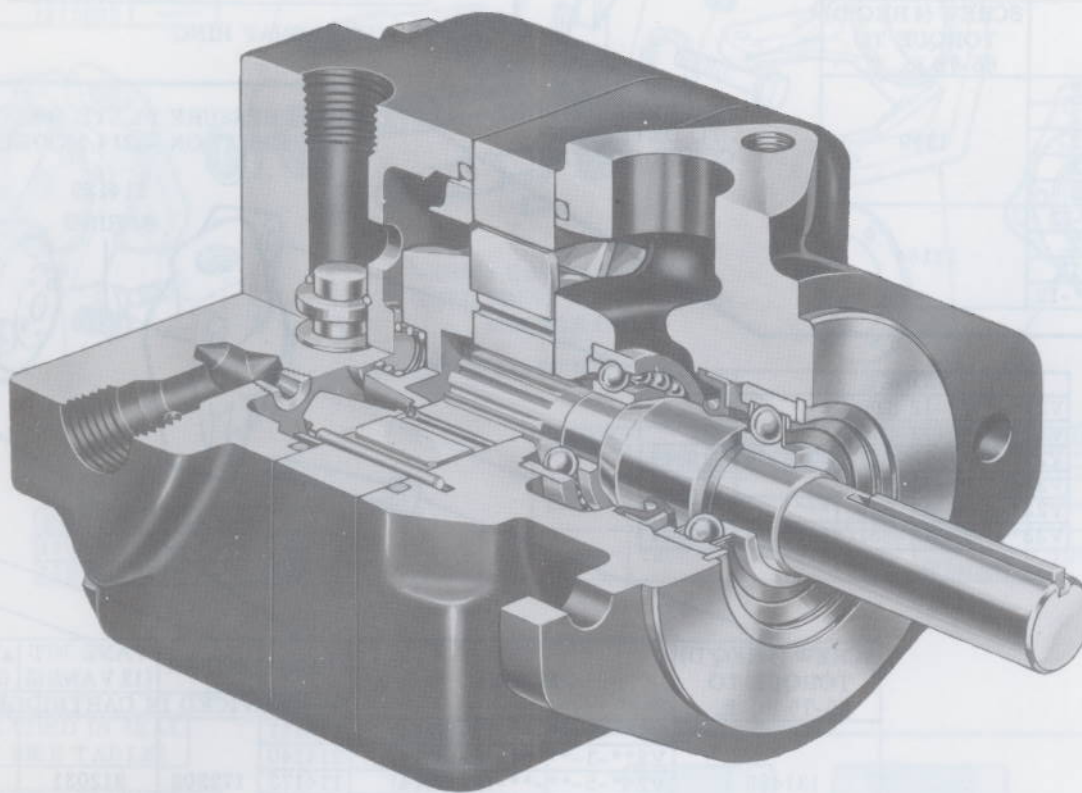


Service Parts Information

Vane Pumps

V21*-.*-**-**-12

V23*-.*-**-**-12



FLOW CONTROL COVER

155086 SPRING

7077 PLUG (2 REQ'D)

VALVE SUB-ASSY	PSI	MODEL	MODEL 'S' NO'S
232794	750	V2**-***-C*-12	138
232795	1000	V2**-***-D*-12	
232796	1250	V2**-***-E*-12	
232797	1500	V2**-***-F*-12	
232798	1750	V2**-***-G*-12	
232799	2000	V2**-***-H*-12	140

224489 COVER
NOTE: When replacing cover on pump, replace valve sub-assembly.

183584 SCREEN
113000 PLUG

ORIFICE PLUG	MODEL	RATE USGPM
167463	V2**-***-2-12	2
167464	V2**-***-4-12	4
167465	V2**-***-6-12	6
165359	V2**-***-7-12	7
167466	V2**-***-8-12	8

MODEL	SCREW (4 REQ'D) TORQUE TO 65-75 lb. ft.
V2**-2-***-12	1319
V2**-3-***-12	
V2**-5-***-12	
V2**-6-***-12	
V2**-8-***-12	
V2**-8W-***-12	11164
V2**-9-***-12	
V2**-11-***-12	
V2**-11W-***-12	

USE PRESSURE PORT TO DETERMINE COVER POSITION

292085 PRESSURE PLATE (USE PRESSURE PLATE 236217 ON -S214 MODELS ONLY)

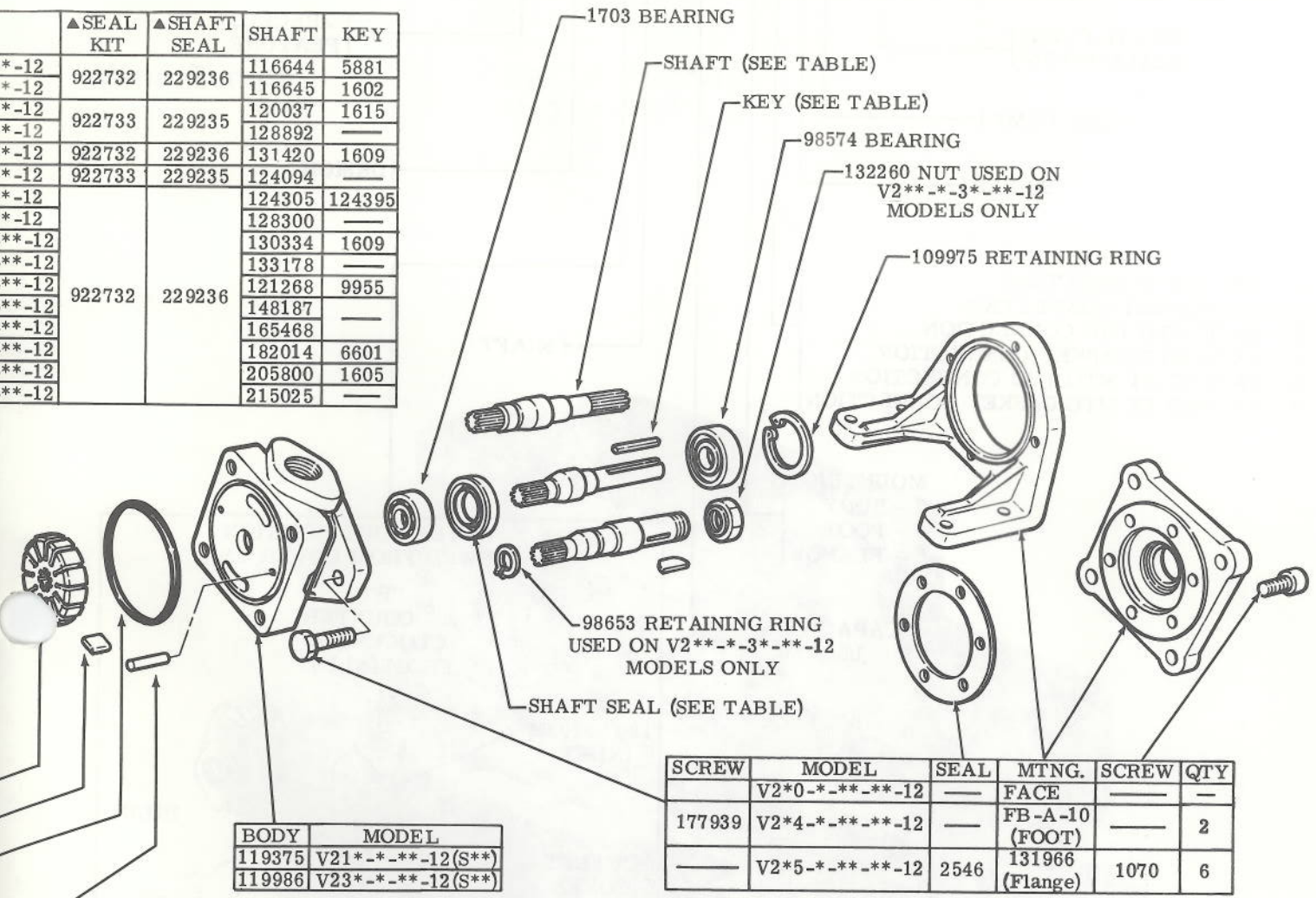
114139 SPRING

MODEL	COVER
V21*-***-12 STD	129343
V21*-***-12 -S49	
V21*-***-12 -S51/S63/S214	129344
V23*-***-12 STD	129343
V23*-***-12 -S49	
V23*-***-12 -S51/S63/S214	129344

SCREW (4 REQ'D) TORQUE TO 65-75 lb. ft.	MODEL	RING	ROTOR	VANE KIT (12 VANES)	▲"O"RING (2 REQ'D)	CARTRIDGE KIT	
		SERVICED IN CARTRIDGE KIT					
131485	V2**-2-***-12-(S214)	116141	172302	912031	154090	912063	
	V2**-3-***-12-(S214)	214140				922765	
	V2**-5-***-12-(S214)	114173				912064	
	V2**-6-***-12-(S214)	133177				912065	
	V2**-8-***-12	114154				912066	
131486	V2**-8W-***-12-(S214)	178183	172294	912032		922509	
	V2**-9-***-12-(S214)	193219				922537	
	V2**-11-***-12	114172				912067	
	V2**-11W-***-12-(S214)	218320				215043	922574
							922568

WARNING: USE THIS DRAWING FOR PARTS INFORMATION ONLY. SEE OVERHAUL MA

	▲SEAL KIT	▲SHAFT SEAL	SHAFT	KEY
*-12	922732	229236	116644	5881
*-12			116645	1602
*-12	922733	229235	120037	1615
*-12			128892	—
*-12	922732	229236	131420	1609
*-12	922733	229235	124094	—
*-12	922732	229236	124305	124395
*-12			128300	—
**-12			130334	1609
**-12			133178	—
**-12			121268	9955
**-12			148187	—
**-12			165468	—
**-12			182014	6601
**-12			205800	1605
**-12			215025	—



BODY	MODEL
119375	V21*-**-12(S**)
119986	V23*-**-12(S**)

SCREW	MODEL	SEAL	MTNG.	SCREW	QTY
	V2*0*-**-12	—	FACE	—	—
177939	V2*4*-**-12	—	FB-A-10 (FOOT)	—	2
—	V2*5*-**-12	2546	131966 (Flange)	1070	6

PIN
REQ'D)

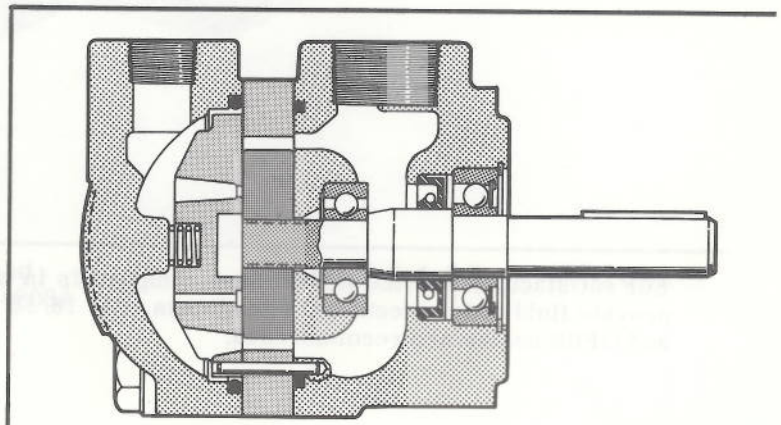
2161

2478

16662

▲INCLUDED IN SEAL KIT (SEE TABLE)

919291 IS F3 EQUIVALENT SEAL KIT FOR STD 922732



SEE M-2000-S FOR MAINTENANCE INFORMATION

MODEL CODE BREAKDOWN

(F3)-V2**-**-1*-12***

MULTI-FLUID SEALS (VITON)

VANE PUMP

SERIES

BODY TYPE

- 1 - STD THD CONNECTION
- 2 - STD GASKET CONNECTION
- 3 - FACE MTG THD CONNECTION
- 4 - FACE MTG GASKET CONNECTION
- 5 - TAPPED FT MTG THD CONNECTION
- 6 - TAPPED FT MTG GASKET CONNECTION

MOUNTING

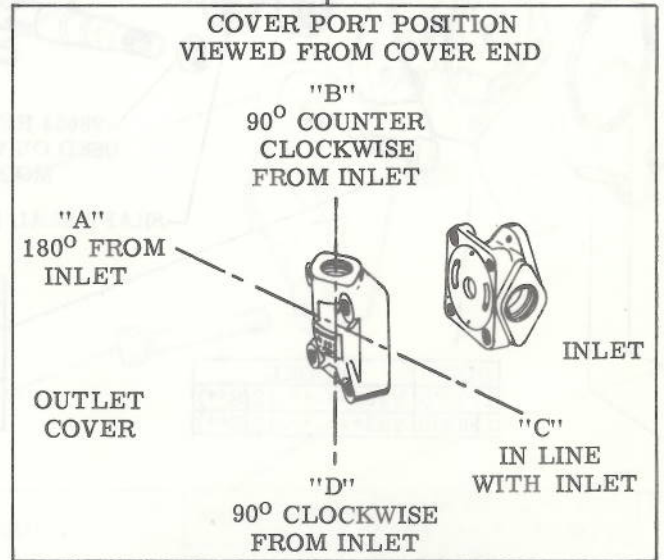
- 0 - BODY
- 4 - FOOT
- 5 - FLANGE

CAPACITY IN USGPM

SPECIAL FEATURE

DESIGN

SHAFT



For satisfactory service life of these components in industrial applications, use full flow filtration to provide fluid which meets ISO cleanliness code 18/15 or cleaner. Selections from Vickers OFP, OFR, and OFRS series are recommended.

Litho in U. S. A.