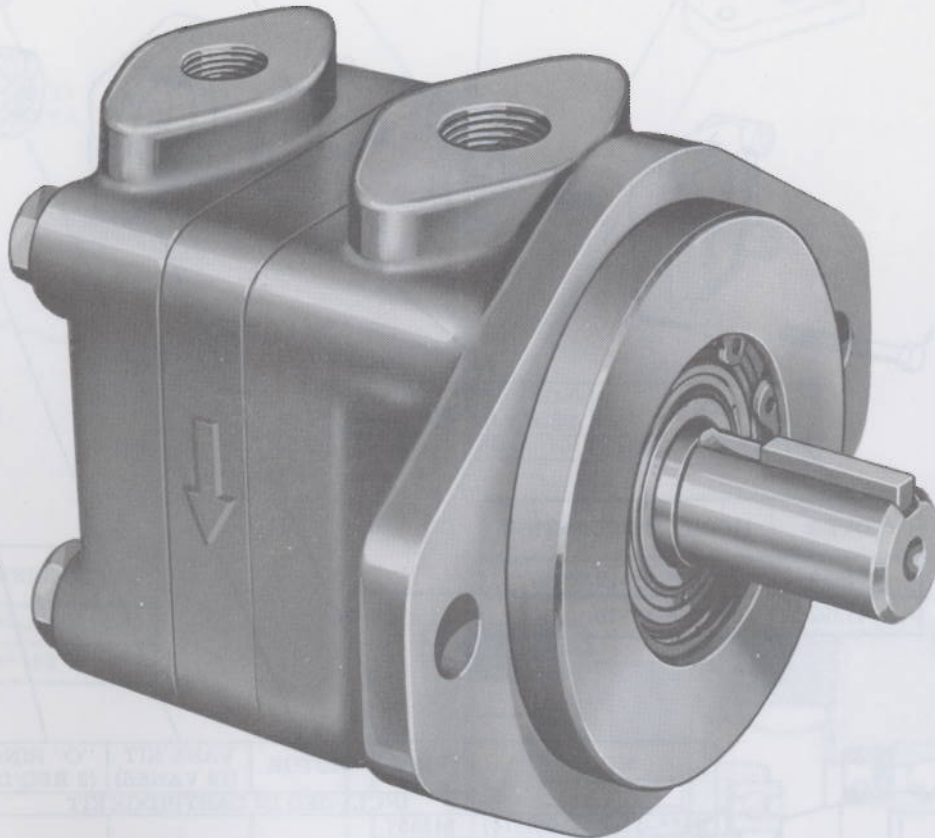




Service Parts Information

Single
Pumps

V100 Series



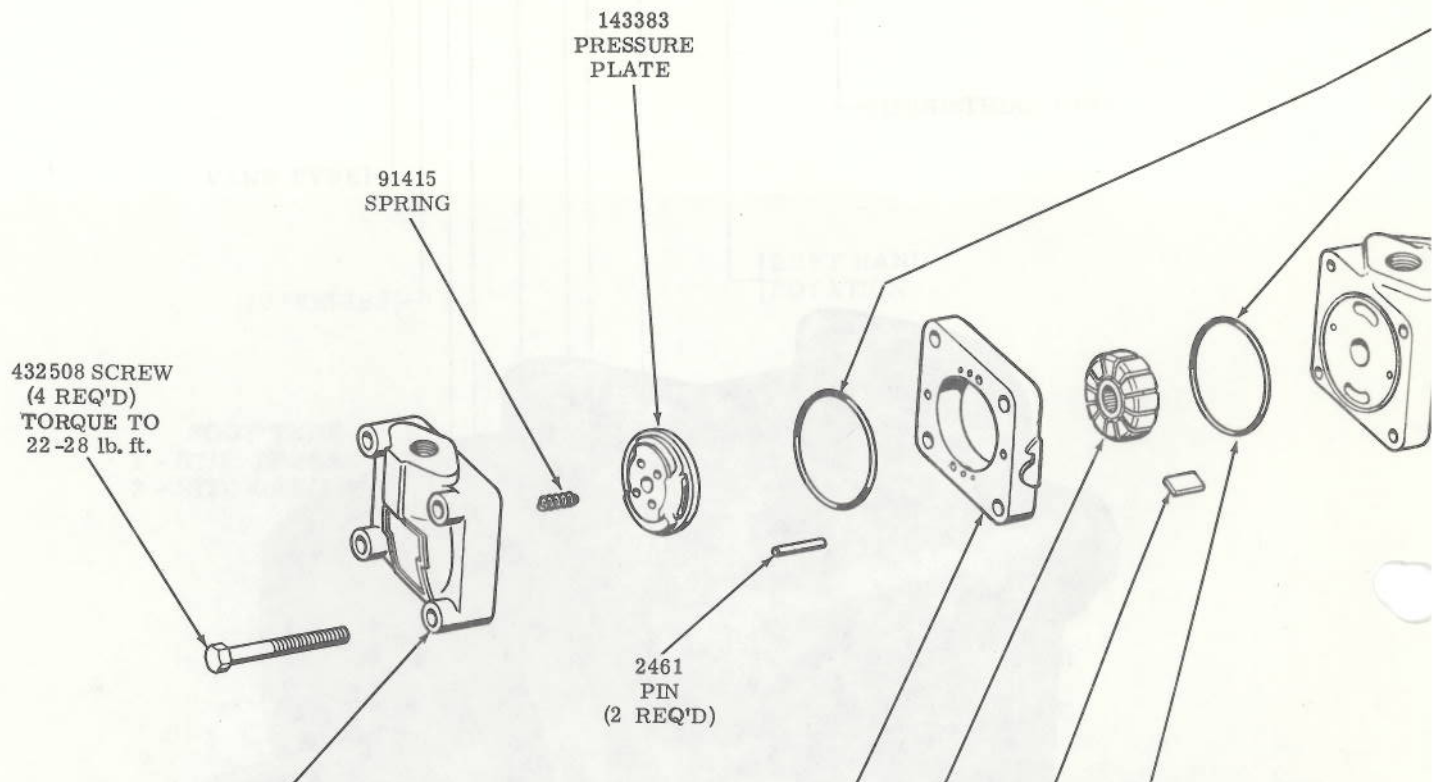
Vickers, Incorporated

1401 Crooks Road
Troy, Michigan 48084

Revised 10-1-85

M-2031-S

MODEL	
V1**-*- 1*-10(S214)	92
V1**-*- 2*-10	
V1**-*- 3*-10	
V1**-*-21*-10	92
V1**-*-34*-10	



COVER	MODEL DESIGNATION
143439	V11**-**-**-10(S214)
141392	V12**-**-**-10

MODEL	RING	ROTOR	VANE KIT (12 VANES)	"O" RING (2 REQ'D)	CARTRIDGE KIT
INCLUDED IN CARTRIDGE KIT					
V1**-15**-**-10(S214)	143557				912054
V1**-25**-**-10(S214)	143559				912056
V1**-30**-**-10	166815	141393	912008	143216	922508
V1**-35**-**-10(S214)	143121				912058
V1**-40**-**-10	141395				912059

INCLUDE COMPLETE MODEL NUMBER ON ALL PARTS ORDERS

SEAL KIT	SEAL	SHAFT	KEY	NUT
143216	229236	142916	142843	—
	229235	154806	1615	132260
	229236	141398	1602	—
		205750	1605	—

1701 BEARING

98574 BEARING

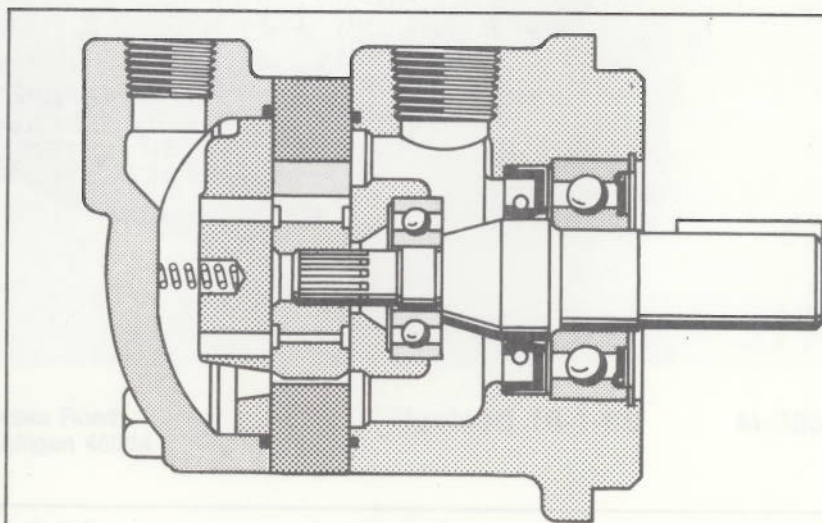
109975 RETAINING RING

141433 SPACER

BOLT (2 REQ'D)	MOUNTING BRACKET	MODEL
177939	FB-A-10	V1*4-*-* -10(S214)

BODY	MODEL DESIGNATION
143440	V11*-*-* -10(S214)
142917	V12*-*-* -10

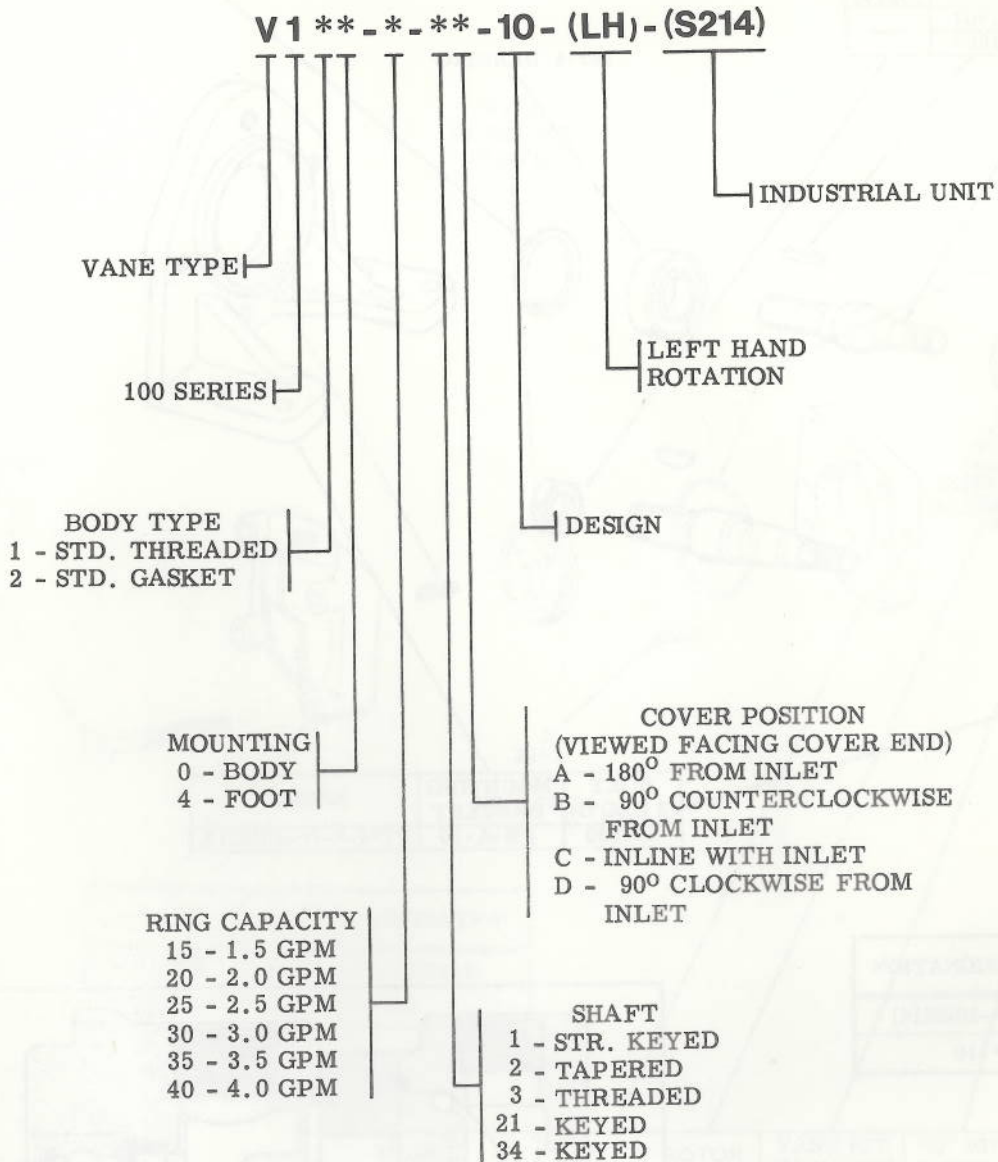
F3 EQUIVALENT SEAL KIT 919290



ASSEMBLY VIEW

SEE SERVICE MANUAL M-2000-S FOR MAINTENANCE INFORMATION

MODEL CODE BREAKDOWN



For satisfactory service life of these components, use full flow filtration to provide fluid which meets ISO cleanliness code 18/15 or cleaner. Selections from Vickers OFF, OFR, and OFRS series are recommended.