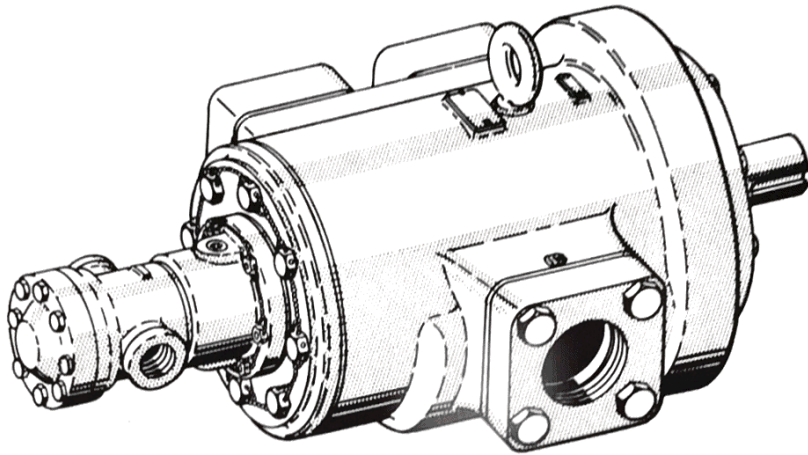


VICKERS®

Hydraulic

DOUBLE PUMPS



PARTS CATALOG for MODEL SERIES

V-2, V3

VF2, VF3

VG2, VG3

V*K2, V*K3

For Service and Overhaul
Information on these
Units, Refer to Manual
1425-S (formerly 494-S).

For Parts Price Informa-
tion Refer to Price Sheet
No. I-510.

HOW TO ORDER PARTS

DATA YOU SHOULD FURNISH ON YOUR PARTS ORDER:

1. MODEL NUMBER
2. PART NAME
3. PART NUMBER
4. QUANTITY DESIRED

HOW TO FIND THIS DATA:

1. MODEL NUMBER. Consult your records or the stamping on the unit.
2. PART NAME.
 - a. Determine the correct *tabulation page* by consulting the *master exploded view* on the reverse side of this page.
 - b. Locate your part in the view shown on this *tabulation page* and follow the arrow to the part name.
3. PART NUMBER. On the proper *tabulation page*, follow down the part name column until you reach the part number group. Select the part number on the line that carries a model designation coinciding with the applicable portion of your model number.
4. QUANTITY DESIRED. Base this on your specific requirements. The quantity data at the foot of the *tabulation page* is furnished as a guide.

Supersedes 1015-S

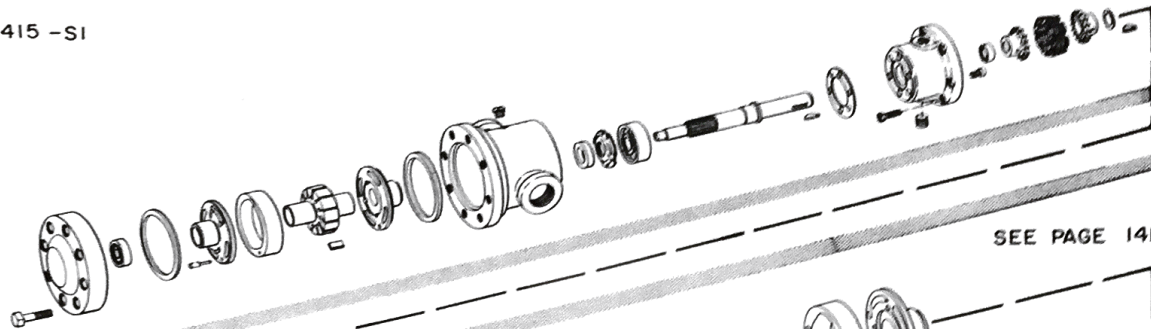
PRINTED IN U. S. A.

VICKERS INCORPORATED

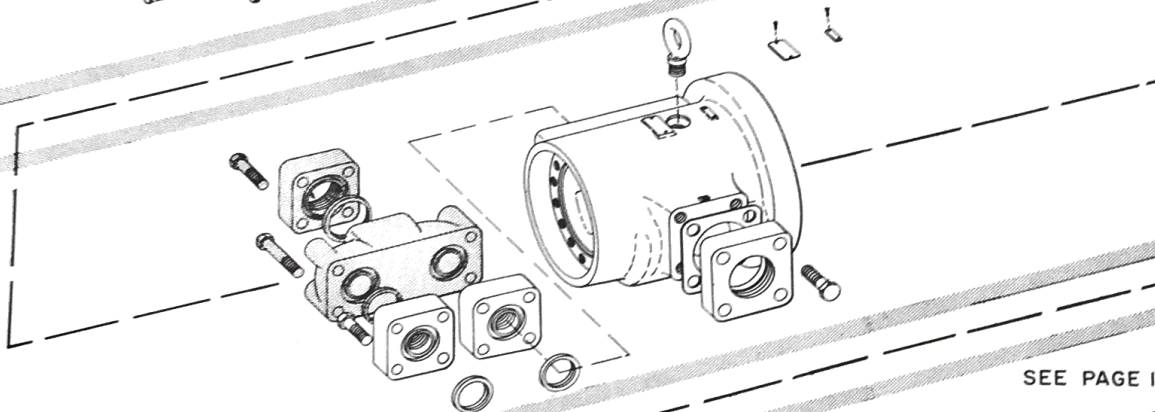
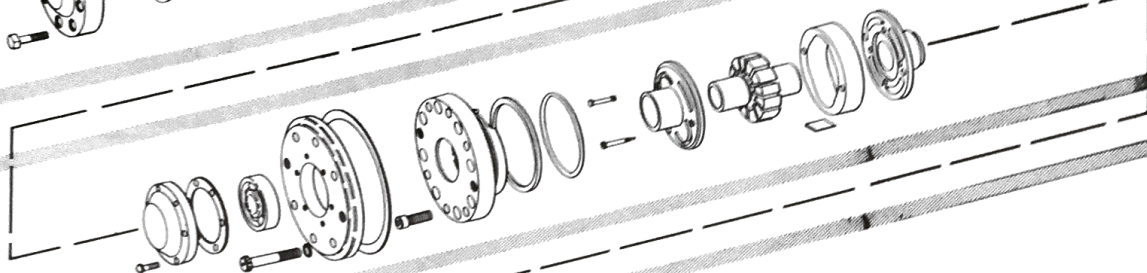
DIVISION OF SPERRY RAND CORPORATION
MACHINERY HYDRAULICS DIVISION
P. O. BOX 302 • TROY, MICHIGAN 48064

I-1415-S

SEE PAGE 1415-S1

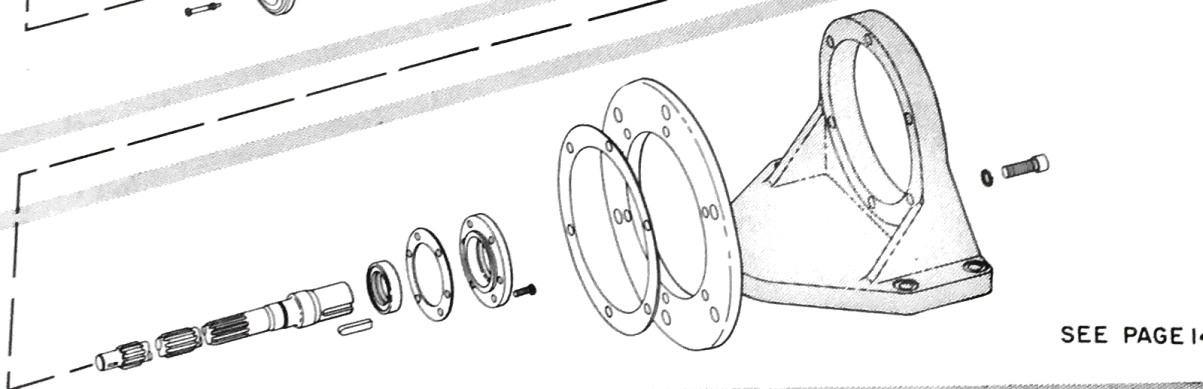
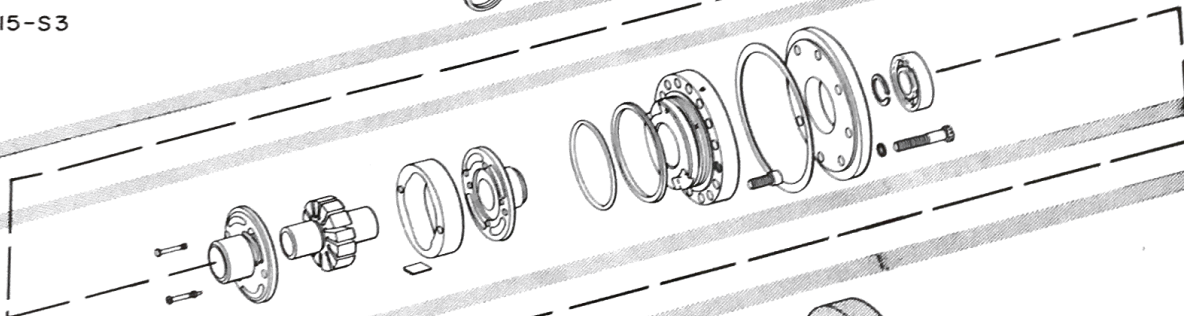


SEE PAGE 1415-S2

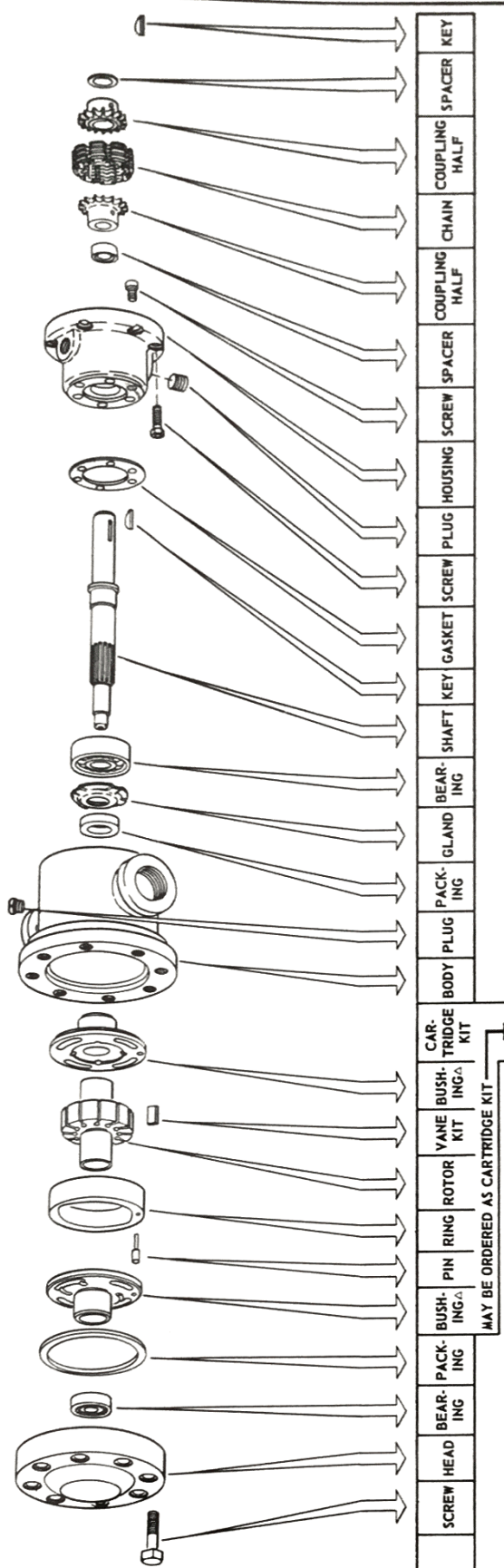


SEE PAGE 1415-S3

SEE PAGE 1415-S4



SEE PAGE 1415-S5

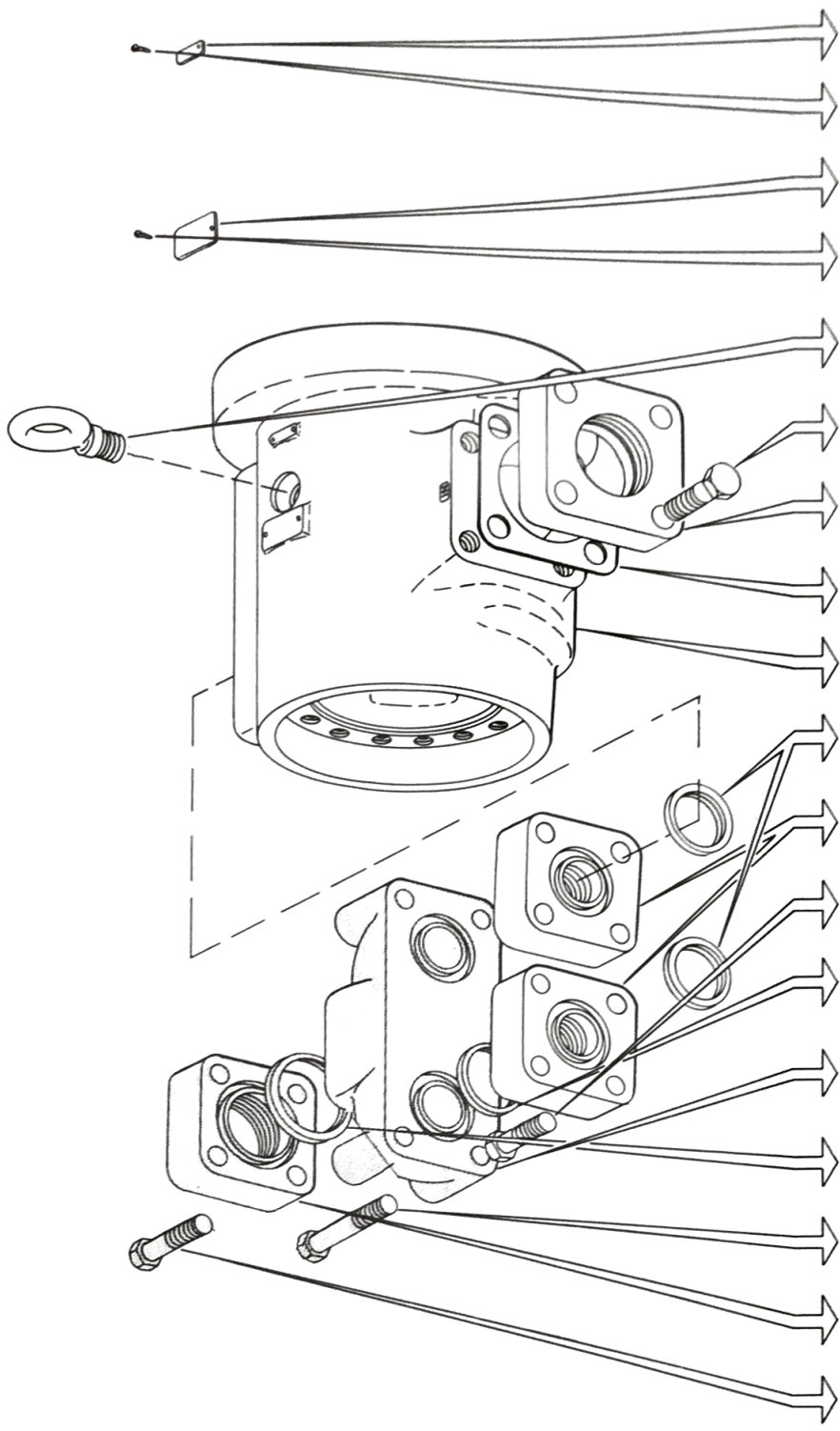


SEE COVER PAGE FOR ORDERING INSTRUCTIONS
 THE BLACK ARROWS BELOW INDICATE THE APPLICABLE PORTION OF YOUR MODEL COVERED BY THIS TABULATION

| MODEL NUMBERS | SCREW HEAD | BEARING | PACKING | BUSHING | PIN RING ROTOR | VANE BUSHING KIT | CARTRIDGE KIT | BODY PLUG | PACKING | GLAND | BEARING | SHAFT KEY GASKET SCREW PLUG HOUSING SCREW SPACER COUPLING HALF CHAIN COUPLING HALF SPACER KEY |
|------------------------|------------|---------|---------|---------|-------------------|------------------|---------------|----------------|---------|-------|------------|---|
| V# | 24064 | | | | 12220 6779 912026 | 912026 | 912047 | | | | | |
| VF# | 24064 | | | | 2299 6779 912026 | 912045 | | | | | | |
| VFK# | 24064 | | | | 40151 6779 912026 | 2015 | 912046 | | | | | |
| VG# | 24064 | 1700 | 2021 | 2016 | 2011 6779 912026 | | 912042 | 2004 7074 2019 | 2017 | 1704 | 29257 1609 | 117774 117769 117772 127619 1609 |
| VGK# | 24064 | | | | 2013 6779 912026 | | 912043 | | | | | |
| | 21608 | | | | 2014 27203 912027 | | 912044 | | | | | |
| QUANTITY PER ASSEMBLY | 8 | 1 | 1 | 1 | 1 | 1 | 1 | 1 | 1 | 1 | 1 | 1 |
| QUAN. PER 10 OVERHAULS | 32 | 0 | 3 | 10 | 5 | 5 | 5 | 0 | 1 | 10 | 2 | 24 |
| USAGE CODE | B | D | B | A | B | B | B | D | C | A | B | C |

▲ BUSHINGS ARE SHOWN ASSEMBLED FOR RIGHT-HAND SHAFT ROTATION (CLOCKWISE VIEWED FROM SHAFT END OF PUMP). IN PUMPS ASSEMBLED FOR LEFT-HAND ROTATION (IDENTIFIED BY SUFFIX LETTERS "LH" IN MODEL NUMBER), THE POSITIONS OF THE TWO BUSHINGS ARE INTERCHANGED. SEE MANUAL 1425-5.

USAGE CODE - A - FAST USAGE C - FAIR USAGE
 B - MEDIUM USAGE D - SLOW USAGE



SEE COVER PAGE
FOR ORDERING
INSTRUCTIONS

THE BLACK ARROWS
BELOW INDICATE
THE APPLICABLE
PORTION OF YOUR
MODEL COVERED BY
THIS TABULATION

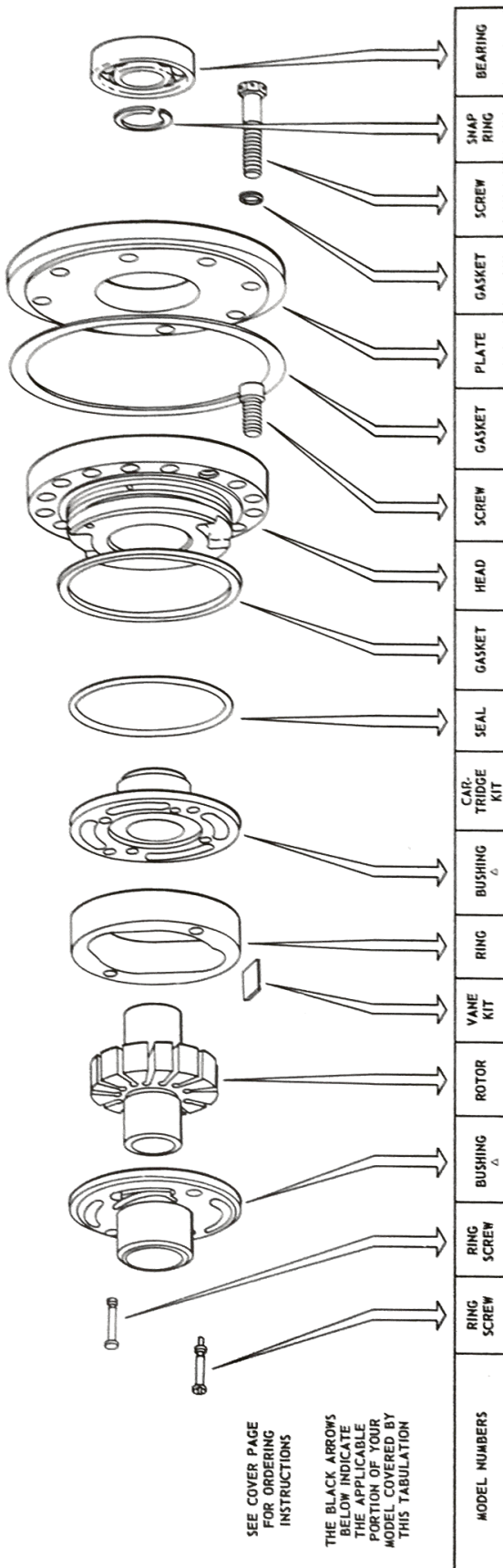
| MODEL NUMBERS | SCREW | OUTLET FLANGE | SCREW | SEAL | OUTLET MANIFOLD | SEAL | OUTLET FLANGE | SEAL | OUTLET FLANGE | SCREW | SEAL | OUTLET FLANGE | SCREW | INLET FLANGE | SCREW | EYEBOLT | SCREW | PLATE | PLATE |
|---------------|-------|---------------|-------|------|-----------------|------|---------------|------|---------------|-------|------|---------------|-------|--------------|-------|---------|-------|-------|-------|
|---------------|-------|---------------|-------|------|-----------------|------|---------------|------|---------------|-------|------|---------------|-------|--------------|-------|---------|-------|-------|-------|

| | | | | | | | | | | | | | | | | | | | | |
|---------------|-------|-------|-------|-----|------|-------|-------|-------|-----|-------|-----|-----|-----|-------|------|-------|----------|-------|----------|-------|
| * - - - - - S | --- | --- | --- | --- | --- | --- | 55693 | 42340 | --- | 11174 | --- | --- | --- | 55695 | 1394 | 42759 | 3X-38212 | 17260 | 3X-38212 | 23746 |
| * - - - - - M | 11175 | 56478 | 11177 | --- | 5724 | 42340 | --- | --- | --- | --- | --- | --- | --- | --- | --- | --- | --- | --- | --- | --- |

| | | | | | | | | | | | | | | | | | | | | |
|---------------|-------|-------|-------|-----|------|-------|-------|-------|-----|-------|-----|-----|-----|-------|------|-------|----------|-------|----------|-------|
| * - - - - - S | --- | --- | --- | --- | --- | --- | 55693 | 42340 | --- | 11174 | --- | --- | --- | 55695 | 1394 | 42759 | 3X-38212 | 17260 | 3X-38212 | 23746 |
| * - - - - - M | 11175 | 56478 | 11177 | --- | 5724 | 42340 | --- | --- | --- | --- | --- | --- | --- | --- | --- | --- | --- | --- | --- | --- |

| QUANTITY PER ASSEMBLY | 4 | 1 | 4 | 1 | 1 | 2 | 8 | 2 | 2 | 1 | 1 | 1 | 4 | 1 | 1 | 2 | 1 | 2 | 1 | 1 |
|------------------------|----|---|----|----|---|----|----|---|----|---|----|---|----|---|---|---|---|---|---|---|
| QUAN. PER 10 OVERHAULS | 16 | 0 | 16 | 12 | 0 | 24 | 32 | 0 | 24 | 0 | 12 | 0 | 16 | 1 | 0 | 0 | 0 | 0 | 0 | 0 |
| USAGE CODE | B | D | B | A | D | A | B | D | A | D | A | D | B | C | D | D | D | D | D | D |

USAGE CODE = A - FAST USAGE C - FAIR USAGE
B - MEDIUM USAGE D - SLOW USAGE



SEE COVER PAGE FOR ORDERING INSTRUCTIONS
THE BLACK ARROWS BELOW INDICATE THE APPLICABLE PORTION OF YOUR MODEL COVERED BY THIS TABULATION

MAY BE ORDERED AS CARTRIDGE KIT

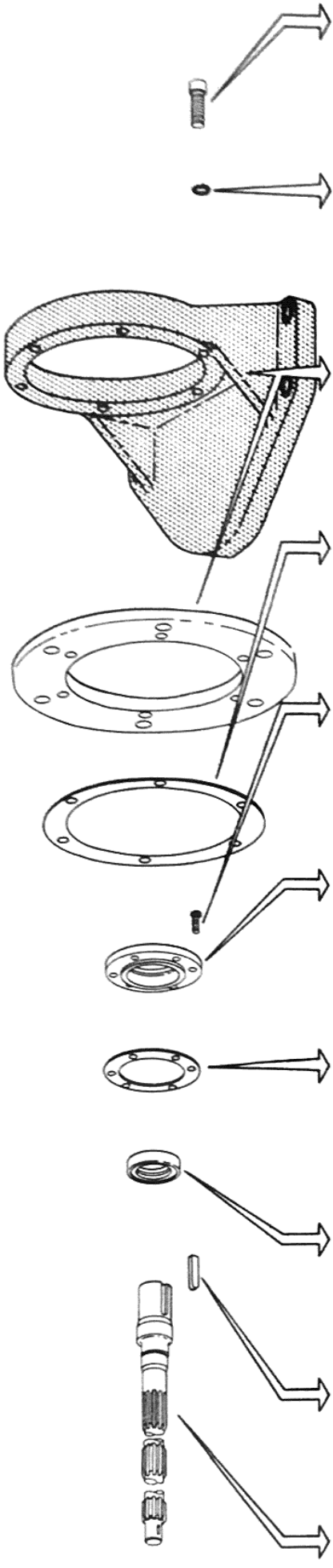
| MODEL NUMBERS | RING SCREW | RING SCREW | BUSHING | ROTOR | VANE KIT | RING | BUSHING | CARTRIDGE KIT | SEAL | GASKET | HEAD | SCREW | GASKET | PLATE | GASKET | SCREW | SHAP RING | BEARING |
|------------------------|------------|------------|---------|-------|----------|-------|---------|---------------|--------|--------|-------|-------|--------|-------|--------|-------|-----------|---------|
| * - - - 40 - * | 6050 | 6051 | 6044 | 6045 | 912025 | 60286 | 6043 | 912172 | 154058 | 33774 | 77531 | 1153 | 55703 | 55645 | 34999 | 56016 | 33771 | 49759 |
| * - - - 48 - * | | | | | 19900 | 19900 | | 912171 | | | | | | | | | | |
| * - - - 60 - * | | | | | 6046 | 6046 | | 912170 | | | | | | | | | | |
| * - - - 40 - * | 6050 | 6051 | 6044 | 6045 | 912025 | 60286 | 6043 | 912172 | 154058 | 33774 | 77531 | 1153 | 55703 | 55645 | 34999 | 56016 | 33771 | 49759 |
| * - - - 48 - * | | | | | 19900 | 19900 | | 912171 | | | | | | | | | | |
| * - - - 60 - * | | | | | 6046 | 6046 | | 912170 | | | | | | | | | | |
| QUANTITY PER ASSEMBLY | 1 | 1 | 1 | 1 | 1 | 1 | 1 | 1 | 1 | 1 | 1 | 1 | 1 | 1 | 1 | 1 | 1 | 1 |
| QUAN. PER 10 OVERHAULS | 4 | 4 | 5 | 5 | 5 | 5 | 5 | 5 | 12 | 12 | 0 | 32 | 12 | 0 | 96 | 32 | 4 | 3 |
| USAGE CODE | B | B | B | B | B | B | B | B | A | A | D | B | A | D | A | B | B | B |

▲ BUSHINGS ARE SHOWN ASSEMBLED FOR RIGHT-HAND SHAFT ROTATION (CLOCKWISE VIEWED FROM SHAFT END OF PUMP). IN PUMPS ASSEMBLED FOR LEFT-HAND ROTATION (IDENTIFIED BY SUFFIX LETTERS "LH" IN MODEL NUMBER), THE POSITIONS OF THE TWO BUSHINGS ARE INTERCHANGED. SEE MANUAL 1425-5.

▲ FAST USAGE C - FAIR USAGE
B - MEDIUM USAGE D - SLOW USAGE

SEE COVER PAGE
FOR ORDERING
INSTRUCTIONS

THE BLACK ARROWS
BELOW INDICATE
THE APPLICABLE
PORTION OF YOUR
MODEL COVERED BY
THIS TABULATION



| MODEL NUMBERS | SHAFT | KEY | OIL SEAL | GASKET | RETAINER | SCREW | GASKET | MOUNTING | WASHER | SCREW |
|---------------|-------|-----|----------|--------|----------|-------|--------|----------|--------|-------|
|---------------|-------|-----|----------|--------|----------|-------|--------|----------|--------|-------|

| | | | | | | | | | | |
|-------------------------|-------|------|-------|-------|-------|-------|-------|-------|----------|------|
| V2 - * - * - * - * - * | | | | | | | | | | |
| V3 - * - * - * - * - * | | | | | | | | | | |
| VF2 - * - * - * - * - * | | | | | | 52788 | | 65141 | | 1174 |
| VF3 - * - * - * - * - * | | | | | 55670 | | | 65141 | | 1174 |
| VG2 - * - * - * - * - * | 70604 | 6053 | 56013 | 55704 | | | 21069 | 65068 | 9X-15202 | 1174 |
| VG3 - * - * - * - * - * | | | | | | | 21069 | 65068 | 9X-15202 | 1174 |

| | | | | | | | | | | |
|--------------------------|-------|-------|-------|-------|-------|-------|-------|-------|----------|------|
| VK2 - * - * - * - * - * | | | | | | | | | | |
| VK3 - * - * - * - * - * | | | | | | | | | | |
| VFK2 - * - * - * - * - * | | | | | | 52788 | | 65141 | | 1174 |
| VFK3 - * - * - * - * - * | | | | | 55670 | | | 65141 | | 1174 |
| VGK2 - * - * - * - * - * | 55691 | 34789 | 56013 | 55704 | | | 21069 | 65068 | 9X-15202 | 1174 |
| VGK3 - * - * - * - * - * | | | | | | | 21069 | 65068 | 9X-15202 | 1174 |

| | | | | | | | | | | |
|-------------------------|-------|------|-------|-------|-------|-------|-------|-------|----------|------|
| V2 - * - * - * - * - * | | | | | | | | | | |
| V3 - * - * - * - * - * | | | | | | | | | | |
| VF2 - * - * - * - * - * | | | | | | 52788 | | 65141 | | 1174 |
| VF3 - * - * - * - * - * | | | | | 55670 | | | 65141 | | 1174 |
| VG2 - * - * - * - * - * | 70604 | 6053 | 56013 | 55704 | | | 21069 | 65068 | 9X-15202 | 1174 |
| VG3 - * - * - * - * - * | | | | | | | 21069 | 65068 | 9X-15202 | 1174 |

| | | | | | | | | | | |
|--------------------------|-------|-------|-------|-------|-------|-------|-------|-------|----------|------|
| VK2 - * - * - * - * - * | | | | | | | | | | |
| VK3 - * - * - * - * - * | | | | | | | | | | |
| VFK2 - * - * - * - * - * | | | | | | 52788 | | 65141 | | 1174 |
| VFK3 - * - * - * - * - * | | | | | 55670 | | | 65141 | | 1174 |
| VGK2 - * - * - * - * - * | 55691 | 34789 | 56013 | 55704 | | | 21069 | 65068 | 9X-15202 | 1174 |
| VGK3 - * - * - * - * - * | | | | | | | 21069 | 65068 | 9X-15202 | 1174 |

| | | | | | | | | | | |
|------------------------|---|---|----|----|---|----|----|---|----|----|
| QUANTITY PER ASSEMBLY | 1 | 1 | 1 | 1 | 1 | 6 | 1 | 1 | 6 | 6 |
| QUAN. PER 10 OVERHAULS | 6 | 1 | 10 | 12 | 0 | 24 | 12 | 0 | 36 | 24 |
| USAGE CODE | B | C | A | A | D | B | A | D | B | B |

USAGE CODE = A - FAST USAGE C - FAIR USAGE
B - MEDIUM USAGE D - SLOW USAGE