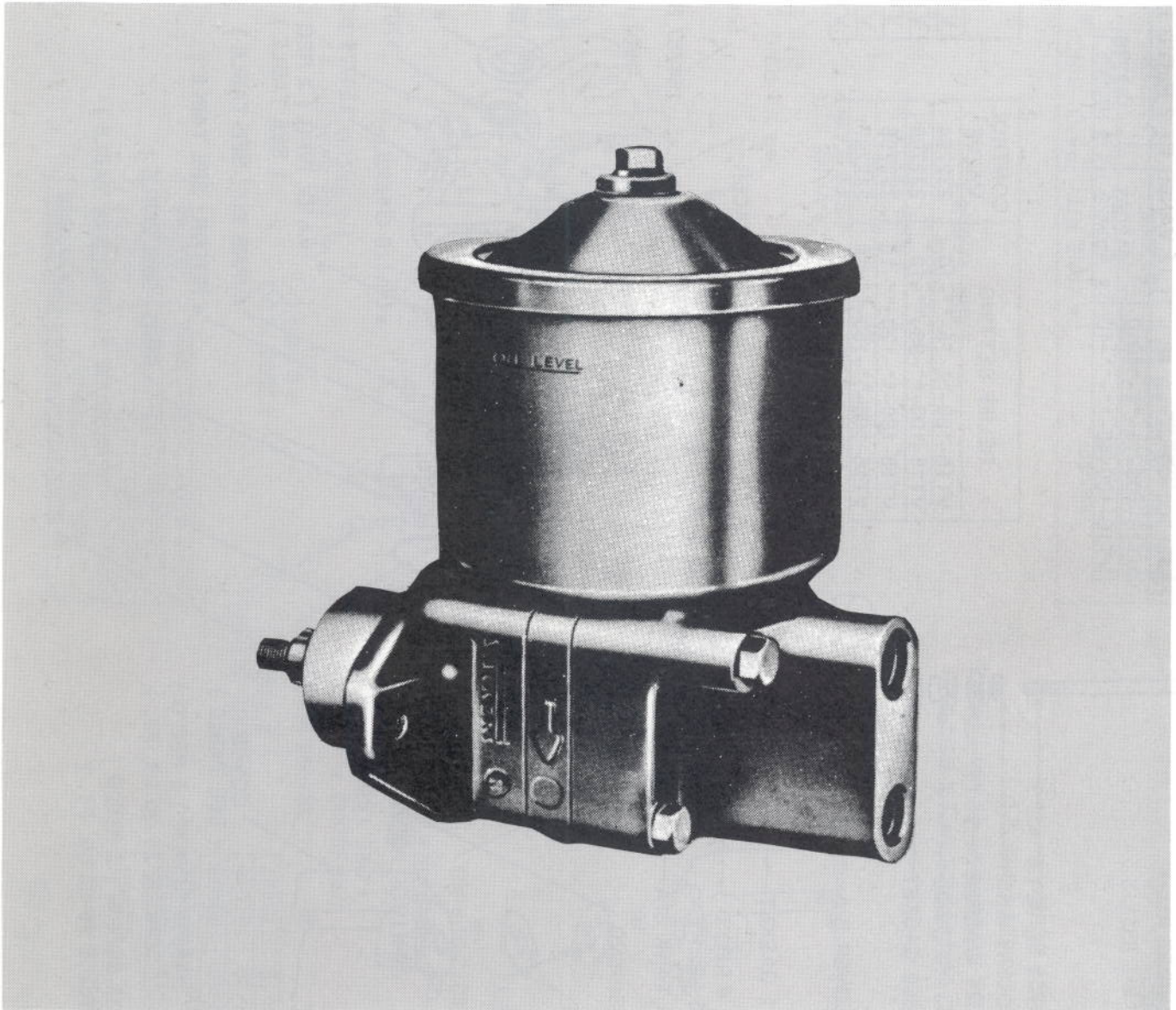


Power Steering Pumps

VT 16/17-100-**-**-**-10-(LH)



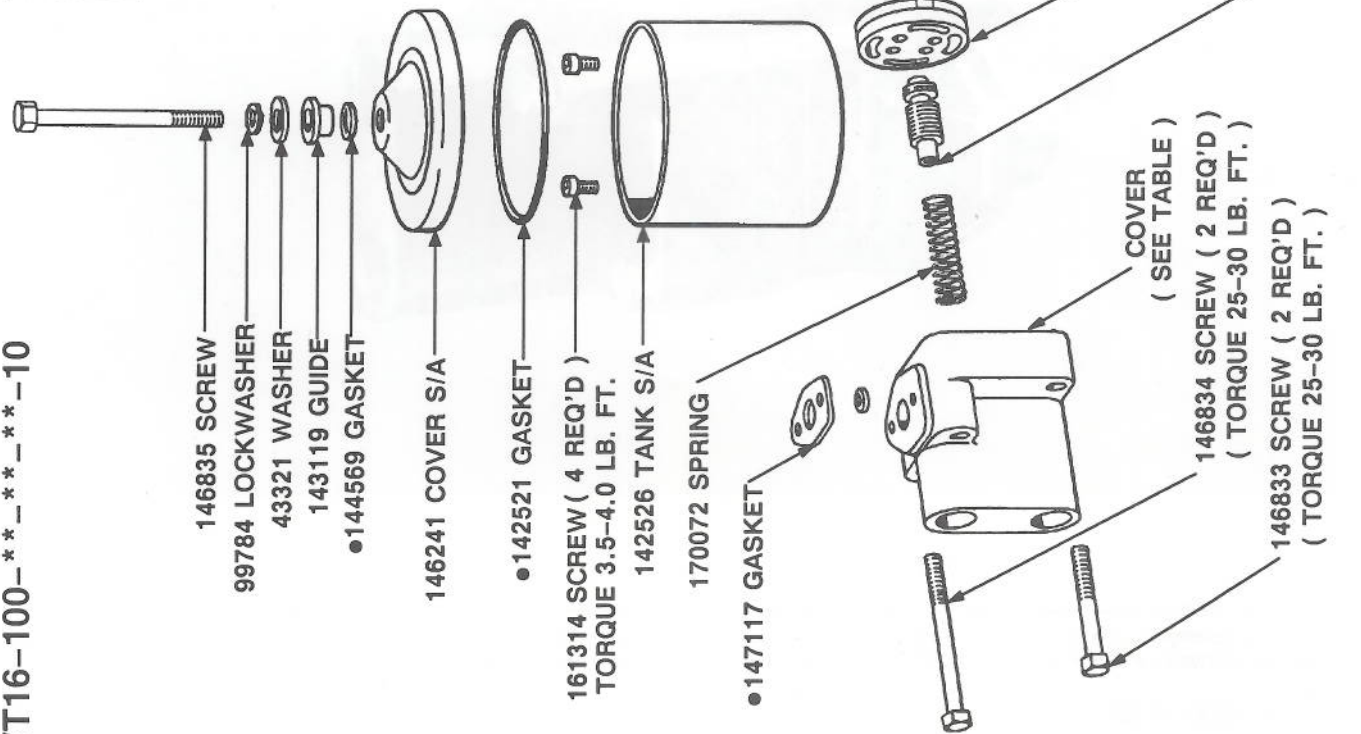
Vickers Incorporated
A TRINOVA Company
5445 Corporate Drive
P. O. Box 302
Troy, Michigan 48007-0302
U.S.A.

VT16-100-**-**-**-10

MODEL	▲ VANE KIT (12 VANES)	●▲ 'O' RING (2 REQ'D)	▲ ROTOR ▲ RING	CARTRIDGE KIT
VT16-100-15-**-**-10	912008	143216	141393	143557 141395
VT16-100-40-**-**-10				912054 912059

RELIEF SETTING	CONTROL VALVE	CONTROLLED FLOW RATE	COVER
VT16-100-**-75-**-10	232794	VT16-100-**-**-15-10	168422
VT16-100-**-95-**-10	232795	VT16-100-**-**-25-10	172928
VT16-100-**-120-**-10	232796	VT16-100-**-**-30-10	169035
VT16-100-**-150-**-10	232797	VT16-100-**-**-40-10	151016
		VT16-100-**-**-50-10	170427

RELIEF SETTING	CONTROL VALVE
VT16-100-**-75-**-10	232794
VT16-100-**-95-**-10	232795
VT16-100-**-120-**-10	232796
VT16-100-**-150-**-10	232797



PRESSURE PLATE	SHAFT ROTATION
155109	RIGHT HAND
158656	LEFT HAND
VIEWED FROM SHAFT END	

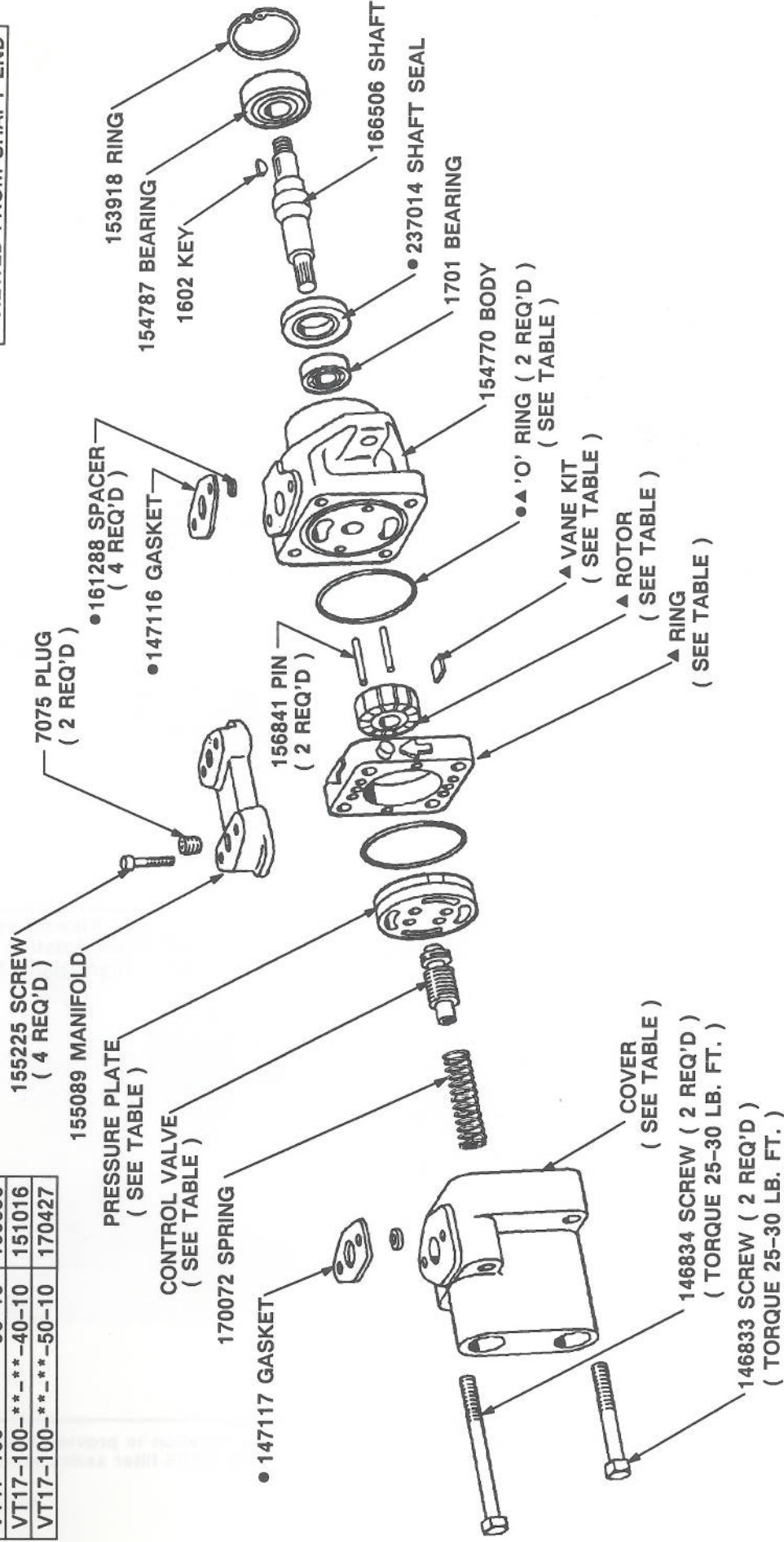
- INCLUDED IN SEAL KIT 922712
- ▲ INCLUDED IN CARTRIDGE KIT

VT17-100-**-**-**-10

CONTROLLED FLOW RATE	COVER
VT17-100-**-**-15-10	168422
VT17-100-**-**-25-10	172928
VT17-100-**-**-30-10	169035
VT17-100-**-**-40-10	151016
VT17-100-**-**-50-10	170427

RELIEF SETTING	CONTROL VALVE
VT17-100-**-75-**-10	232794
VT17-100-**-95-**-10	232795
VT17-100-**-120-**-10	232796

PRESSURE PLATE	SHAFT ROTATION
155109	RIGHT HAND
158656	LEFT HAND
VIEWED FROM SHAFT END	



MODEL	▲ VANE KIT (12 VANES)	● O' RING (2 REQ'D)	▲ ROTOR	▲ RING	CARTRIDGE KIT
VT17-100-15-**-**-10	912008	143216	141393	143557	912054
VT17-100-40-**-**-10				141395	912059

● INCLUDED IN SEAL KIT 922712
 ▲ INCLUDED IN CARTRIDGE KIT

MODEL CODE BREAKDOWN

VT **1*** **100** ****** ****** ****** **10** ******
1 **2** **3** **4** **5** **6** **7** **8**

1 _____ **VANE TYPE**

5 _____ **RELIEF VALVE SETTING**

75 - 750 PSI
 95 - 950 PSI
 120 - 1200 PSI
 150 - 1500 PSI

2 _____ **OPTIONS**

16 - With Reservoir
 17 - With Manifold

6 _____ **CONTROLLED FLOW**

15 - 1.5 GPM
 25 - 2.5 GPM
 30 - 3.0 GPM
 40 - 4.0 GPM
 50 - 5.0 GPM

3 _____ **SERIES**

7 _____ **DESIGN**

4 _____ **US GPM CAPACITY**

15 - 1.5 GPM
 25 - 2.5 GPM
 40 - 4.0 GPM

8 _____ **ROTATION**

(Viewed From Cover End)
 LH - Left Hand Rotation
 OMITTED - Right Hand Rotation

For satisfactory service life of these components, use full flow filtration to provide fluid which meets ISO cleanliness code 18/15 or cleaner. Selections from OFP, OFR and OFRS filter series are recommended.